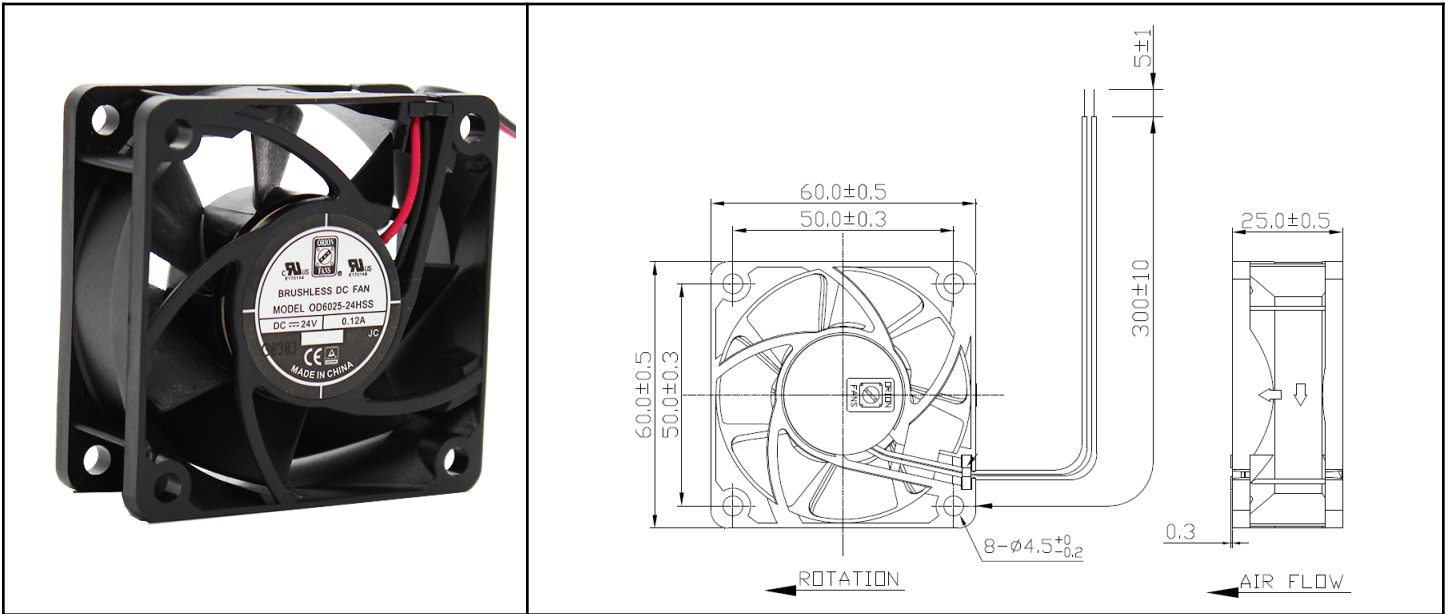


OD6025 Sealed Sleeve Series



DC Fan - 12, 24V
60x25mm (2.36"x 1.0")



Frame & Impeller	PBT, UL94V-O plastic	Available Options: Sleeve Bearing Ball Bearing Tachometer Alarm IP55 48V & 5V <u>Life Expectancy (L10)</u> 40,000 hrs (40C) <u>Operating Temperature</u> -10 ~ 70C	
Connection	2x Lead wires 24AWG		
Motor	Brushless DC, auto restart, polarity protected		
Bearing System	Sealed Sleeve		
Insulation Resistance	10M ohm between leadwire and frame (500VDC)		
Dielectric Strength	1 second at 500 VAC, max leakage - 500 MicroAmp		

Model Number	OD6025-12HSS	OD6025-24HSS
Part Number	163143001	163243001
Nominal Voltage	12 VDC	24 VDC
Nominal Current	0.23A	0.12A
Rated Power	2.8W	2.9W
Rated Speed (RPM)	4500	4500
Airflow (CFM)	23	23
Noise Level (dB)	33	33
Max. Static Pressure	0.25" H2O	0.25" H2O

Mouser Electronics

Authorized Distributor

Click to View Pricing, Inventory, Delivery & Lifecycle Information:

[Orion Fans:](#)

[OD6025-12HSS](#) [OD6025-24HSS](#)