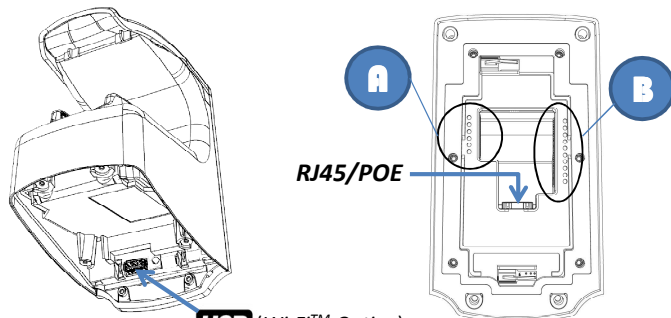


MorphoAccess® VP Series

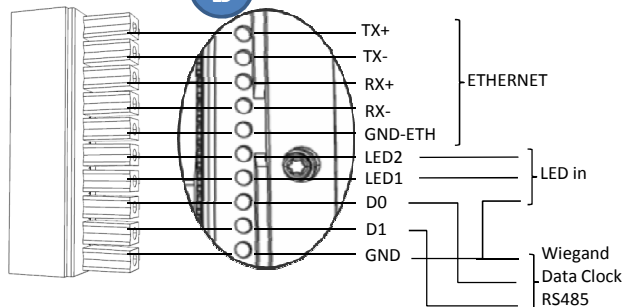
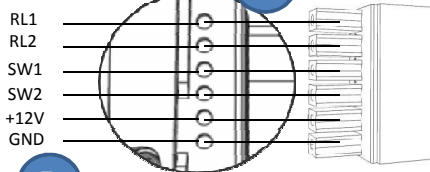
Quick Installation Guide



USB (Wi-Fi™ Option)



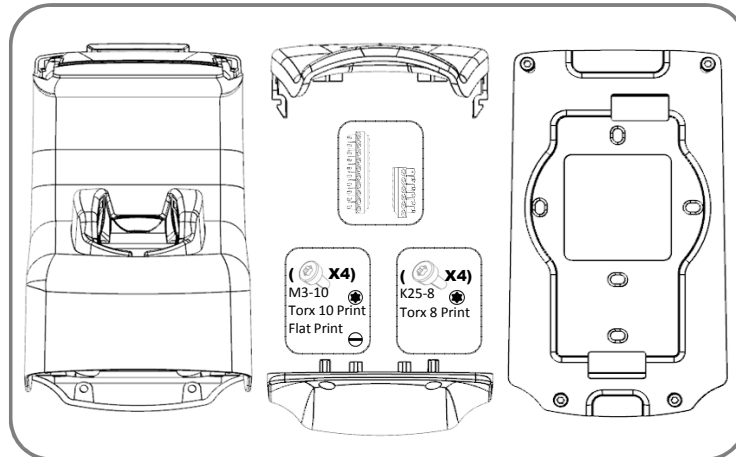
RELAY SWITCH
TAMPER SWITCH
+12V DC
POWER SUPPLY
USELESS WITH POE

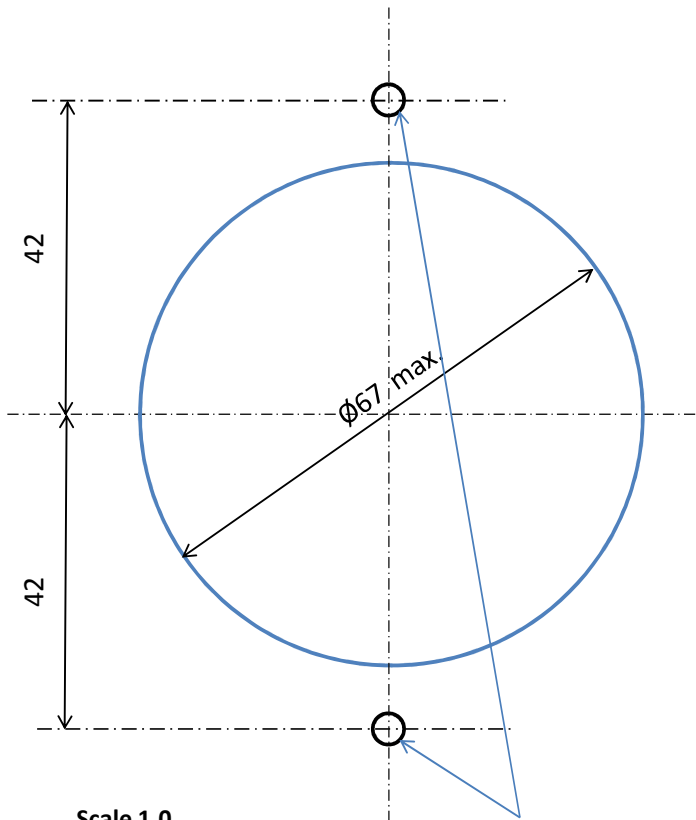


Detailed instructions are available at
Des instructions détaillées sont disponibles sur
El detalle de las instrucciones está disponible en

www.biometric-terminals.com

2935591389 - C





Scale 1.0

Recommended screws:
(x2) $\text{Ø}3.5 \times 30$

Raw plugs and screws not supplied

