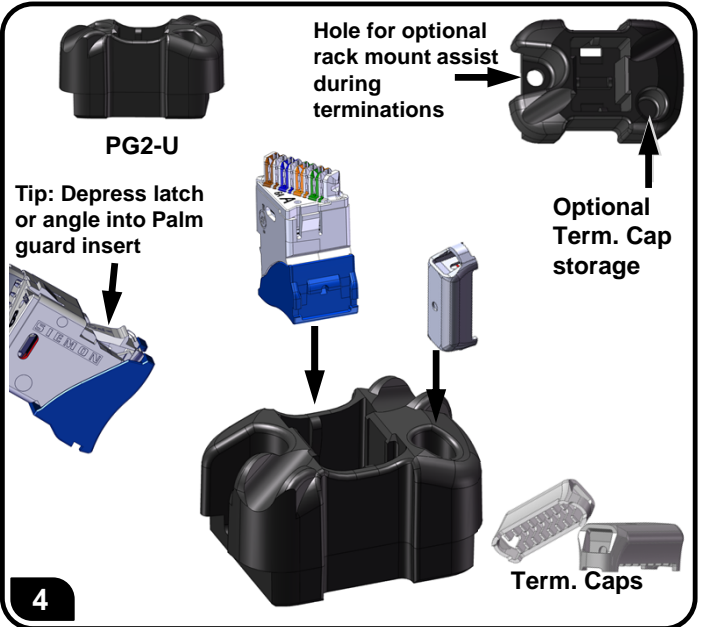
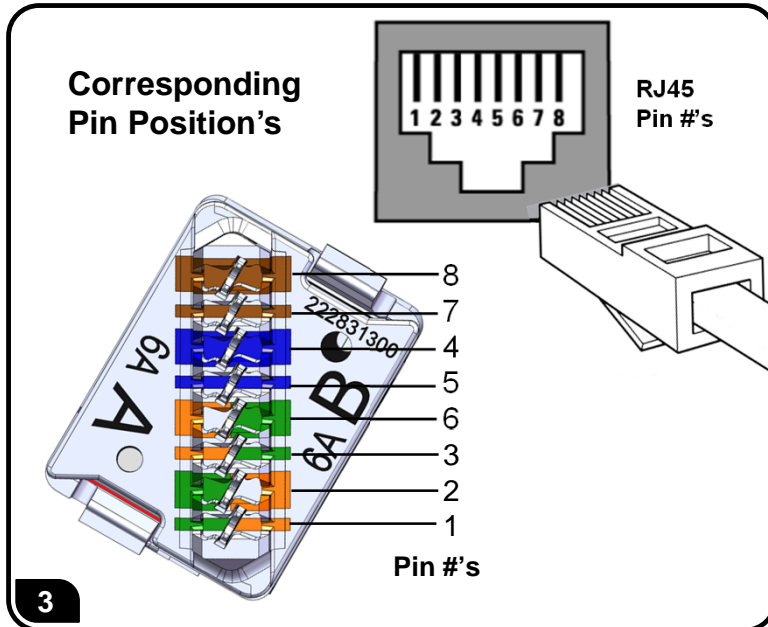
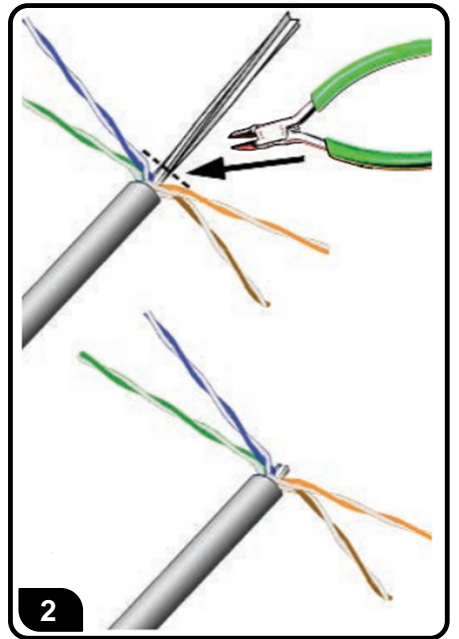
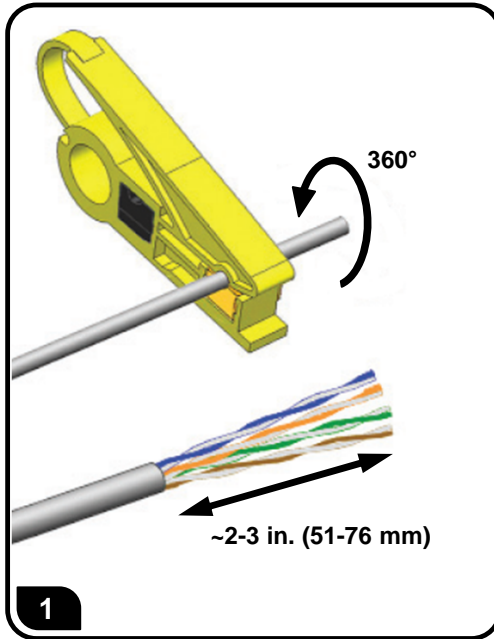
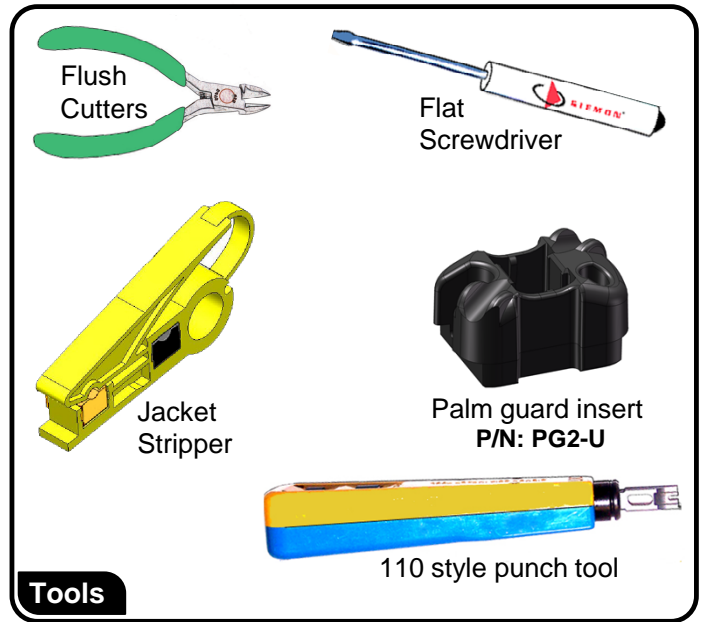
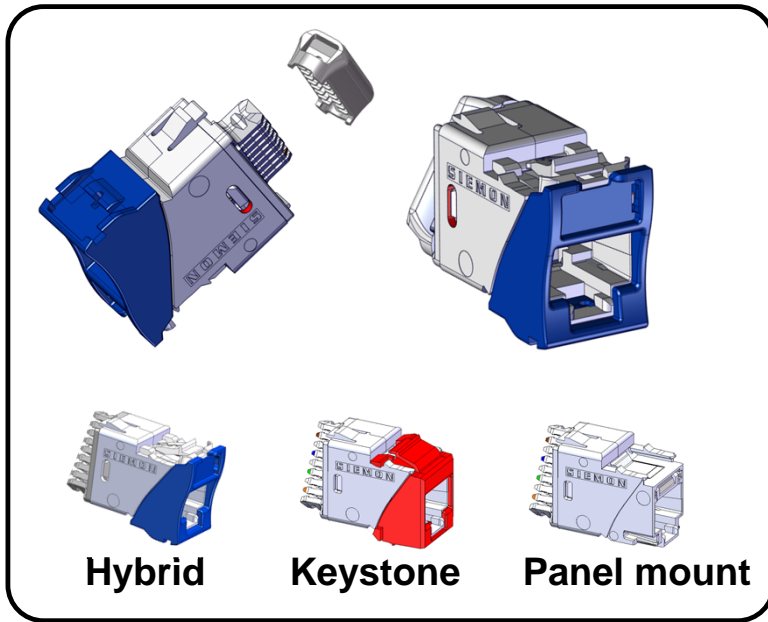
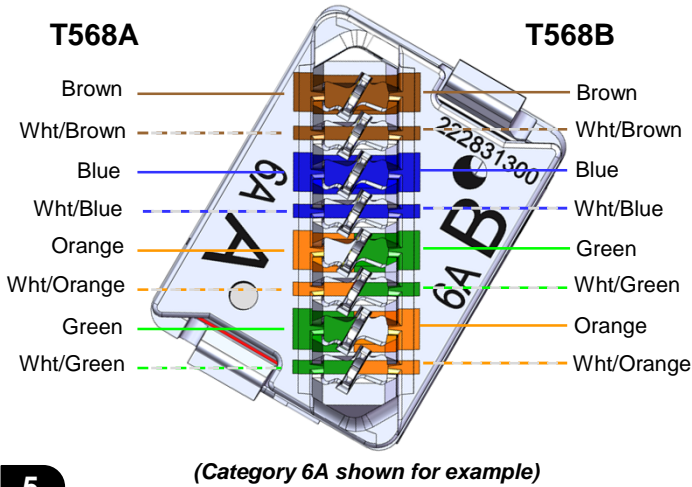


# UltraMAX™ Outlet Termination Instructions



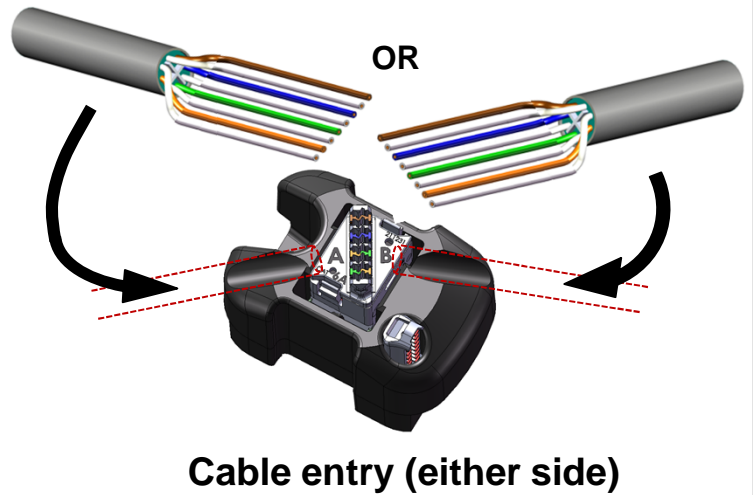
# UltraMAX™ Outlet Termination Instructions

## Wire scheme color mapping



5

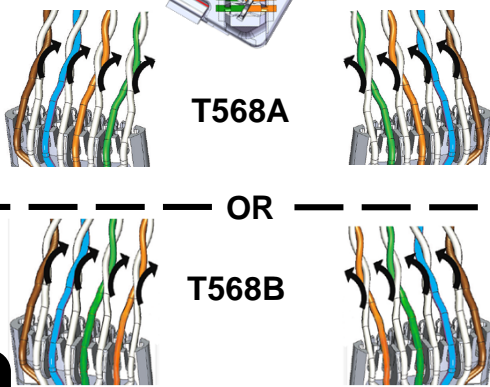
## Installers preference



6

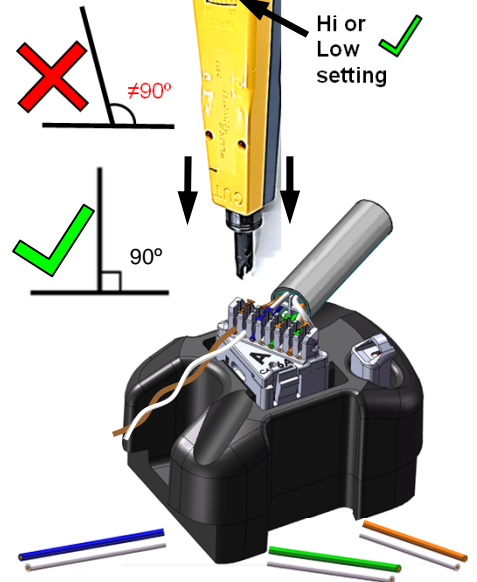
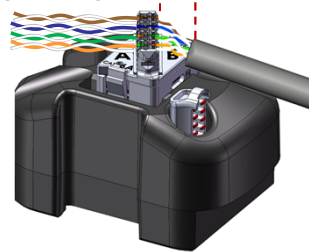
## Installers preference

Left side entry OR Right side entry



7

$\leq \frac{1}{2}$  in. (13mm)

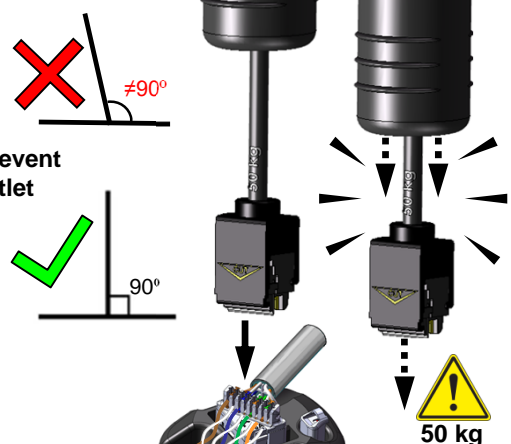


8

For use in place of 110 tool. Recommended primarily for loaded UltraMAX patch panels but can use with palm guard insert on flat surface



Align tool properly to prevent miss-terminations or outlet damage

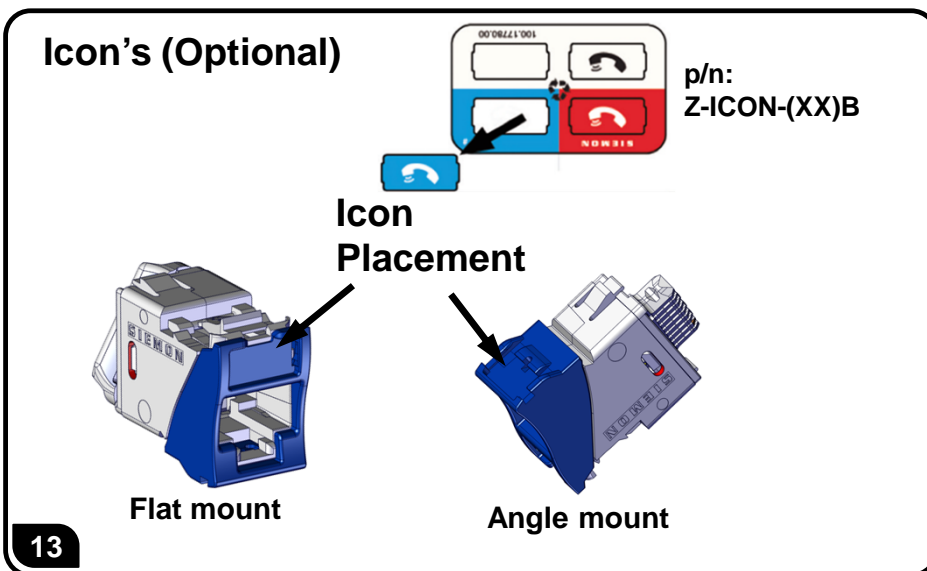
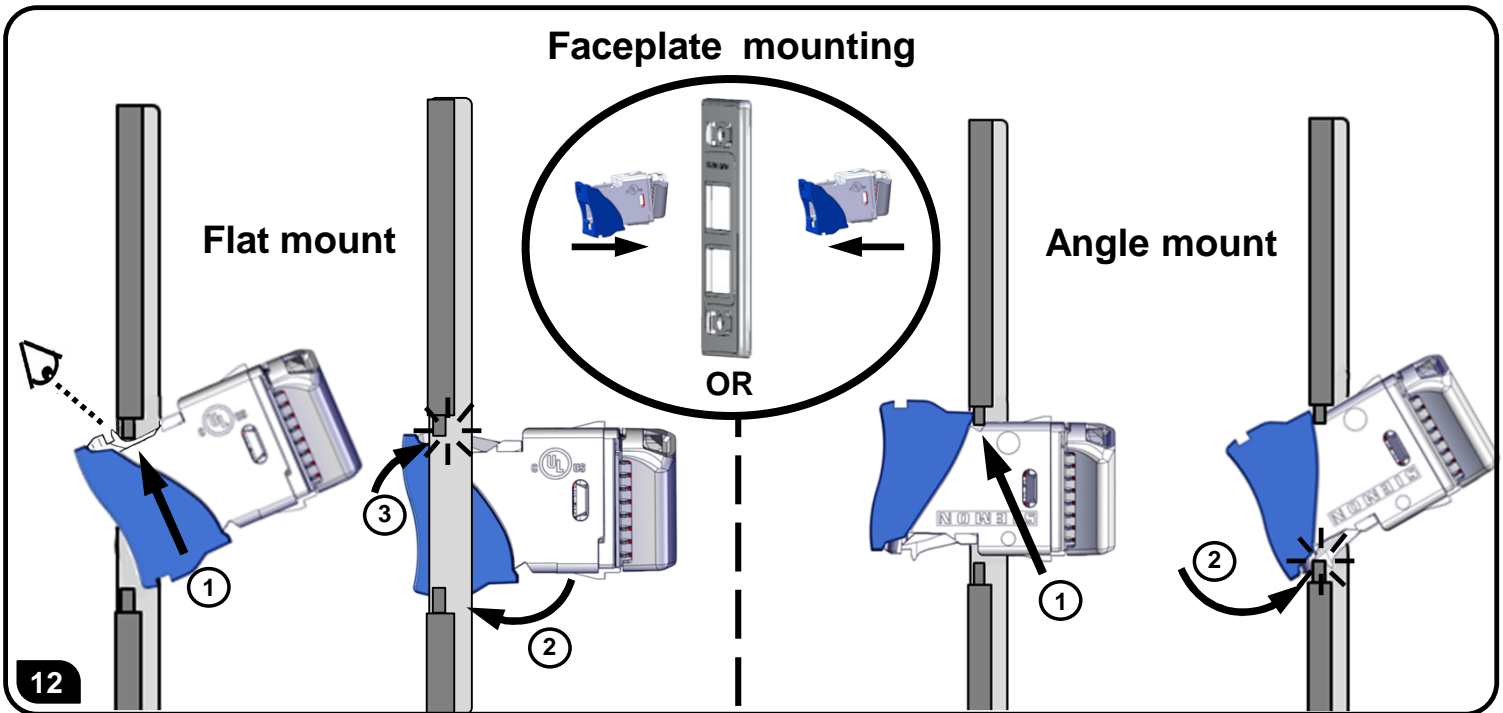
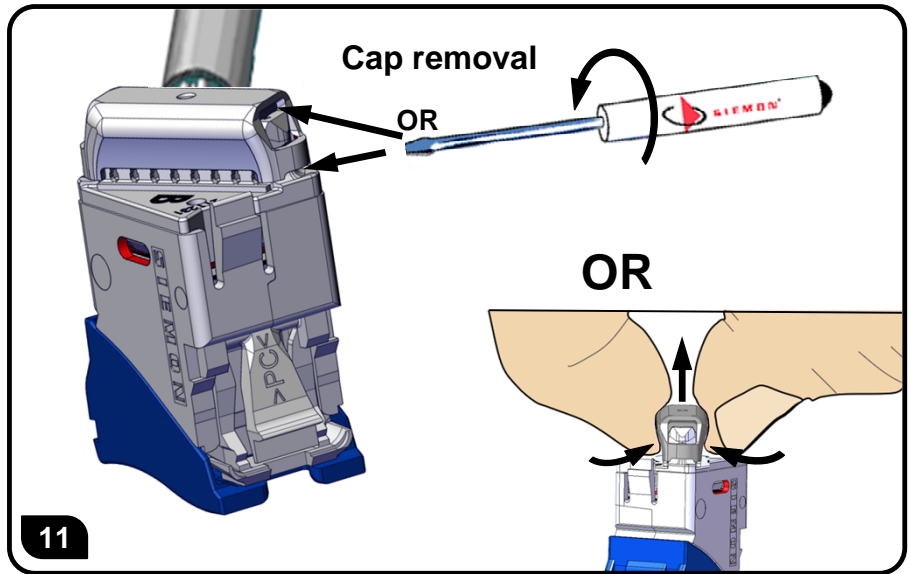
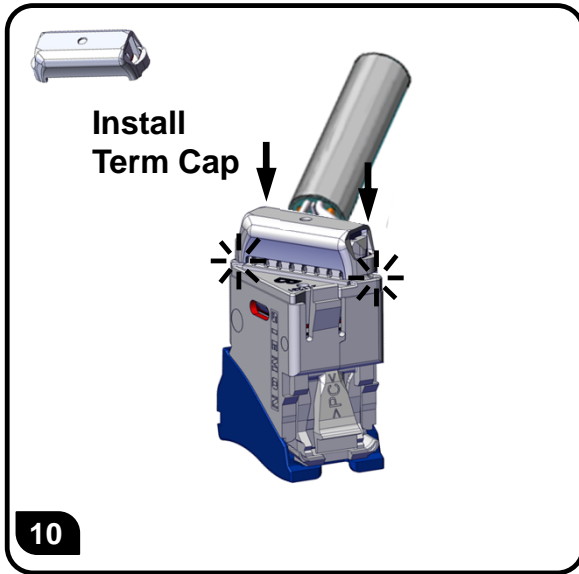


Required: PG2-U on flat stable surface

9

Optional UltraMAX 4-pair Impact Tool

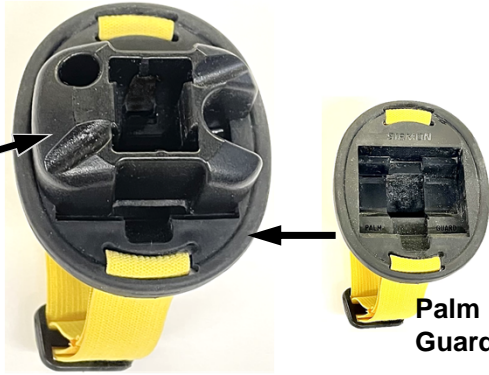
# UltraMAX™ Outlet Termination Instructions



# UltraMAX™ Outlet Termination Instructions



UltraMAX  
Insert  
p/n: **PG2-U**



Palm Guard-2  
p/n: **PG2**



Palm  
Guard

**Part Numbers:**

**PG2** - Palm Guard (optional) with UltraMAX insert

**PG2-U** - UltraMAX insert only

**Related products**

For related termination videos  
and termination instructions  
with UltraMAX products go to:



<https://www.siemon.com>

**To assist safe installations, comply with the following:**

- A. Use caution when installing or modifying telecommunications circuits.
- B. Never touch uninsulated wire terminals unless the circuit has been disconnected.
- C. Never install this device in a wet location.
- D. Never install wiring during a lightning storm.

**Lors de l'installation, respectez les consignes de sécurité suivantes:**

- A. Utiliser avec prudence lors de l'installation ou de la modification circuits de télécommunications.
- B. Ne jamais toucher les bornes de fil métallique non isolés sauf si le circuit a été débranché.
- C. Ne jamais installer cet appareil dans un endroit humide.
- D. Ne jamais installer pendant un orage.

To ensure you have the latest  
revision to this document, please visit: [www.siemon.com](http://www.siemon.com)



Global Headquarters  
Watertown, Connecticut USA  
Tel: (1) 866-548-5814

For a complete listing of our global offices visit our web site