

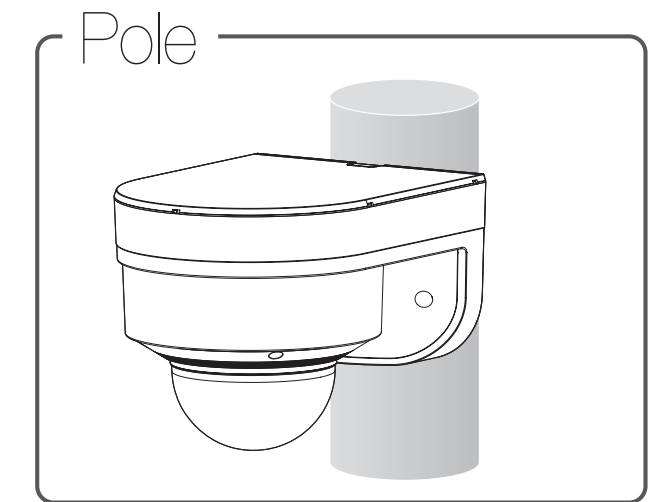
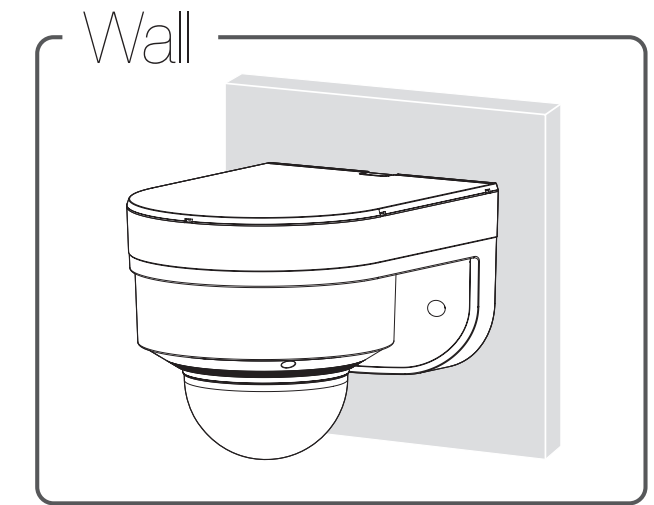
Wall&Pole Mount

SBP-160WMW1
 SBP-140WMW
 SBP-125WMW1

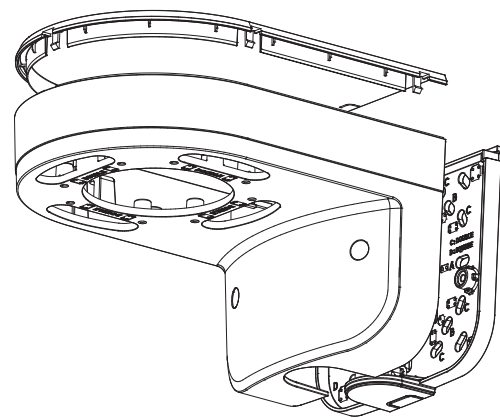


Installation Precautions

- Make sure that the installation place can endure at least 4 times of the total weight of the Wall&Pole Mount and Camera.
- Each anchor screw must be capable of withstanding an extraction force of 700 kg.
- We recommend to use this mount to install indoor because this model does not support waterproof. When installed outdoor, then please treat the connected cable waterproof. (More detailed cable waterproof guideline is remarked in camera user manual)



Package

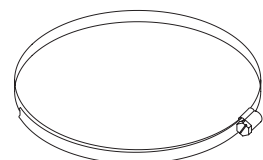


WALL&POLE MOUNT



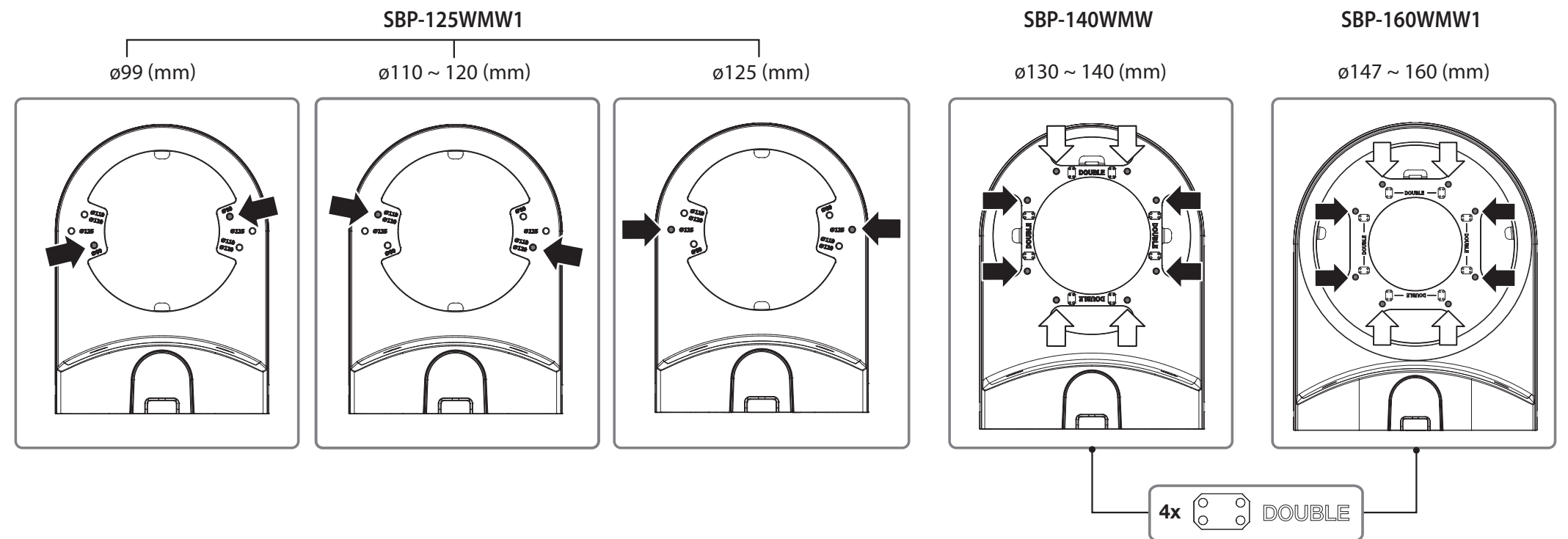
SBP-160WMW1 (4EA)
 SBP-140WMW (4EA)
 SBP-125WMW1 (2EA)

Optional Accessory

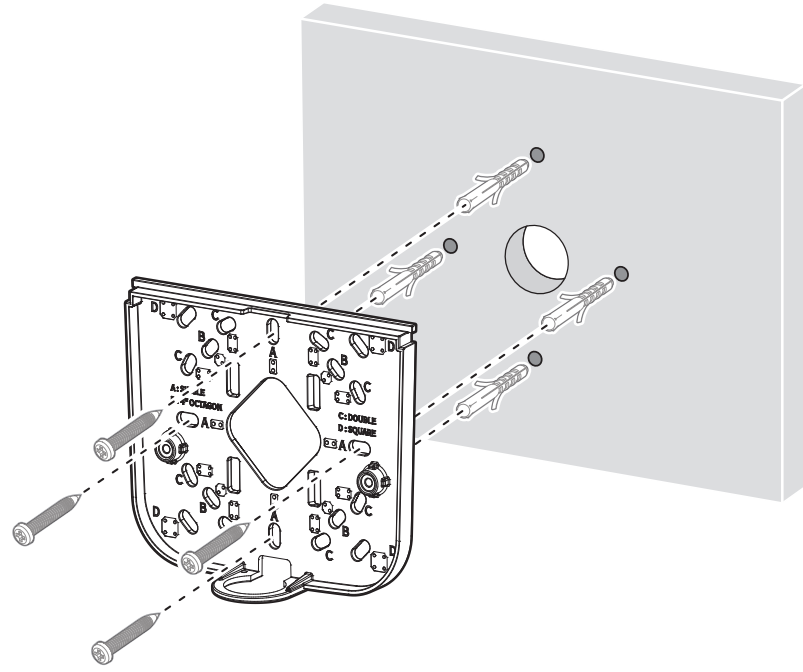


Steel Strap
 (ø80~ø160)

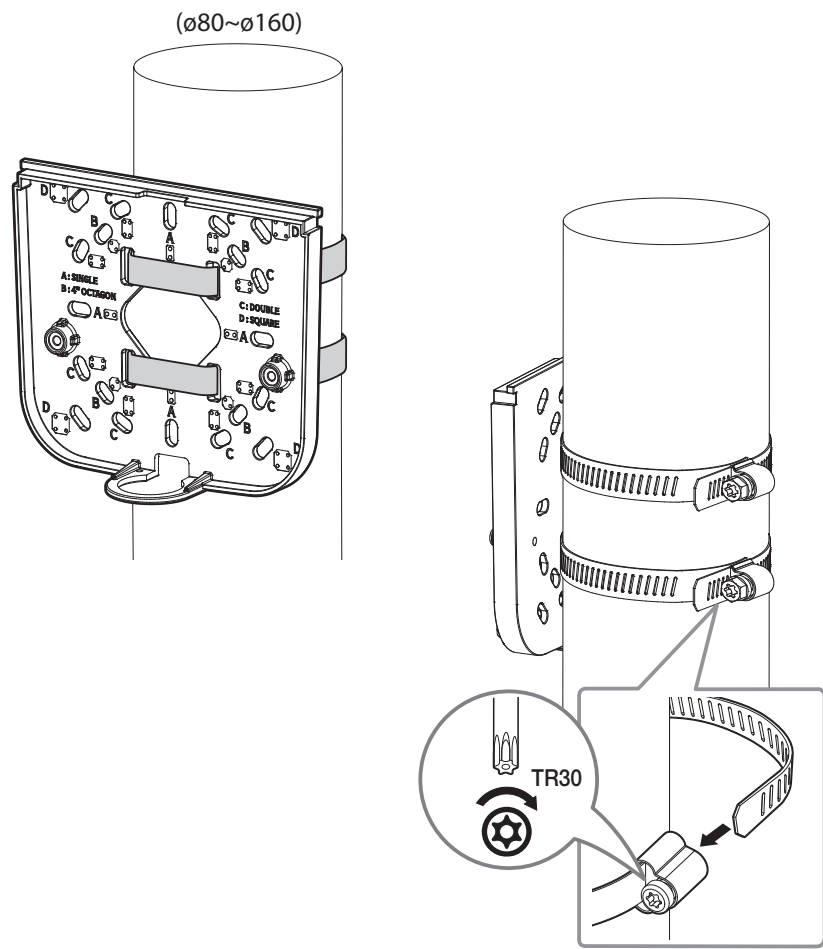
Mounting Hole by Camera Size



1 (Wall)

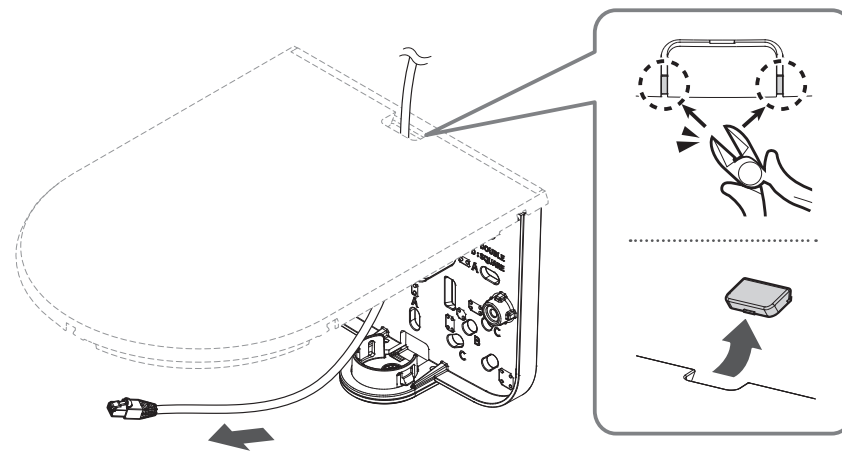


(Pole)

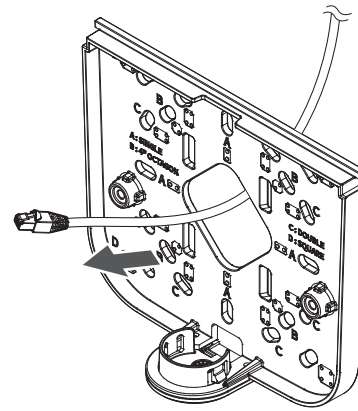


2

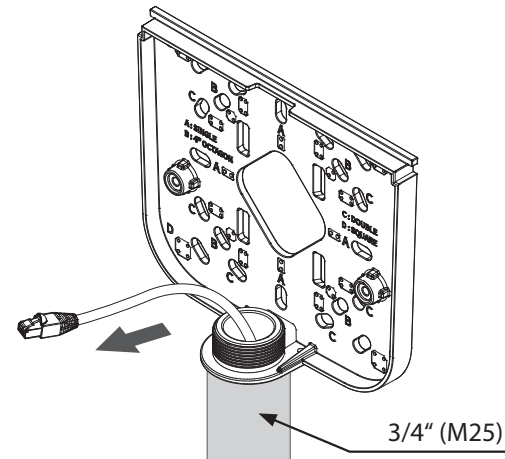
A



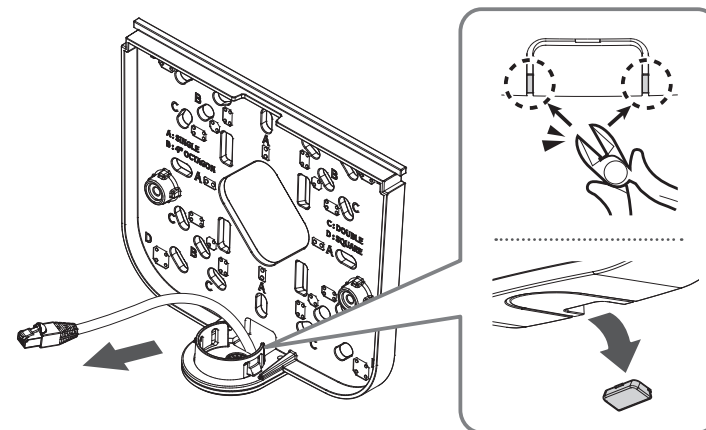
B



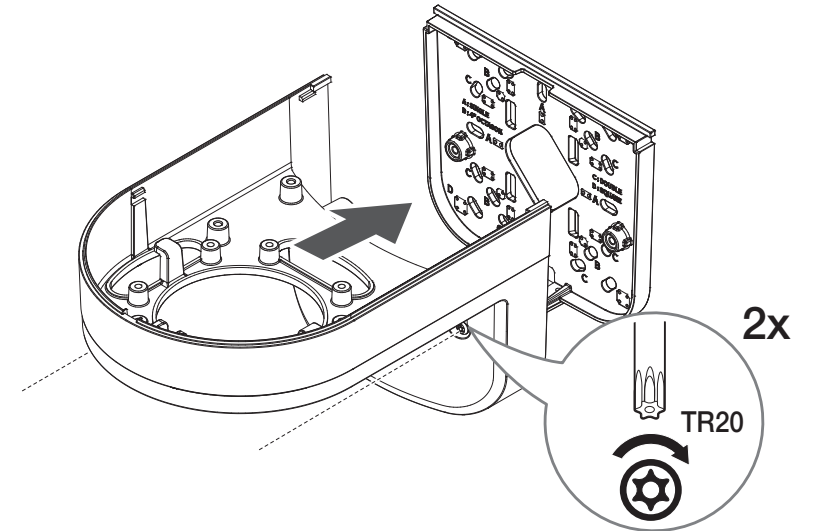
C



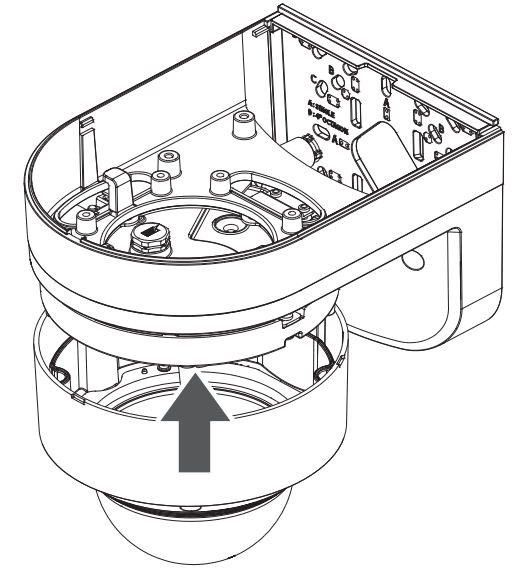
D



3



4



5

