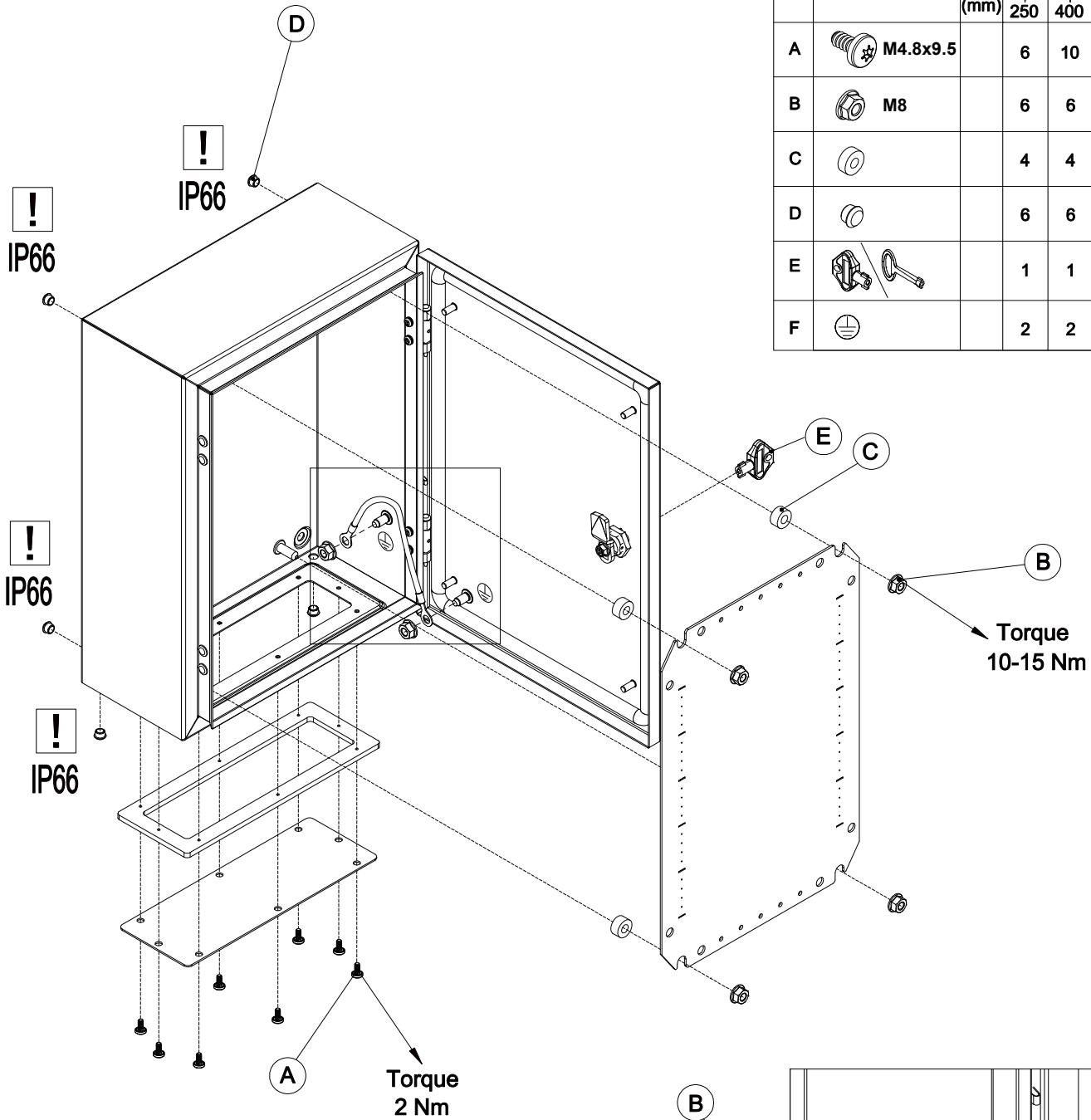




MAS

Ref.	Pic.	H (mm)	200	200	300	1000	600	1000
			350	800	800	1200	800	1200
			W (mm)	150	300	500	600	800
A	M4.8x9.5		6	10	14	14	20	20
B	M8		6	6	6	8	6	8
C			4	4	4	6	4	6
D			6	6	6	6	6	6
E			1	1	1	1	1	1
F			2	2	2	2	2	2



WARNING: When mounting on or over a combustible surface, a floor plate of at least 1.43 mm galvanized or 1.6 mm uncoated steel extended at least 150 mm beyond the equipment on all sides must be installed.

WARNING: In order to maintain the environmental integrity of the enclosure, devices with the same environmental ratings shall be used to close openings in customized enclosure.

