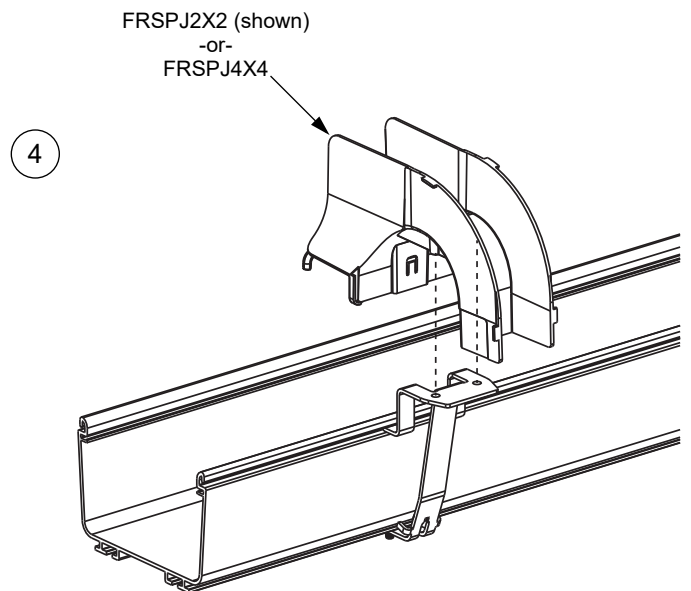
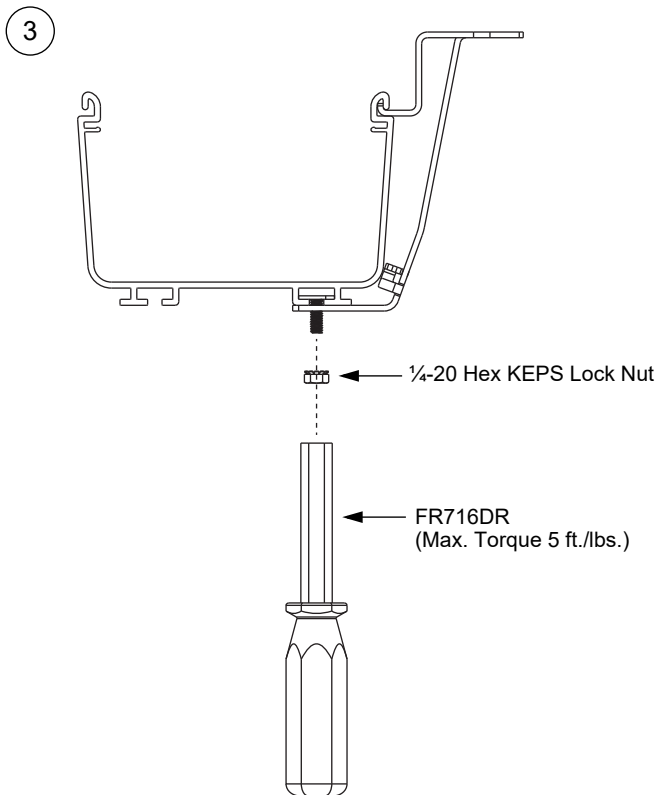
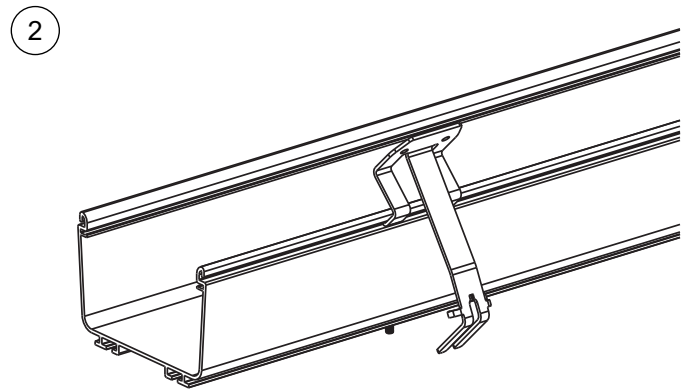
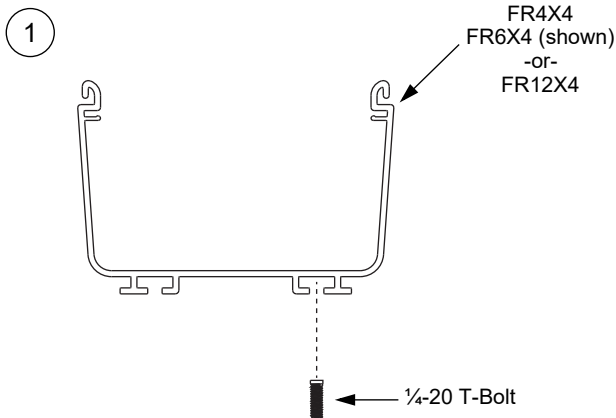
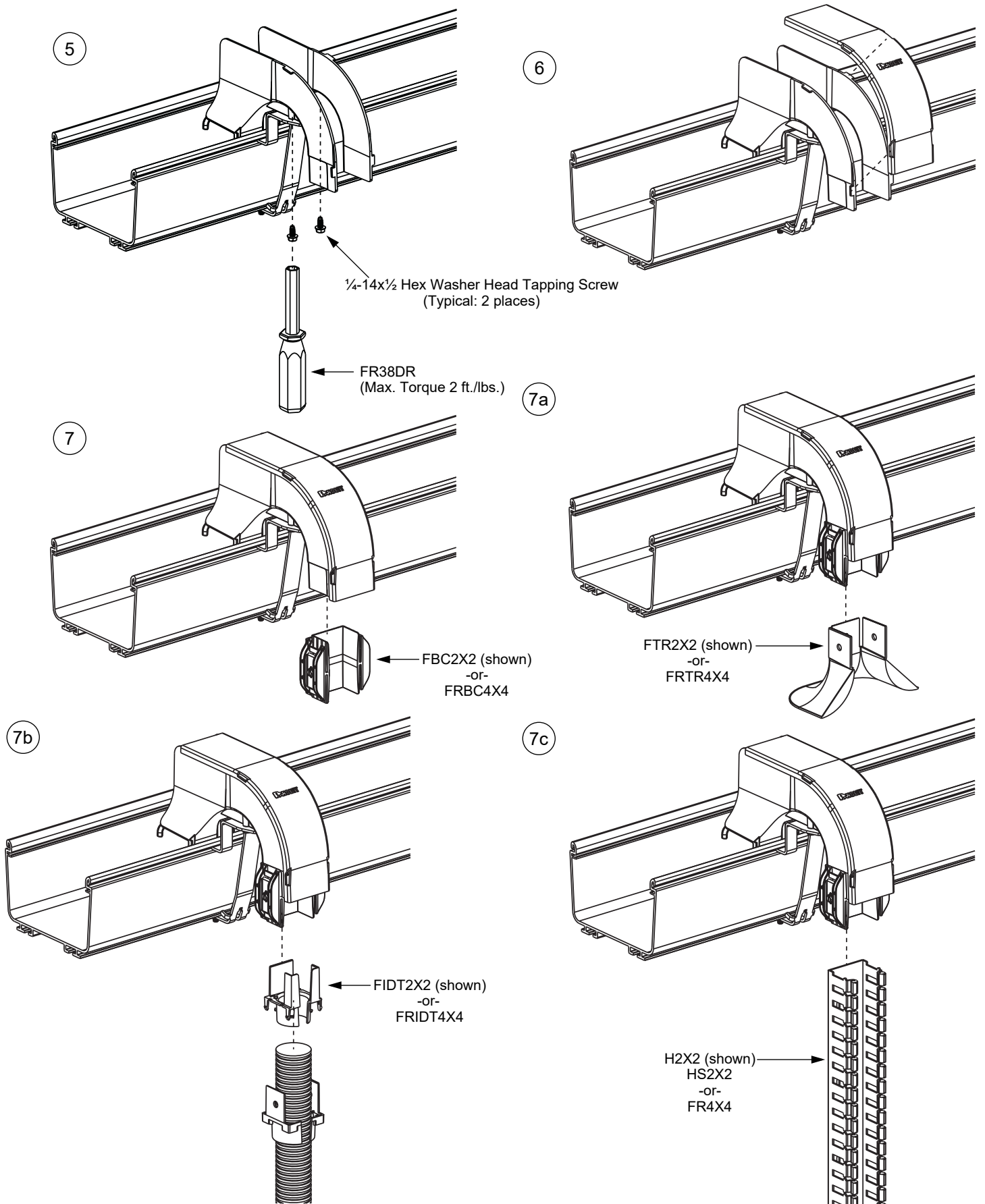


FIBERRUNNER Spill-Over Junction - Typical Installation

(FIBERRUNNER 4x4, 6x4 and 12x4 only)



FIBERRUNNER Spill-Over Junction - Typical Installation continued...

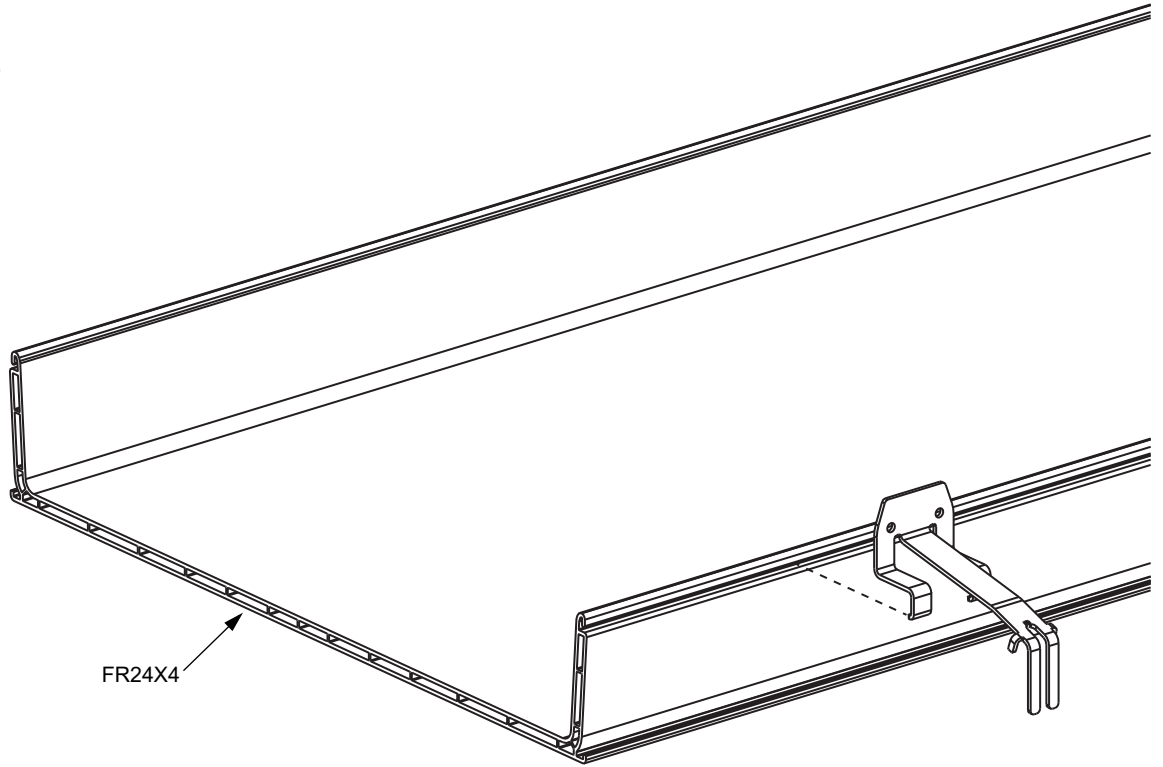


For Technical Support: www.panduit.com/resources/install_maintain.asp

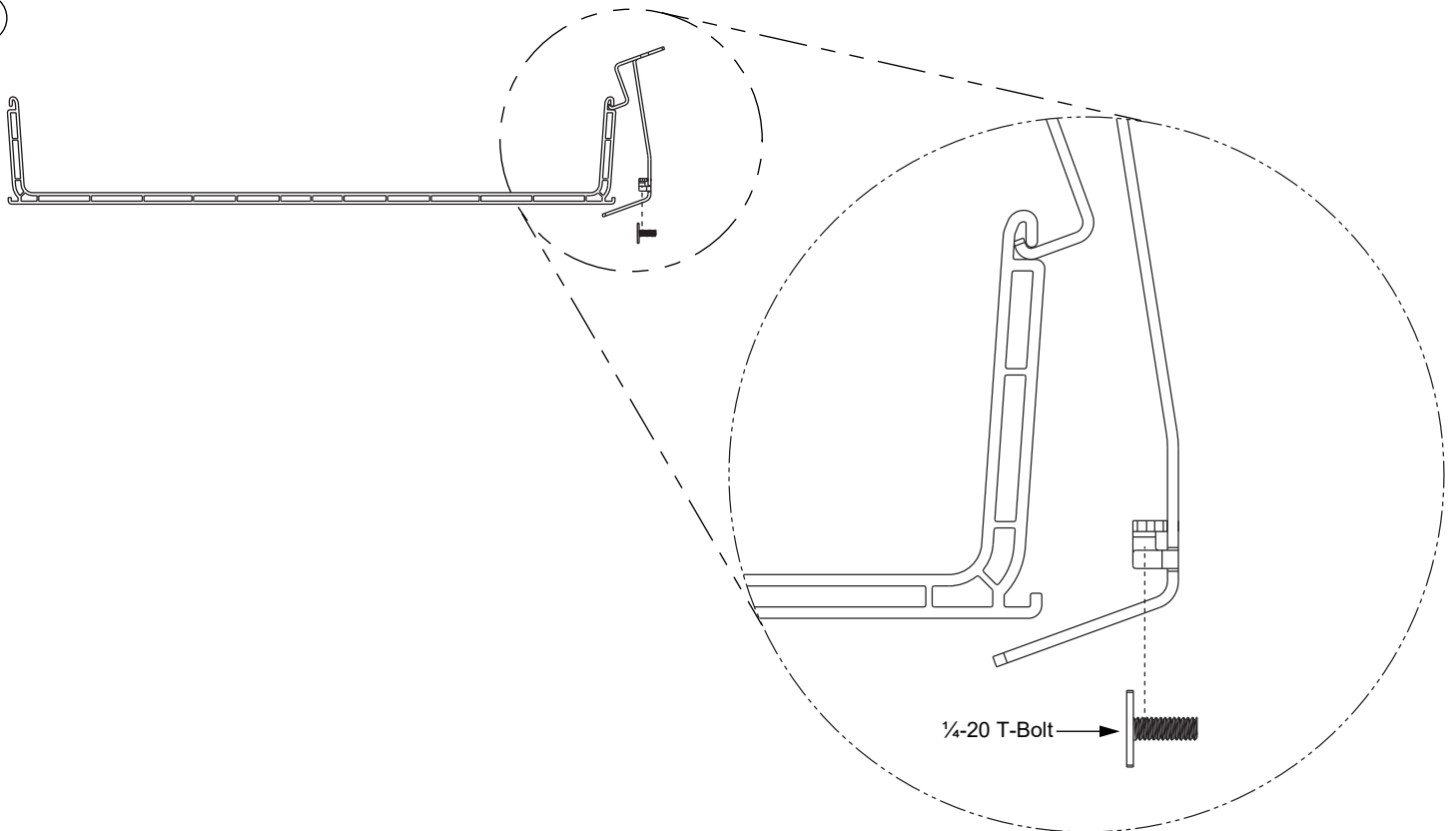
FIBERRUNNER Spill-Over Junction - Typical Installation

(FIBERRUNNER 24x4 only)

1



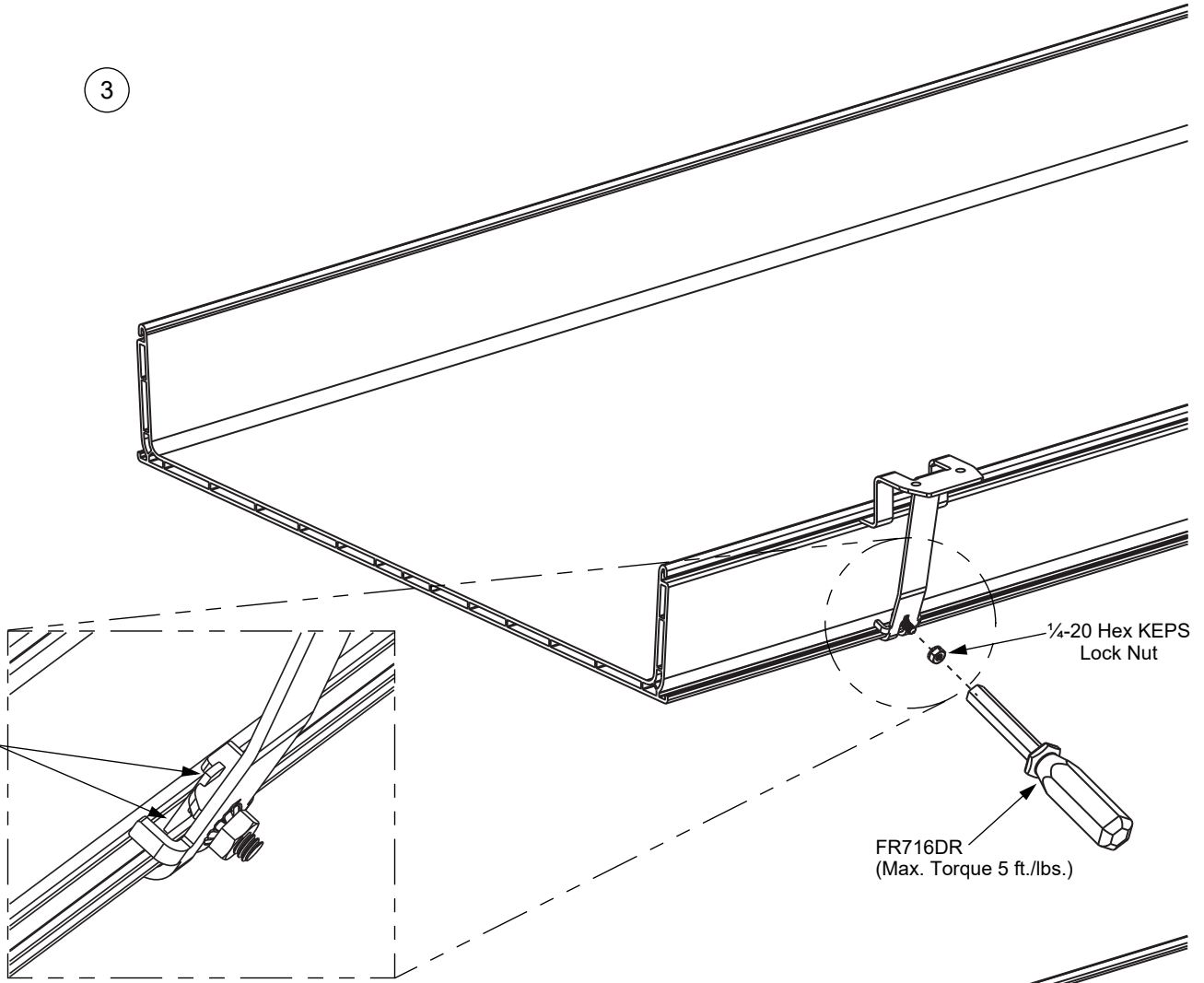
2



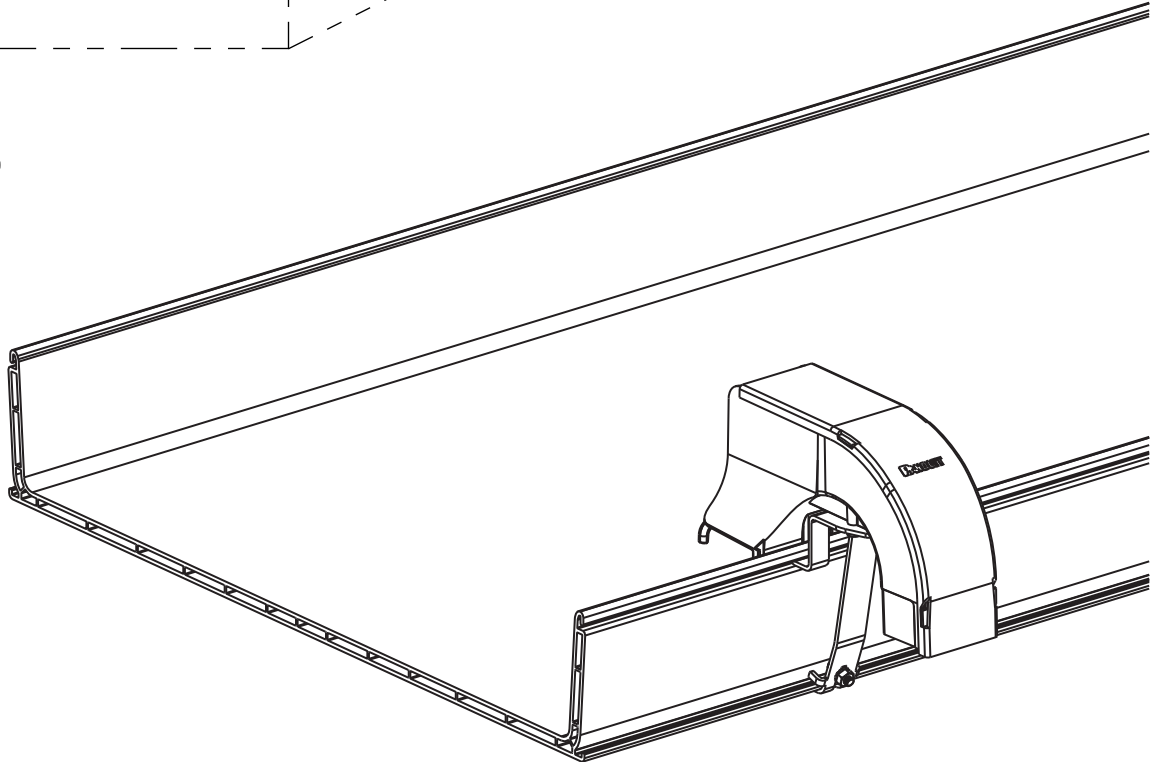
FIBERRUNNER Spill-Over Junction - Typical Installation continued...

3

Head of T-Bolt to be completely seated flush against Support Bracket and flange on Channel

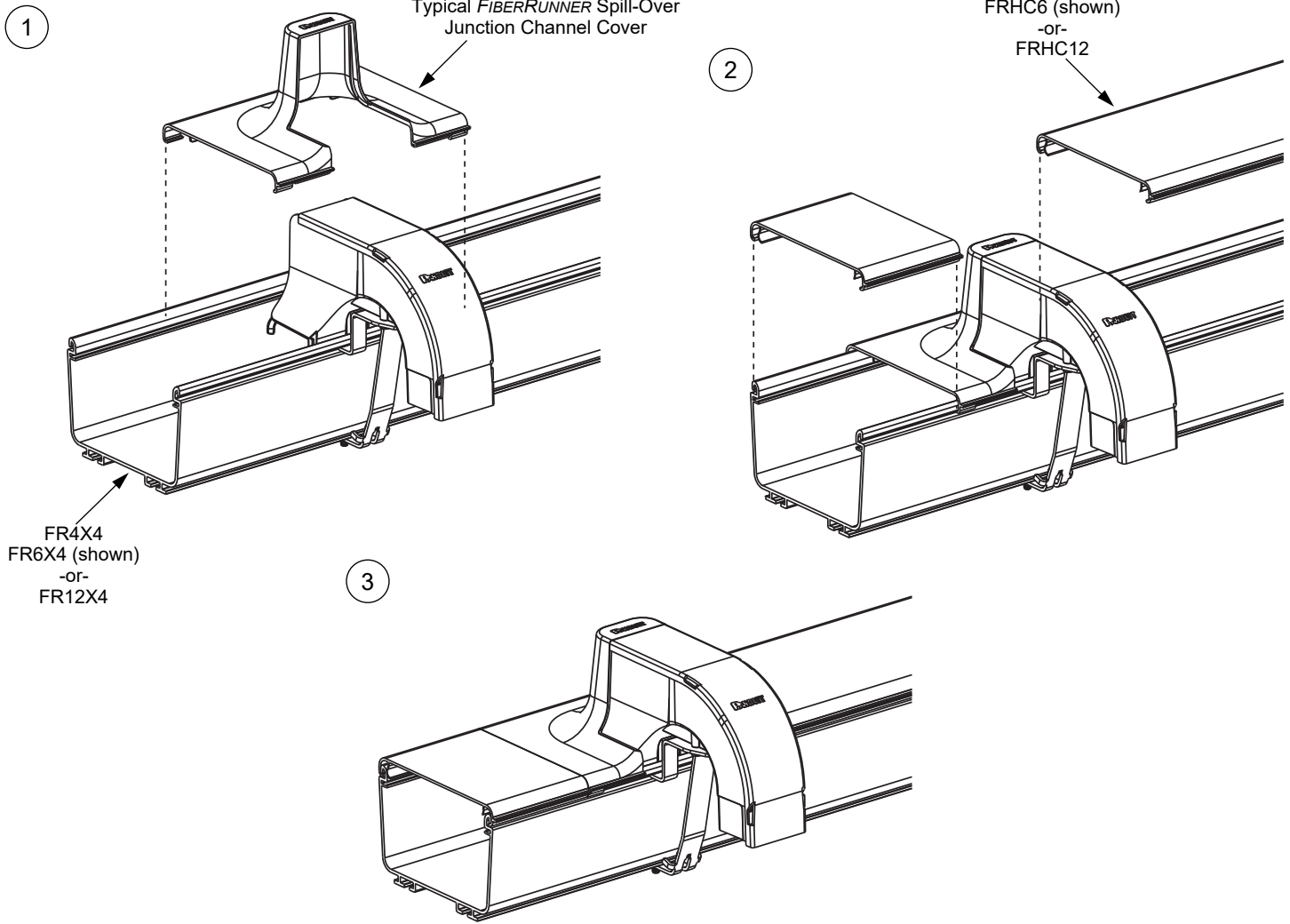


4

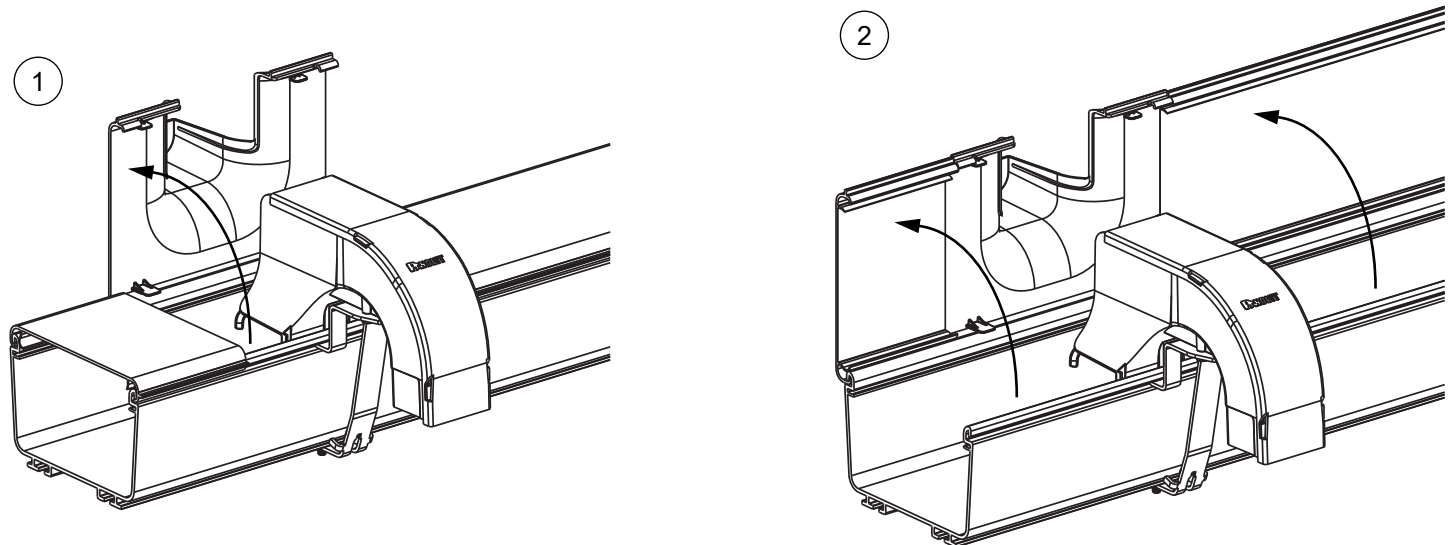


FIBERRUNNER Spill-Over Junction Channel Cover - Typical Installation

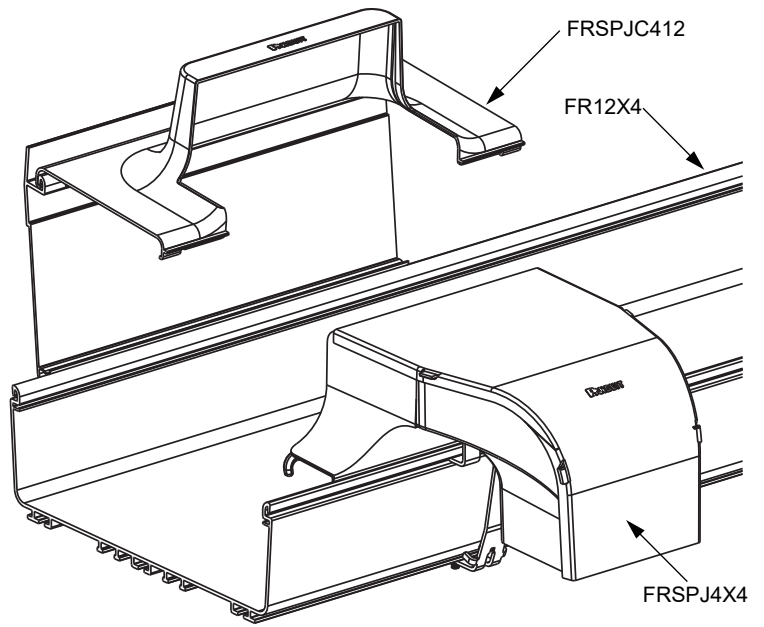
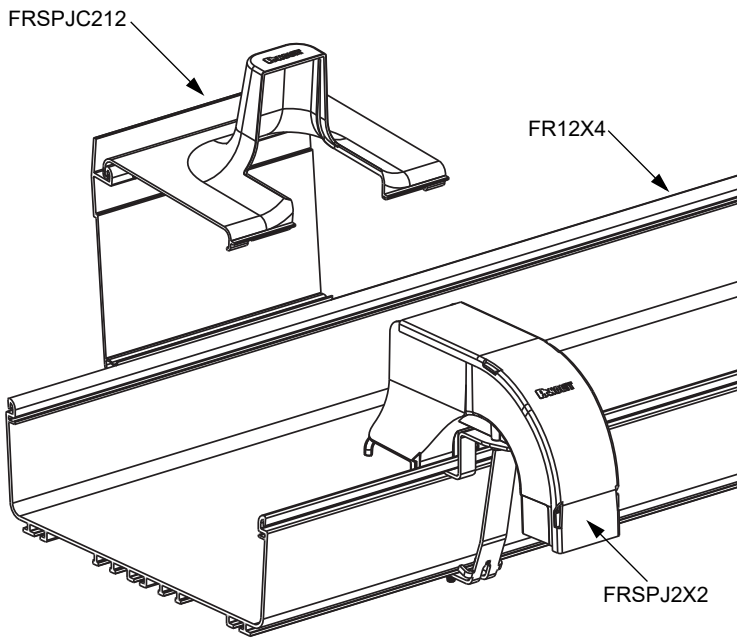
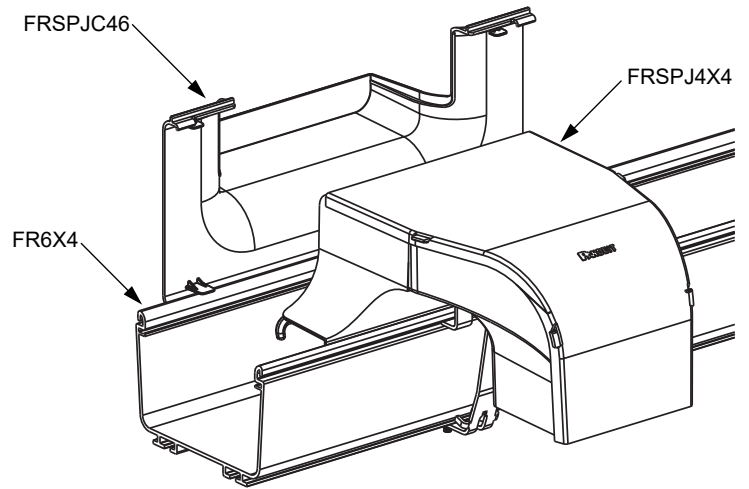
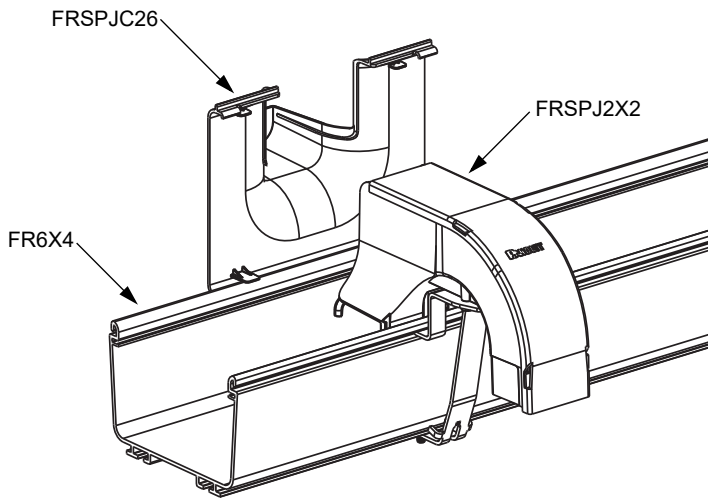
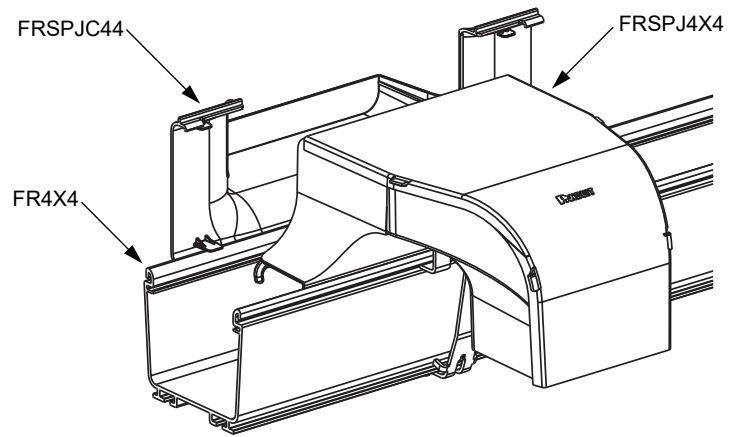
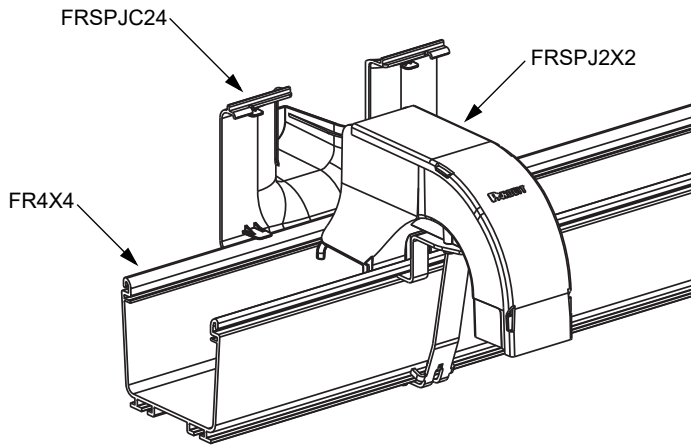
(FIBERRUNNER 4x4, 6x4 and 12x4 only)



FIBERRUNNER Spill-Over Junction Channel Cover - Typical Hinging Operation



For Technical Support: www.panduit.com/resources/install_maintain.asp



For Instructions in Local Languages
and Technical Support:
www.panduit.com/resources/install_maintain.asp

PANDUIT
www.panduit.com

E-mail:
techsupport@panduit.com
Phone:
866-405-6654