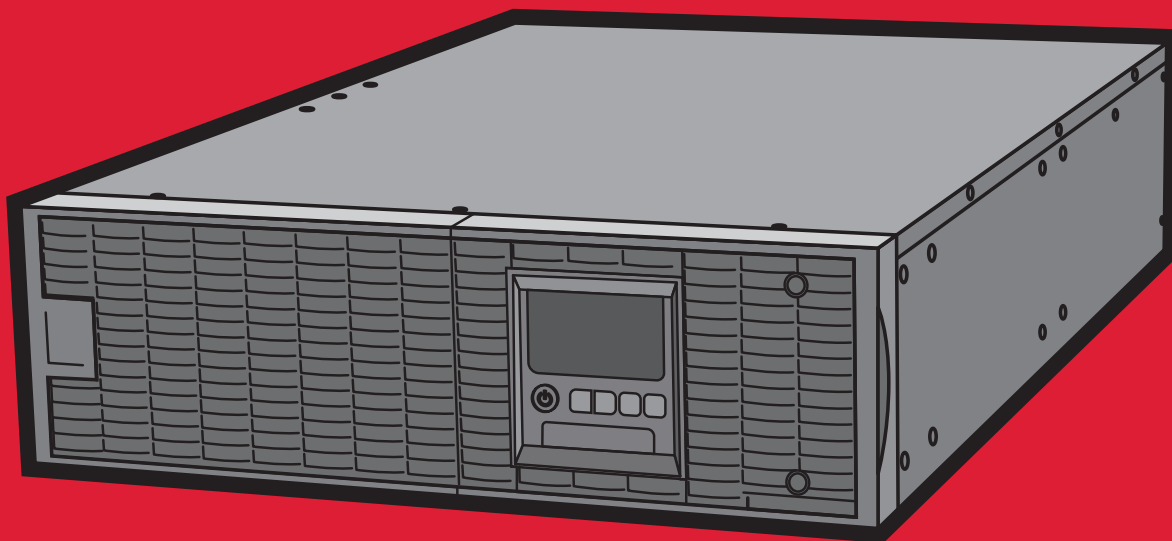


CyberPower®

SMART APP ONLINE UPS SYSTEM

INSTALLATION AND OPERATION MANUAL

OL6KRT | OL8KRT | OL10KRT



SAVE THESE INSTRUCTIONS

Please read this manual and follow the instructions for installation and operation.

SAFETY INSTRUCTIONS

SAVE THESE INSTRUCTIONS

This manual contains important instructions that should be followed during installation and maintenance of the UPS and batteries.

The Smart App Online 6-10kVA UPS models that are covered in this manual are intended for installation in an environment within 32°F to 104°F (0°C to 40°C), free of conductive contaminants.

SPECIAL SYMBOLS



Warning: High voltage - Risk of Electric Shock



Caution - Important Instructions: must always be followed.



Do Not Discard: the UPS or UPS batteries in trash. The batteries contain lead acid. For more information, contact your local recycling or hazardous waste facility.



Information, advice, help



See applicable user manual

SAFETY INSTRUCTIONS CONT.

PERSONAL SAFETY

CAUTION



To reduce the risk of fire, connect the UPS to a branch circuit with 40 amperes (6,000 VA)/50 amperes (8,000 VA)/70 amperes (10,000 VA) maximum over-current protection in accordance with the National Electric Code, ANSI/NFPA 70.

The AC electrical service where the UPS is connected should be close to the unit and easily accessible.

Please use only UL-marked mains cable, (e.g. the mains cable of your equipment), to connect the UPS to the AC outlet.

Please use only UL-marked power cables to connect any equipment to the UPS.

When installing the equipment, ensure that the sum of the leakage current of the UPS and the connected equipment does not exceed 3.5mA.

Do not unplug the unit from AC power during operation, as this will disconnect the protective ground insulation.

Do not use an improper size power cord as it may cause damage to your equipment and cause fire hazards.

Make sure everything is turned off and disconnected completely before conducting any maintenance, repairs or shipment.

DO NOT INSTALL THE UPS WHERE IT WOULD BE EXPOSED TO DIRECT SUNLIGHT OR NEAR A STRONG HEAT SOURCE!

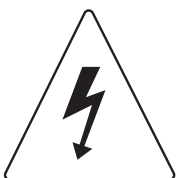
DO NOT BLOCK OFF VENTILATION OPENINGS AROUND THE HOUSING!

DO NOT CONNECT DOMESTIC APPLIANCES SUCH AS HAIR DRYERS TO UPS OUTPUT SOCKETS!

SERVICING OF BATTERIES SHOULD BE PERFORMED OR SUPERVISED BY PERSONNEL KNOWLEDGE OF BATTERIES AND THE REQUIRED PRECAUTIONS. KEEP UNAUTHORIZED PERSONNEL AWAY FROM BATTERIES!

FOR PERMANENTLY CONNECTED EQUIPMENT, A READILY ACCESSIBLE DISCONNECT DEVICE SHALL BE INCORPORATED IN THE BUILDING INSTALLATION WIRING.

RISK OF ELECTRIC SHOCK



A battery can present a risk of electric shock and high short circuit current. The following precaution should be observed when working on batteries:

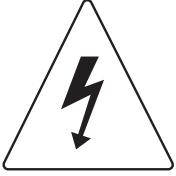
Remove watches, rings or other metal objects. Use tools with insulated handles.

The UPS must be connected to a grounded AC power outlet with fuse or circuit breaker protection. **DO NOT** plug the UPS into an outlet that is not grounded. If you need to power-drain this equipment, turn off and unplug the unit.

SAFETY INSTRUCTIONS CONT.

PERSONAL SAFETY CONT.

RISK OF ELECTRIC SHOCK CONT.



(No User Serviceable Parts): Risk of electric shock, do not remove cover. No user serviceable parts inside. Refer servicing to qualified service personnel.

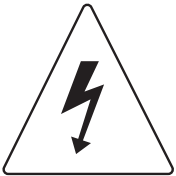
To prevent the risk of fire or electric shock, install in a temperature and humidity controlled indoor area, free of conductive contaminants. (Please see specifications for acceptable temperature and humidity range).

To avoid electric shock, turn off and unplug the unit before installing the input/output power cord with a ground wire. Connect the ground wire prior to connecting the line wires!

Connect the Protection Earth (PE) safety conductor before any other cables are connected. (Fuses): To reduce the risk of fire, replace only with the same type and rating of fuse.

PRODUCT SAFETY

RISK OF ELECTRIC SHOCK



The battery can power hazardous components inside the unit, even when the AC input power is disconnected.

The UPS should be placed near the connected equipment and easily accessible.

(Non-Isolated Battery Supply): Risk of electric shock, battery circuit is not isolated from AC power source; hazardous voltage may exist between battery terminals and ground. Test before touching.

All UPS models covered in this document are permanently-connected equipment and only qualified maintenance personnel may carry out installations.

Wiring must be done by qualified personnel.

DO NOT USE FOR MEDICAL OR LIFE SUPPORT EQUIPMENT! Under no circumstances should this unit be used for medical applications involving life support equipment and/or patient care.

DO NOT USE WITH OR NEAR AQUARIUMS! To reduce the risk of fire, do not use with or near aquariums. Condensation from the aquarium can come in contact with metal electrical contacts and cause equipment to short out.

The unit has a dangerous amount of voltage. When the UPS indicators is on, the units may continue to supply power thus the unit's outlets may have a dangerous amount of voltage even when it's not plugged in to the wall outlet.

SAFETY INSTRUCTIONS CONT.

PRODUCT SAFETY CONT.

BATTERY



Do not dispose of batteries in fire as the battery may explode.

Do not open or mutilate the battery, released electrolyte is harmful to the skin and eyes.

TABLE OF CONTENTS

SAFETY INSTRUCTIONS.....	II
Special Symbols.....	II
Personal Safety.....	III
Product Safety	IV
INTRODUCTION.....	1
Smart App Online UPS Systems.....	1
UPS Extended Battery Modules.....	1
Step-Down Transformer.....	1
Unpacking Procedures.....	2
Whats In The Box.....	3
OVERVIEW.....	4
Power Module.....	4
INSTALLING YOUR UPS SYSTEM.....	6
System Block Diagram.....	6
Hardware Installation Guide.....	6
HARDWARE INSTALLATION	8
Rackmount Installation	8
Vertical/Tower Installation.....	10
ELECTRICAL INSTALLATION.....	11
Input/Output Configuration.....	11
Backfeed Protection Operation.....	12
Without Backfeed Protection Configuration.....	13
With Backfeed Protection Configuration.....	14
EXTENDED BATTERY MODULE INSTALLATION.....	14
Rear Panel Description.....	14
Connection With Power Module.....	14
OPTIONAL LCD CONTROL PANEL INSTALLATION.....	17
Remote Control.....	17
Wall-mounting Instructions.....	17
UPS SYSTEM STARTUP.....	18
USING THE UPS SYSTEM.....	19
LCD Module.....	19
LCD Menu Tree.....	20
MAINTENANCE.....	29
Battery Replacement	30
TECHNICAL SPECIFICATIONS.....	31
TROUBLESHOOTING.....	34
PRODUCT REGISTRATION.....	35
LIMITED WARRANTY AND CONNECTED EQUIPMENT GUARANTEE.....	36
CONFORMANCE APPROVAL.....	40

INTRODUCTION

CyberPower Smart App Online rack/tower UPS systems, with double-conversion topology, provide sine wave output to mission-critical applications and equipment requiring seamless power correction. These units offer generator compatibility and deliver clean AC power with zero transfer time.

They offer Smart Battery Management (SBM), which helps extend overall battery life, and Fast Charge Technology, which helps keep charge times to less than five hours, regardless of the number of Extended Battery Modules (EBMs). Features include a rotatable LCD control panel, energy-saving GreenPower UPS™ ECO Mode technology, and PowerPanel® Business Edition software for monitoring and managing the UPS. Smart App Online 6-10kVA UPS systems come with a three-year warranty and a \$300,000 Connected Equipment Guarantee.

UPS EXTENDED BATTERY MODULES

Extended Battery Modules (EBMs) from CyberPower increase battery runtimes during power outages. Each rack/tower convertible EBM uses 3U of rack space, depending upon the model, and can be installed in a tower form factor to match the UPS installation. The DC plug-and-play power connectors allow to daisy-chain additional EBMs to a UPS system. EBMs compatible with Smart App Online UPS systems also have a built-in battery charger, providing Fast Charge Technology to quickly restore the backup power supply. Every CyberPower EBM has a three-year warranty.

STEP-DOWN TRANSFORMER

CyberPower Step-Down and Isolation Transformers support hardwire installations (OL6KSTF/ OL10KSTF) and are designed for a variety of CyberPower UPS systems. When connected to the UPS, the step-down transformer converts voltage from 200-240V down to 100-120V.

INTRODUCTION CONT.

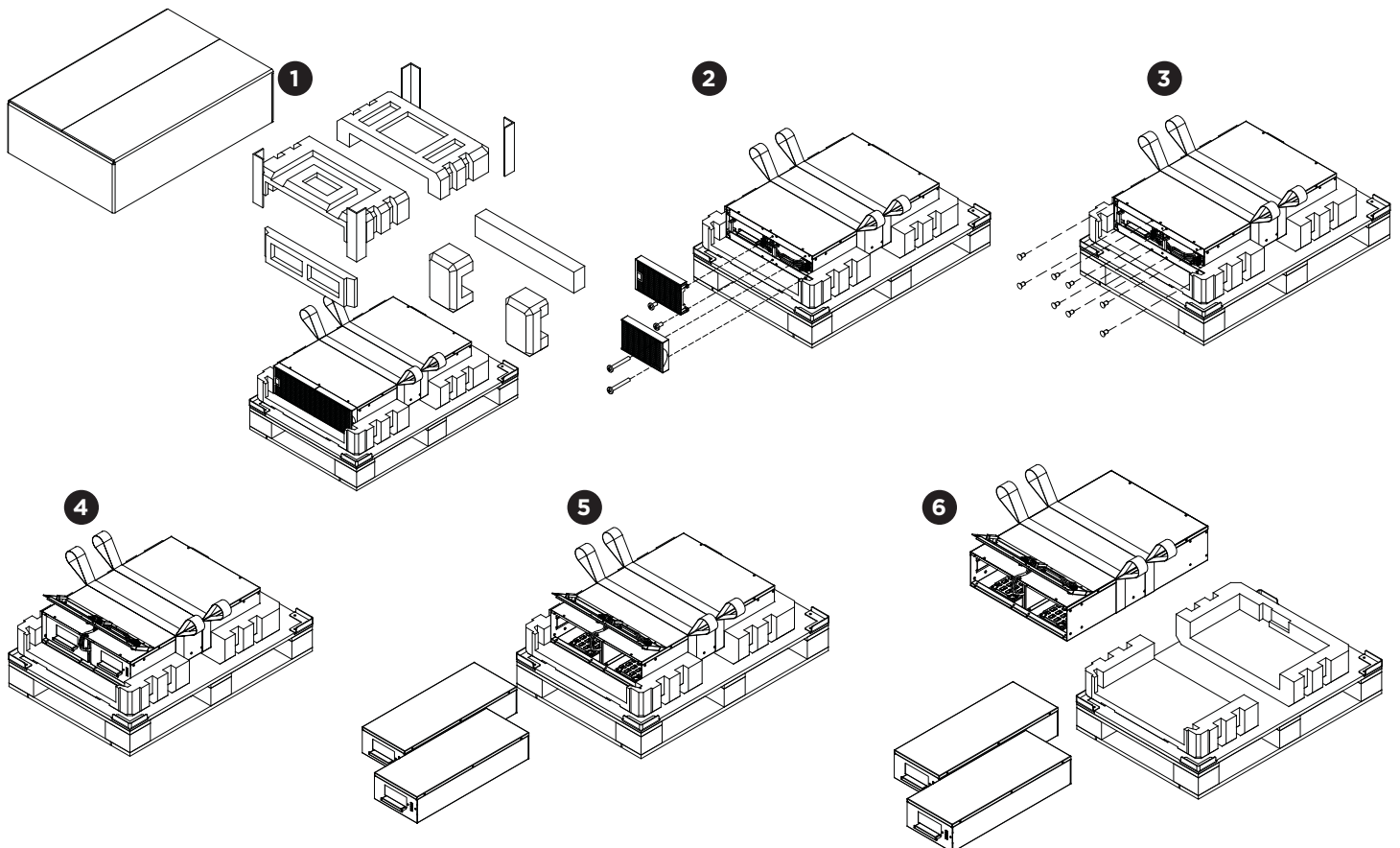
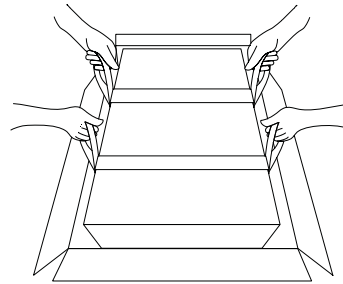
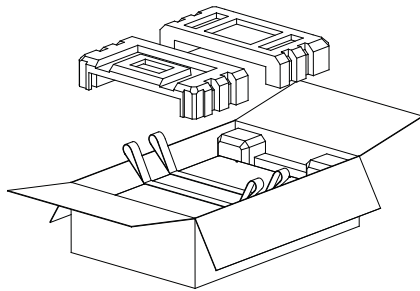
UNPACKING PROCEDURES



Information, advice, help

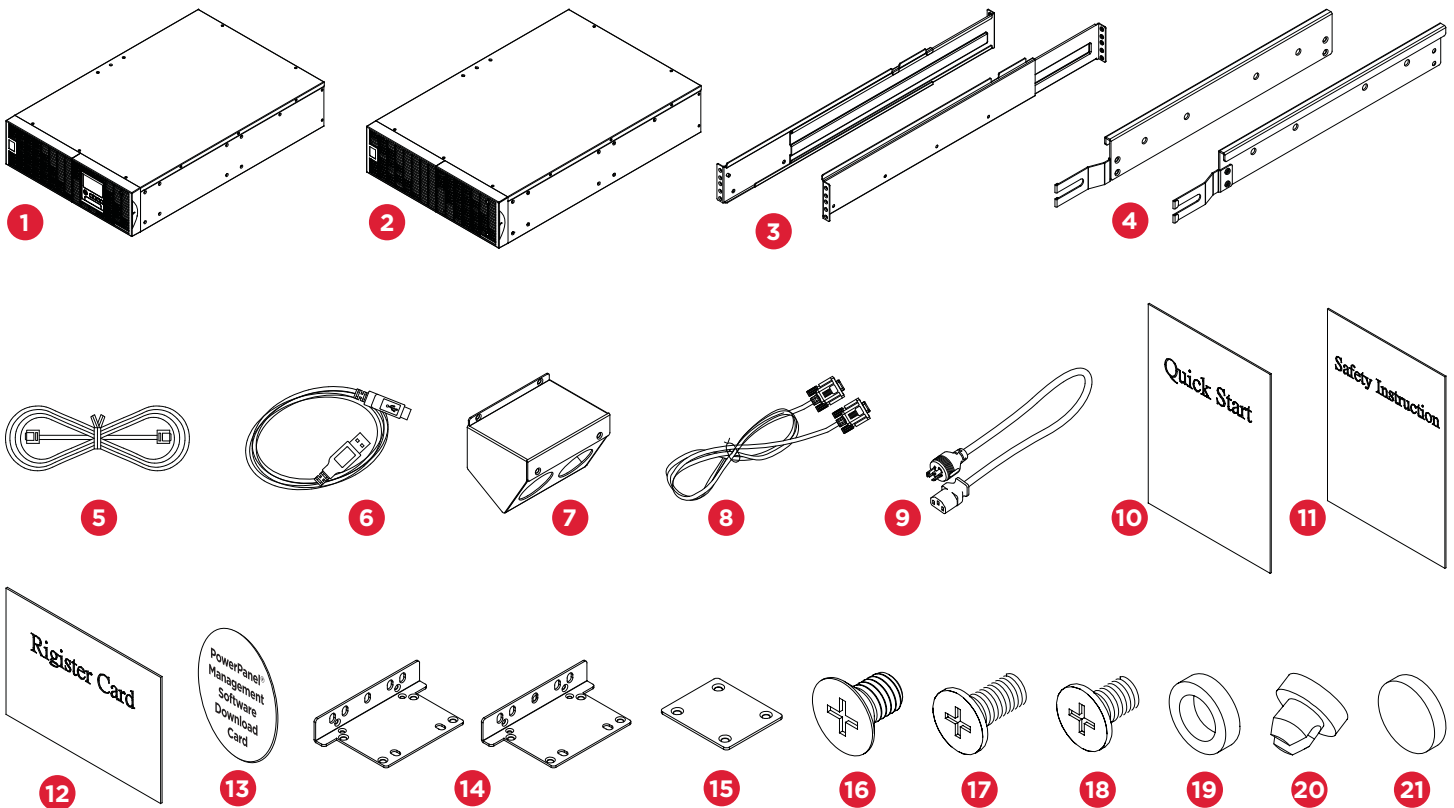
The UPS system is very heavy, please handle with care. Wear safety shoes and use a hydraulic equipment lift if one is available. At least two people are required for all handling operations, including unpacking, lifting, and installation in a rack system. Do not use the lifting straps to carry the unit around; they are provided to manually unpack the unit only.

USE LIFTING STRAPS TO REMOVE UNIT FROM THE BOX.



INTRODUCTION CONT.

WHATS IN THE BOX

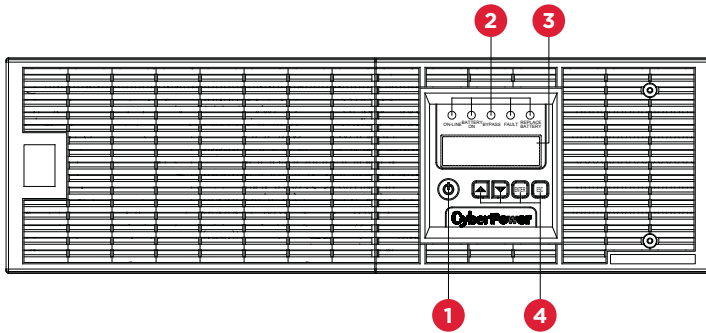


ITEM	CONTENT	QTY
1	Power Module	1
2	Extended Battery Module (EBM)	1
3	Left & Right Rackmount Rails	2
4	Left & Right Hanging Brackets	2
5	Phone Cable	1
6	USB Communication Cable	1
7	Input/Output Terminal Block Cover (Included with OL8KRT and OL10KRT models)	1
8	Serial Interface Cable (RS-232)	1
9	NEMA L6-30P to IEC-320-C13 Power Cord	1
10	Quick Start Guide	1
11	Safety Instructions	1

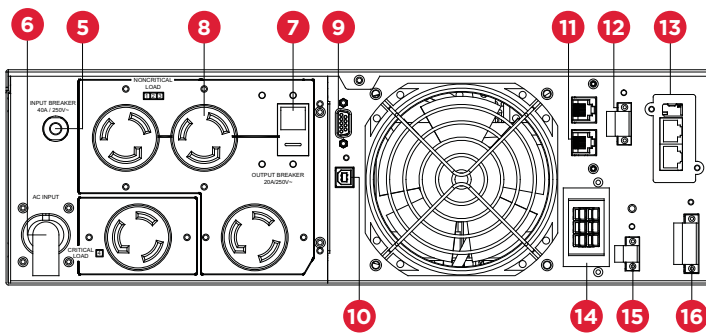
ITEM	CONTENT	QTY
12	Registration Warranty card	1
13	PowerPanel Management Software Download Card	1
14	Rackmount Ears	4
15	Tie Plate	1
16	Black M5X7L Flat Head Screws	16
17	Black M5X12L Pan Head Screws	24
18	Silver M5X6L Pan Head Screws	12
19	Plastic Washers	16
20	Screw Hole Dust Covers	28
21	Rubber Pads	24

OVERVIEW

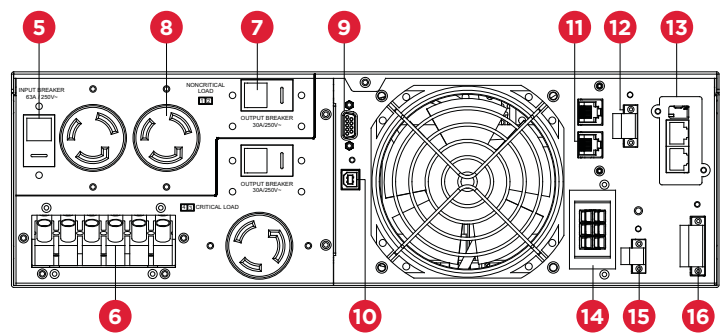
POWER MODULE



FRONT: OL6KPM/OL8KPM/OL10KPM



BACK: OL6KPM



BACK: OL8KPM/OL10KPM

1. Power Button/Power on Indicator

Master ON/OFF switch for the UPS. Indicates that the UPS is on and supplying power.

2. UPS Status/Fault/Replace Battery LED Indicator

Indicates the status of the UPS, displaying whether it is operating in On-Line, Battery or Bypass Mode, if it has an internal fault or if the battery needs to be replaced.

3. Multifunction LCD Readout

Shows UPS status, information, settings and events.

4. Function Buttons

Scroll up, scroll down, Enter, and Escape.

5. Input Circuit Breaker

Provides input current overload and fault protection.

6. Power Cord (OL6KPM) OR Input/Output Terminal Block (OL8KPM/OL10KPM)

Connect to utility power/equipment load.

7. Output Circuit Breaker

Provides output current overload and fault protection.

OVERVIEW CONT.

POWER MODULE CONT.

8. Battery Backup & Surge Protected Outlets

Provides battery backup and surge protection. They ensure power is provided to connected equipment over a period of time during a power failure.

Critical/Noncritical Load

Allows the creation of load priorities to ensure that battery power reserves are transferred to specified outlets during a power outage. The unit can be programmed to provide additional runtime for equipment connected to the “CRITICAL” outlets, while stopping the power supply to equipment connected to “NONCRITICAL” outlets after a designated period of time.

9. Serial Port

Serial port provides RS-232 communication between the UPS and a computer. The UPS can trigger a computer with PowerPanel® Business Edition software installed to shut down during a power outage through the connection while the computer can monitor the UPS and change its various programmable settings.

10. USB Port

USB port provides communication between the UPS and a computer. The UPS can trigger a computer with PowerPanel® Business Edition software installed to shut down during a power outage through the connection while the computer can monitor the UPS and change its various programmable settings.

11. RJ-45/RJ-11 Surge Protected Communication Ports

These ports are used to protect standard RJ-45/RJ-11 based products (ADSL, LAN, telephone/modem lines) and cabling systems from surges.

12. Relay Output Connector

Convert UPS signals into real potential-free dry contacts for industrial controls.

13. Expansion Slot

A network remote management card is pre-installed in the expansion slot.

14. Extended Battery Module Connector

Connection for additional CyberPower Extended Battery Modules (EBM).

15. EPO (Emergency Power Off) Connector

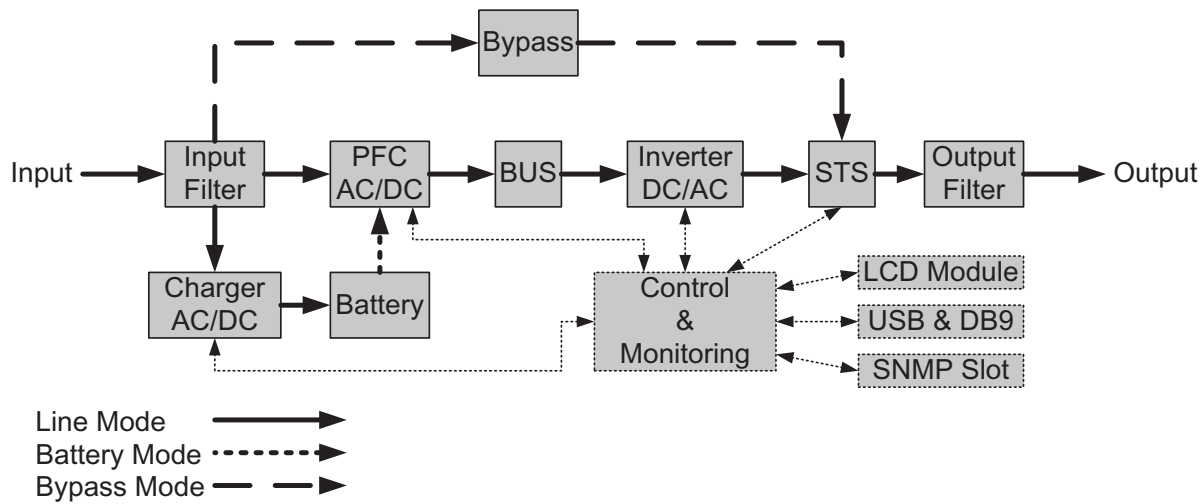
Enables an emergency UPS power-off from a remote location.

16. Backfeed Protection Connector

Prevents power to feedback from the inverter to input power in case of a power failure and a fault in the bypass circuit.

INSTALLING YOUR UPS SYSTEM

SYSTEM BLOCK DIAGRAM



HARDWARE INSTALLATION GUIDE

1. Battery charge loss may occur during shipping and storage. Before using the UPS, it's strongly recommended to charge batteries for four hours to ensure the batteries' maximum charge capacity. To recharge the batteries, simply connect the UPS to its designated AC electrical service.
2. When using PowerPanel® Business Edition software, connect either the serial or the USB cable between the computer and the corresponding port on the UPS. Note: If the USB port is used, the serial port will be disabled. They cannot be used simultaneously. After connecting to either the USB port or the serial port on the UPS, a computer with PowerPanel® Business Edition Agent software installed can control the operating schedule, battery test, outlets, as well as obtain UPS status information. However, other computers with PowerPanel® Business Edition Client software can only obtain UPS status information via LAN connection.
3. Connect your computer, monitor, and any externally-powered data storage device (Hard drive, Tape drive, etc.) into the outlets only when the UPS is off and unplugged. DO NOT plug a laser printer, copier, space heater, vacuum, paper shredder or other large electrical device into the UPS. The power demands of these devices will overload and possibly damage the unit.
4. To protect a fax machine, telephone, modem line or network cable, connect the telephone or network cable from the wall jack outlet to the jack marked "IN" on the UPS and connect a telephone cable or network cable from the jack marked "OUT" on the UPS to the modem, computer, telephone, fax machine, or network device.
5. Press the ON/OFF switch to turn the UPS on. The Power-On indicator LED will turn on when activated. If an overload is detected, an audible alarm will sound and the UPS will continuously emit two beeps per second. For resetting the unit, unplug some equipment from the outlets. Make sure your equipment carries a load current within the unit's safe range, (refer to the technical specifications).
6. This UPS is equipped with an auto-charge feature. When the UPS is connected to AC electrical service the battery will automatically charge, even when the unit is switched off.

INSTALLING YOUR UPS SYSTEM CONT.

HARDWARE INSTALLATION GUIDE CONT.

7. To maintain an optimal battery charge, leave the UPS connected to AC electrical service at all times.
8. Before storing the UPS for an extended period of time, turn the unit OFF. Then cover it and store it with the batteries fully charged. Recharge the batteries every three months to ensure good battery capacity and long battery life. Maintaining a good battery charge will help prevent possible damage to the unit from battery leakage.
9. The UPS has one USB port (default) and one serial port that allows connection and communication between the UPS and any attached computer running PowerPanel® Business Edition Agent software. The UPS can control the computer's shutdown during a power outage through the connection while the computer can monitor the UPS and alter various programmable parameters. Note: Only one communication port can be used at a time. The port not in use will automatically become disabled or the serial port will be disabled if both ports are attached.
10. EPO (Emergency Power Off) Port: EPO ports allow administrators the capability to connect the UPS unit to customer-supplied EPO switches. These installations give operators a single access point to immediately power-off all equipment connected to the UPS during an emergency.
11. To avoid electric shock, turn the unit OFF and disconnect the unit from utility power before hardwiring the UPS (in/out power cord). The in/out power cord MUST be grounded.
12. Please note the internal UPS temperature will increase when fans are not in operation or ventilation is obstructed. When the high temperature sensor activates protection, the UPS generates an alarm and shuts down to avoid unexpected equipment damage. When the over temperature occurs, please check the Troubleshooting section. If the condition persists, please contact CyberPower for technical support.

HARDWARE INSTALLATION

CyberPower UPS systems can be installed in a rackmount or vertical/tower orientation. This versatility is especially important to growing organizations with changing needs that value having the option to position a UPS on the floor or in a rackmount system. Note that the included rack mounting hardware is only compatible with square hole racks. Please follow the instructions below for the respective mounting methods.

RACKMOUNT INSTALLATION



Caution: Important Instructions

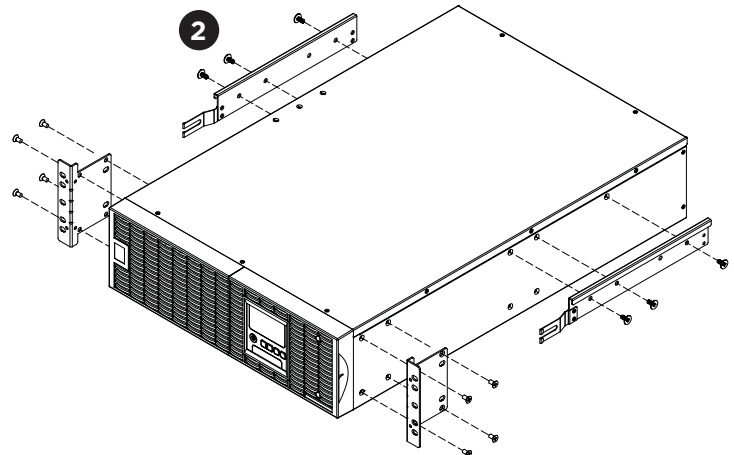
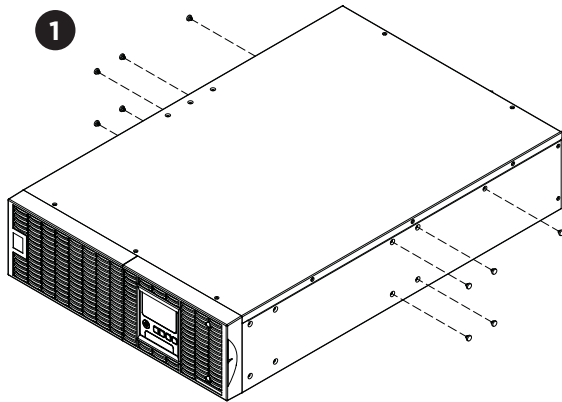
To prevent the risk of fire or electric shock, only use the supplied hardware to attach the mounting brackets.

Step 1: Remove the dust covers

Remove ten dust covers from the screw holes as shown below.

Step 2: Rackmount ear & hanging bracket installation

Attach two rackmount ears to the UPS using eight black M5X7L flat head screws and tighten two hanging brackets using six silver M5X6L pan head screws.



Step 3: Rackmount rail Installation

The mounting depth of the included rackmount rails can adjust from 20.5 in to 36 in (52 cm to 91.5 cm). Select the proper holes in the rack for positioning the UPS in the rack. The UPS takes up 3 rack units: rack hole positions 1 through 9.

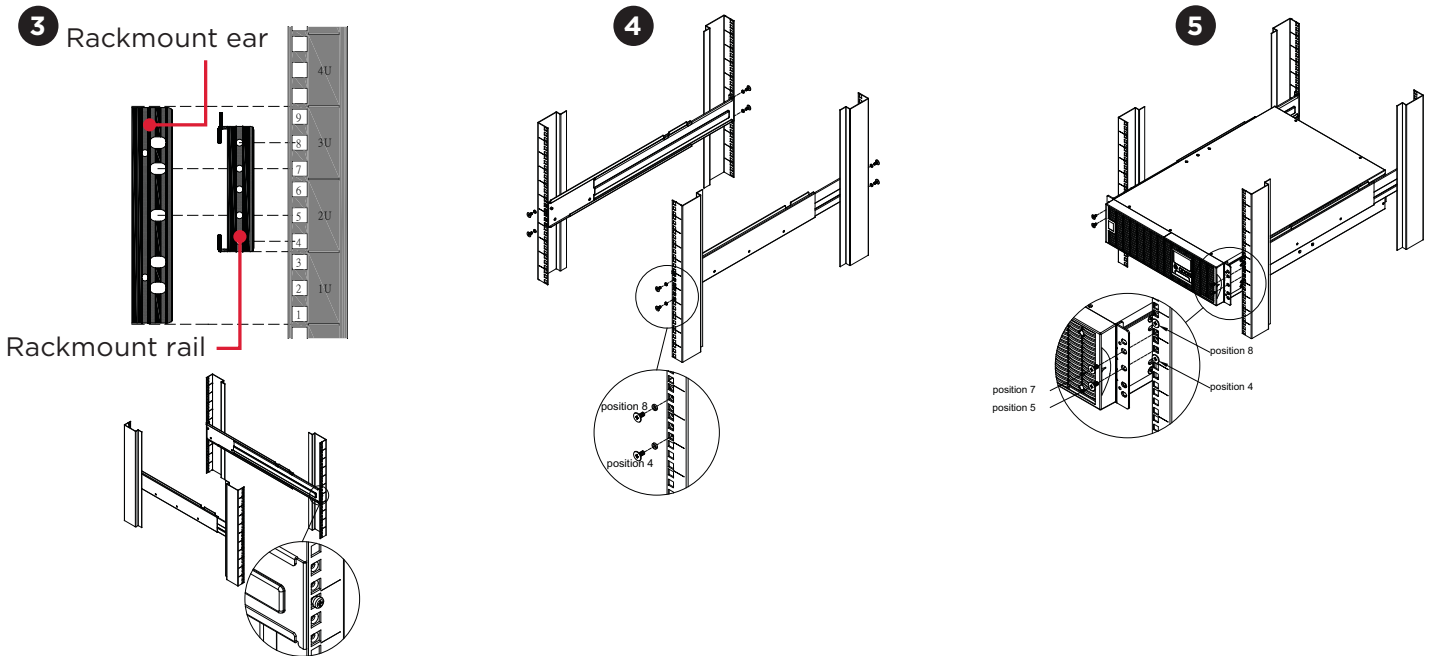
Position the guide screws on the back of the rackmount rails into the rear rack square holes to temporarily support the rails in place.

Step 4: Adjust rackmount rails to fit your rack

Adjust the rail depth to match your rack depth. Attach each rackmount rail to your rack with two black M5X6L pan head screws and two plastic washers at the front of the rack (square holes 4 and 8 as shown below). Secure each rail to the rear of the rack with two black M5X6L pan head screws and two plastic washers.

HARDWARE INSTALLATION CONT.

RACKMOUNT INSTALLATION: RACKMOUNT EARS INSTALLATION CONT.



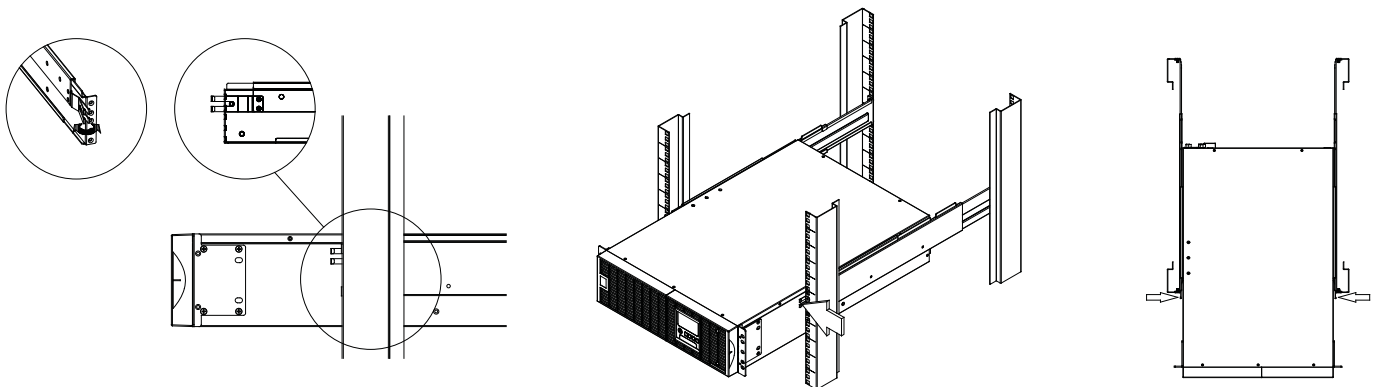
Step 5: Place and secure the UPS on the rails

Slide the hanging brackets on the UPS on to the rails mounted in the rack with the front of the unit facing toward you. Secure the UPS to your rack with four black M5X12L pan head screws at the front of the rack (square holes 5 and 7 as shown above).

Once completed, perform the same steps for the Battery module. Remove the internal battery trays from the Battery module before installing it. (See Battery Replacement section) The Battery module must be installed below the Power module. Place the internal battery trays back into the Battery module after installation. (See Battery Replacement section)

NOTE: To slide the UPS out from the rack

The UPS will be secured by a safety locking mechanism midway of pulling it out of the rack. Use both hands to hold the UPS and press the safety locking tab to pull the UPS out.

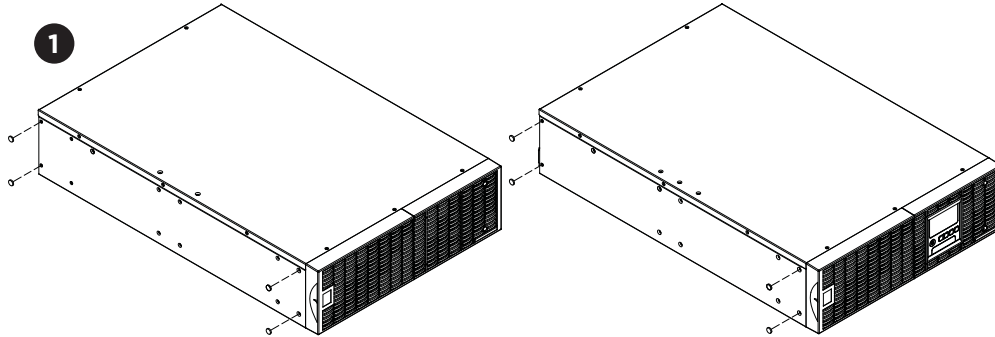


HARDWARE INSTALLATION CONT.

VERTICAL/TOWER INSTALLATION

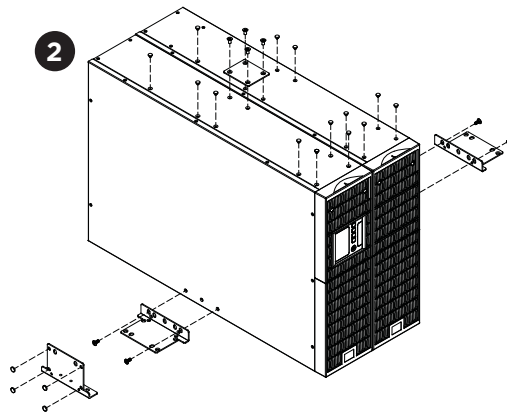
Step 1: Adhere rubber pads

Adhere the protective rubber pads to the left hand side of the UPS power module and extended battery module.



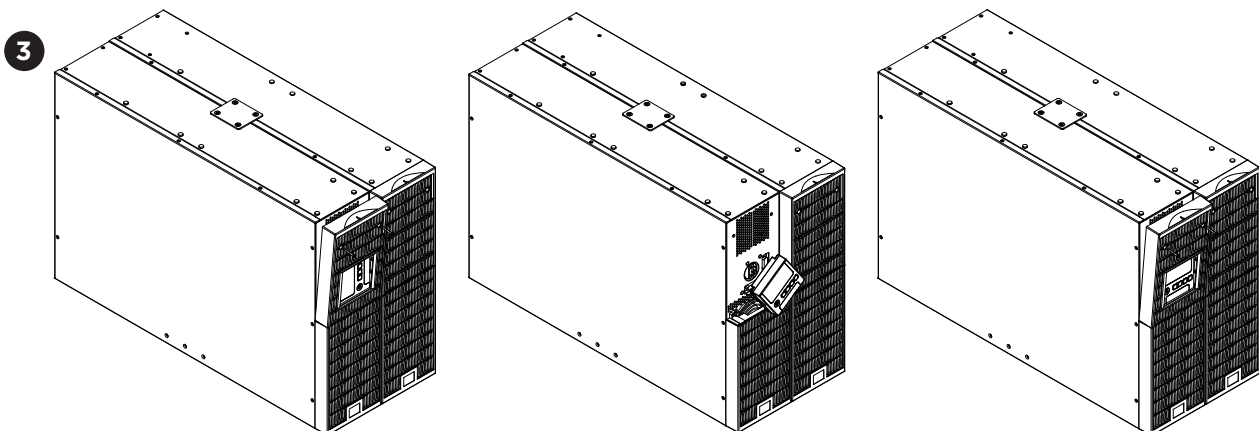
Step 2: Attach the base stands and attach the dust covers

Stand the UPS power module and extended battery module on its side. Secure the tie bracket on top of the power module and extended battery module with four black M5X7L flat head screws. Insert dust covers into the screw holes that are not being used. Optionally, use the rack mount ears as tower stands. Screw them onto the power module and extended battery module with four black M5X6L pan head screws for adding stability.



Step 3: Rotate the Multifunction LCD Control Panel

Unscrew the upper panel of the UPS. Separate the upper panel from the UPS. Gently lift the LCD control panel out. Rotate it to the tower orientation. Reinstall it for a tower configuration.



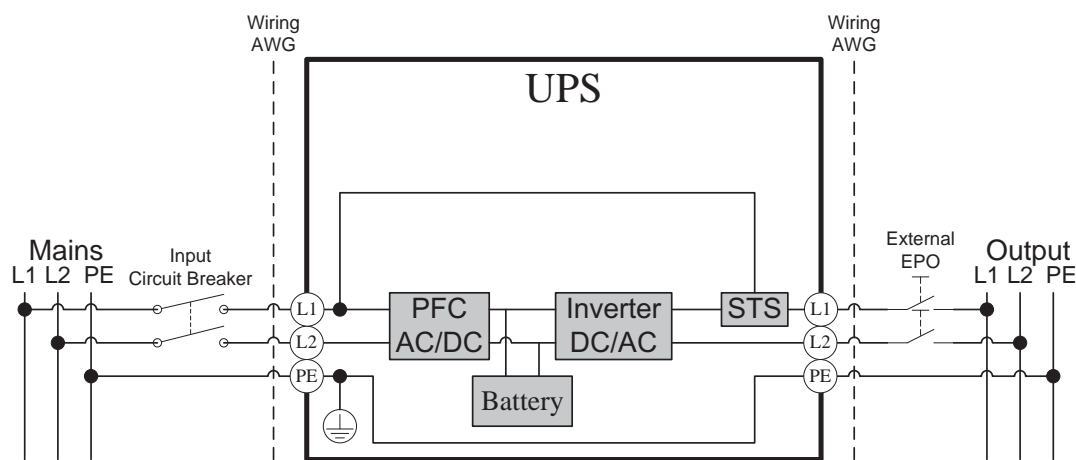
ELECTRICAL INSTALLATION

Verify branch circuit breaker rating and wiring dimensions with the following table for hardwired input UPS models.

UPS CAPACITY	BRANCH CIRCUIT BREAKER	WIRING AWG	WIRING mm ²
6KVA	40A	10 AWG	5.5 mm ²
8KVA	50A	8 AWG	8.0 mm ²
10KVA	70A	6 AWG	14.0 mm ²

INPUT/OUTPUT CONFIGURATION

Hardwire the input/output terminals as shown in the following diagram.



Caution: Important Instructions

Input and Output circuit breakers must be “OFF” during the installation process.

An additional two pole disconnect device is necessary during the installation process.

Disconnected EPO will immediately shut down the logic circuit output of the UPS. Wiring the EPO port is optional.

Local safety rules may require a separate, external EPO to turn off output circuit breakers. Refer to local wiring rules, the EPO should use approved components.

OL6KRT Electrical Connection

Connect the NEMA L6-30P input power cord on the UPS to a properly wired NEMA L6-30R outlet. See the Extended Battery Module Installation section for instruction on connecting the battery module to the UPS.

ELECTRICAL INSTALLATION CONT.

INPUT/OUTPUT CONFIGURATION CONT.

OL8KRT and OL10KRT Electrical Connection

Step 1: Separate the terminal block cover

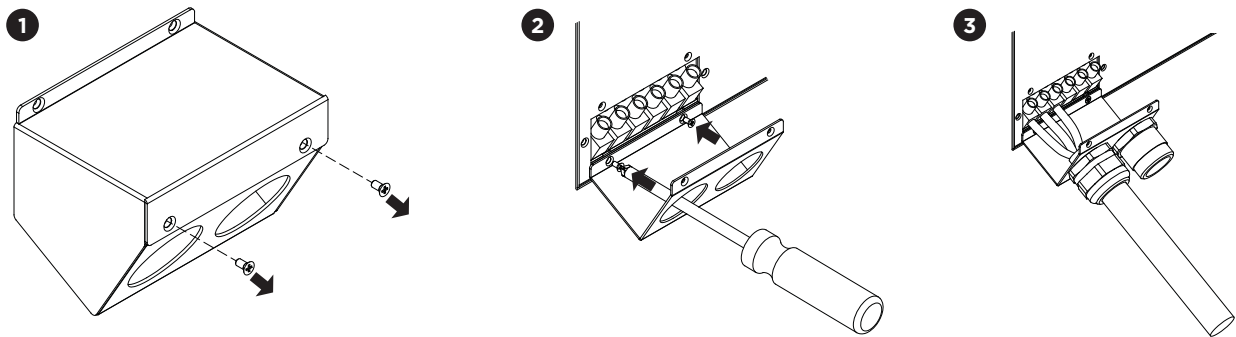
Loosen the two screws joining the top and bottom terminal block covers to separate them.

Step 2: Secure the bottom cover on to the UPS

Tighten the two screws to secure the bottom cover on to the UPS terminal block.

Step 3: Input configuration

Insert the input cable through the appropriate cable gland (not included) and connect the three wires to the input terminal block.



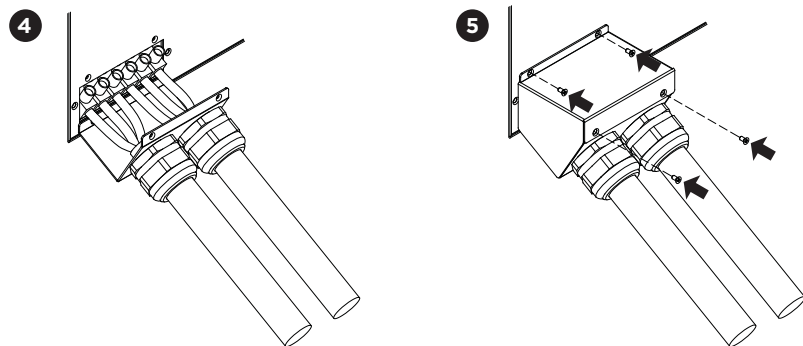
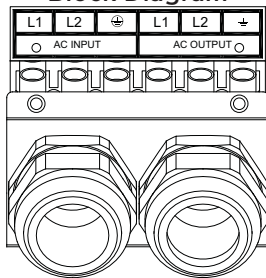
Step 4: Output configuration

Insert the output cable through the appropriate cable gland (not included) and connect the three wires to the output terminal block.

Step 5: Secure the top cover

Use four screws to secure the top terminal block cover on to the UPS.

Input/Output Terminal Block Diagram



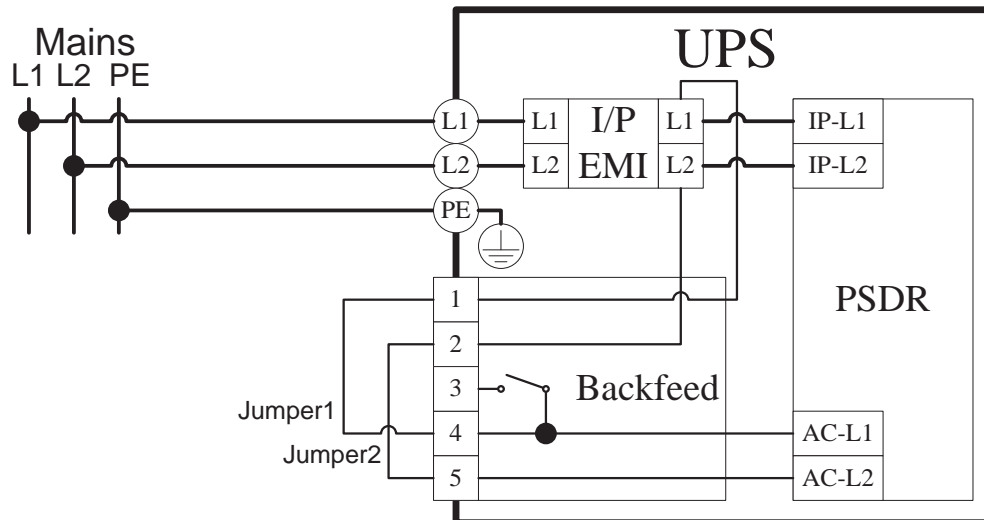
BACKFEED PROTECTION OPERATION

1. If the Bypass circuit is shorted and the UPS is running in Line Mode or Battery Mode, backfeed protection will be active and the external isolation device (Magnetic Contactor) will open.
2. Save your data and perform a controlled shutdown.
3. Contact CyberPower for repair.

ELECTRICAL INSTALLATION CONT.

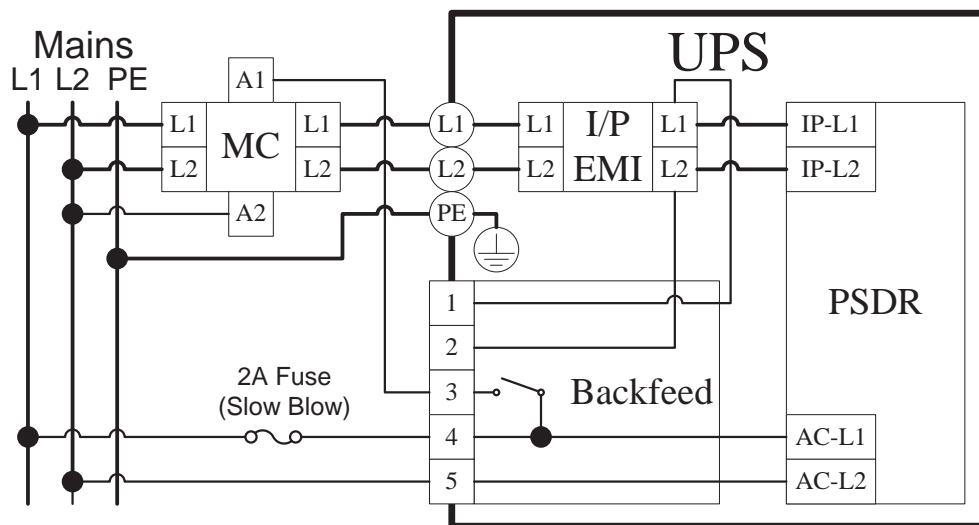
WITHOUT BACKFEED PROTECTION CONFIGURATION

1. Hardwire the input terminals as shown in the following diagram.
2. Do not remove the interconnection wires (Jumper1 / Jumper2) on “**Backfeed Protection Connector**”.



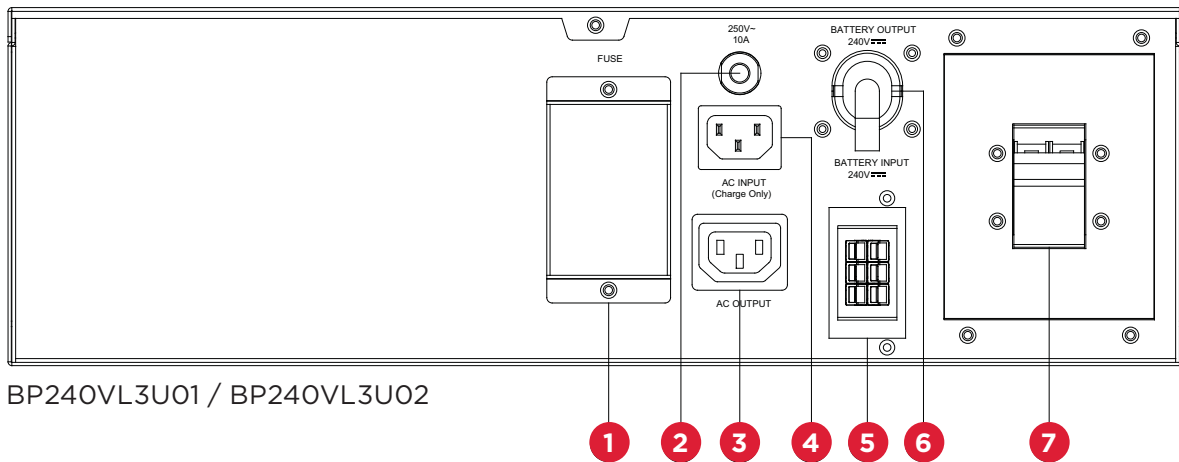
WITH BACKFEED PROTECTION CONFIGURATION

1. Connect a user supplied external isolation device (Magnetic Contactor) upstream and outside the UPS and capable of supporting the UPS input current.
2. Remove the interconnection wires (Jumper1 / Jumper2) on “**Backfeed Protection Connector**”.
3. Hardwire the input terminals and “**Backfeed Protection Connector**” as shown in the following diagram.
4. The external isolation device must be installed in the Mains path.



EXTENDED BATTERY MODULE INSTALLATION

REAR PANEL DESCRIPTION



BP240VL3U01 / BP240VL3U02

1. On-board Replaceable Fuse Cover

Replaceable fuse is accessible from the rear panel. Service to be performed by qualified personnel only.

2. AC Circuit Breaker

Provides overload and fault protection.

3. AC Output Outlet (IEC320 C13)

Use this outlet to connect to the AC Input Inlet of a downstream Battery module.

4. AC Input Inlet (IEC320 C14, Charge Only)

Connection for separate AC power source for Fast Charge Technology feature. NOT to be connected to UPS output as source of power.

5. Battery DC Input Connector

Use this input connector to daisy chain the next Extended Battery Module. Remove the connector cover for access.

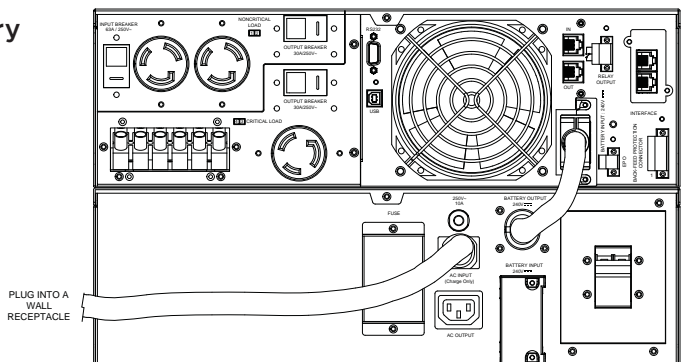
6. Battery DC Output Cable

Use this output cable to connect the Extended Battery Module to the Power module or to the next Extended Battery Module.

7. Use the DC breaker to disconnect battery output.

CONNECTION WITH POWER MODULE

Scenario #1: Power module with one Extended Battery Module (EBM)



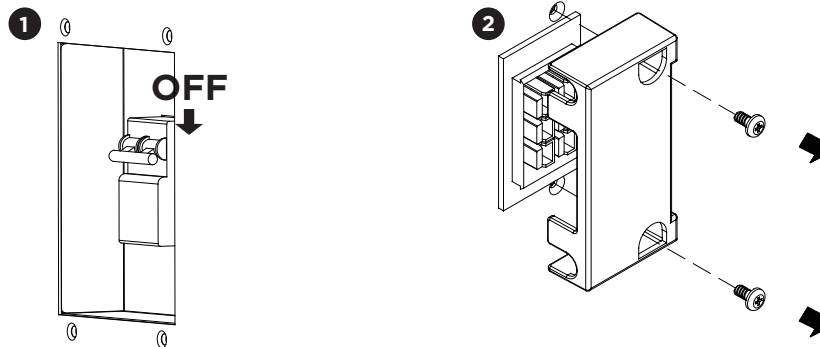
EXTENDED BATTERY MODULE INSTALLATION CONT.

CONNECTION WITH POWER MODULE CONT.

Step 1: Turn off the DC breaker on the EBM.

Step 2: Loosen the two screws to remove the battery cable retention bracket of the power module.

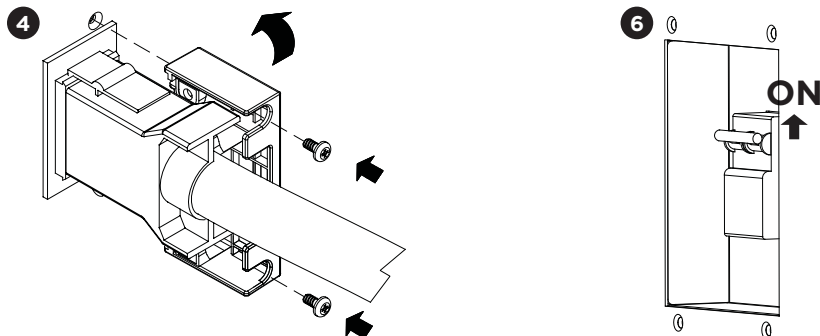
Step 3: Use the output cable of the EBM to connect the EBM to the Power module.



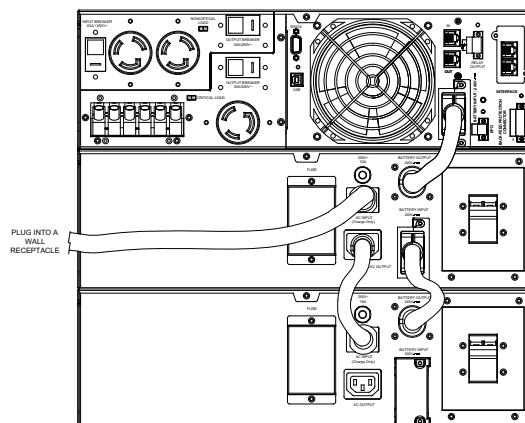
Step 4: Rotate the battery cable retention bracket and tighten the two screws to fix battery cable.

Step 5: Use a power cord to plug AC input inlet of the battery module into a wall receptacle.

Step 6: Turn on the DC breaker of the EBM.



Scenario #2: Power module with multiple Extended Battery Modules (EBMs)



EXTENDED BATTERY MODULE INSTALLATION CONT.

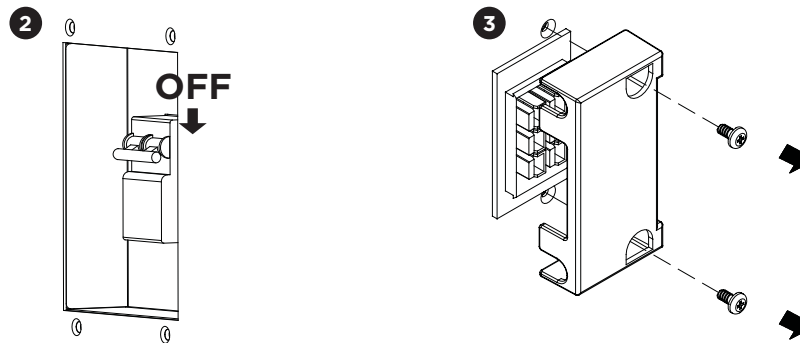
CONNECTION WITH POWER MODULE CONT.

Step 1: Connect the 1st EBM to the Power module following the instructions above.

Step 2: Turn off the DC breaker of the 2nd EBM.

Step 3: Loosen the two screws to remove the battery cable retention bracket of the 1st EBM.

Step 4: Use the output cable of the 2nd EBM to connect the 2nd EBM to the 1st EBM.

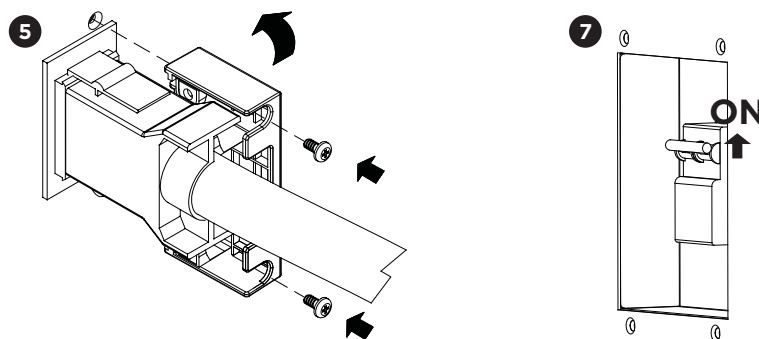


Step 5: Rotate the battery cable retention bracket and tighten the two screws to fix battery cable.

Step 6: Use a power cord to plug AC input inlet of the 2nd EBM into AC output outlet of the 1st EBM.

Step 7: Turn on the DC breaker of the 2nd EBM.

Step 8: Set the EBM number to the respective setting to match the number of installed units. To do this via the LCD control panel, go to the Configuration Menu, then scroll to the EBM Number setting, select the appropriate number and Save the configuration. This operation can also be done via the RMCARD web UI or via PowerPanel® Business Edition Agent software. Please see their respective User Manual for instructions.



OPTIONAL LCD CONTROL PANEL INSTALLATION



Caution: Important Instructions

Optional LCD control panel installation must be done by qualified personnel.

To avoid electric shock, turn off and unplug the unit before proceeding with REMOTE CONTROL or WALL-MOUNTING INSTRUCTIONS.

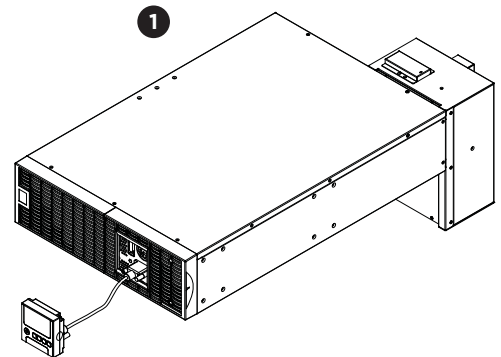
REMOTE CONTROL

Step 1: Remove the LCD Control Panel

Unscrew the right front panel of the power module. Separate the right front panel from the UPS. Gently lift the LCD module out. Reinstall the right front panel.

Step 2: Connect a DB26 Cable

Connect a DB26 cable (not included) from the LCD module to the “Remote Control Port” on the front of the UPS as shown in the following figure.



WALL-MOUNTING INSTRUCTIONS

Step 1: Remove the LCD Control Panel

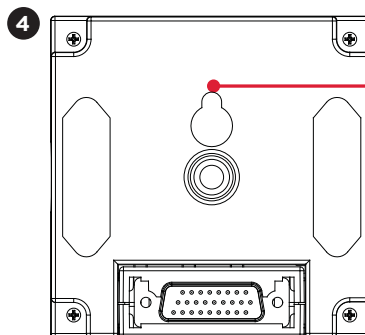
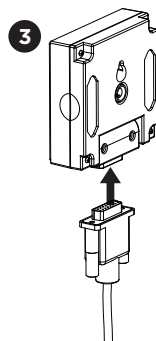
Unscrew the right front panel of the power module. Separate the right front panel from the UPS. Gently lift the LCD module out. Reinstall the front right panel.

Step 2: Rotate the DB26 Connector on the LCD Control Panel

Step 3: Connect a DB26 Cable

Connect a DB26 cable (not included) from the LCD module to the “Remote Control Port” on the front of the UPS as shown in the following figure.

Step 4: Mount LCD Module on the Wall



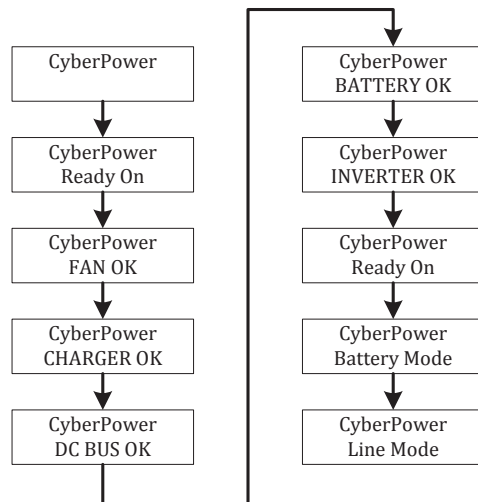
Wall mounting hole
Ø10* Ø5*13.8L

UPS SYSTEM STARTUP

After completing the hardware installation of the UPS, you are now ready to connect the UPS and connect your equipment.

To start the UPS:

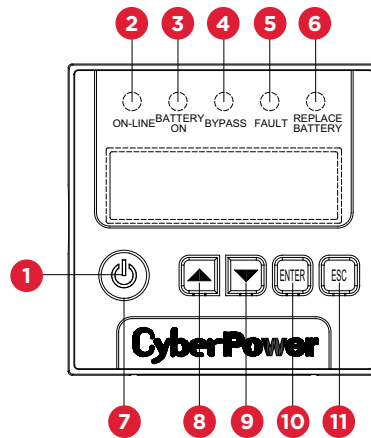
1. Verify that the UPS input cable or terminal block is connected to an appropriate AC source.
2. Verify that the EBM DC output cable is connected to the UPS DC input connector.
3. Set the EBM DC breaker to “ON” position.
4. Set the UPS input circuit breaker to “ON” position.
5. Set the upstream circuit breaker (user supplied) to the “ON” position. The UPS LCD will turn on and display “CyberPower”; fans will turn on.
6. Press the ON/OFF button on the UPS front panel for at least 3 seconds to start the UPS.
7. UPS will perform a brief self-test lasting about 15 seconds. The LCD screen will show the self-test results in the sequence below.



8. Verify that the green “ON-LINE” LED illuminates solid, indicating that the UPS is operating in Line Mode and powering the output.

USING THE UPS SYSTEM

LCD CONTROL PANEL



LED INDICATORS - UPS STATUS

ITEM	LED INDICATORS	COLOR	UPS STATUS DESCRIPTION
1	ON/OFF	White	UPS power is on.
2	ON-LINE	Green	UPS is operating in Line Mode.
3	BATTERY ON	Yellow	UPS is operating in Battery Mode.
4	BYPASS	Yellow	UPS is operating in Bypass Mode, Manual Bypass or ECO (Economy) Mode.
5	FAULT	Red	UPS has an internal fault. See “Trouble Shooting” for additional information.
6	REPLACE BATTERY	Red	Battery will need to be replaced soon due to insufficient runtime.

BUTTON OPERATION

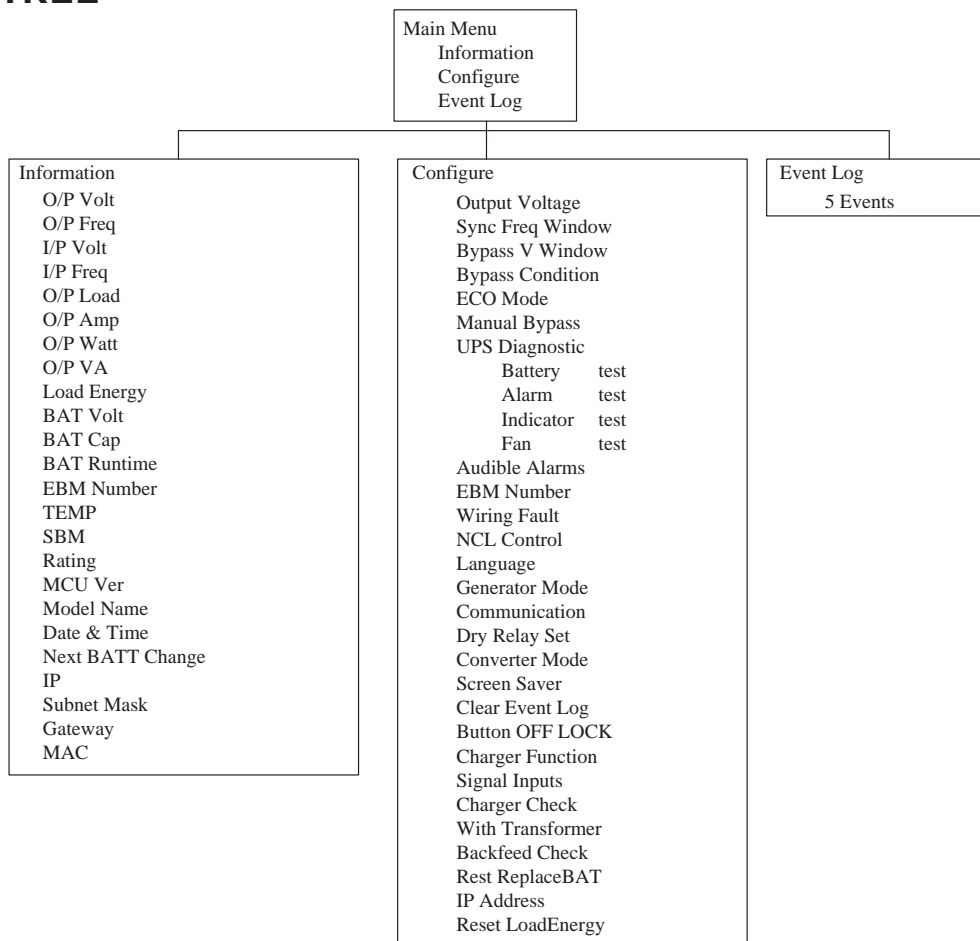
ITEM	BUTTON	UPS MODES DESCRIPTION
7	ON/OFF	Press this button for at least 3 seconds to turn on or turn off UPS.
8	▲	Press this button to scroll up in the LCD menu.
9	▼	Press this button to scroll down in the LCD menu.
10	ENTER	Press this button to select an option.
11	ESC	Press this button to cancel or return to the previous LCD menu.

USING THE UPS SYSTEM CONT.

LCD CONTROL PANEL CONT.

LCD SCREEN - UPS MODES OF OPERATION	
LCD SCREEN	UPS MODES DESCRIPTION
Line Mode	UPS is operating in Line Mode. The UPS is operating normally and protecting the equipment.
Battery Mode	UPS is operating in Battery Mode. A utility power failure has occurred. The UPS is using battery power to power and protect the equipment.
Bypass Mode	UPS is operating in Bypass Mode. A fault has been detected and the UPS has transferred the load to utility power.
Manual Bypass	UPS is operating in Manual Bypass. The UPS has been manually transferred to bypass.
ECO Mode	UPS is operating in ECO (Economy) Mode. If bypass power quality is within the ECO mode setting specifications, the UPS will operate in bypass until input power is disqualified per set specifications. When bypass quality is outside of the specified tolerance the UPS will automatically switch to Line Mode.

LCD MENU TREE



USING THE UPS SYSTEM CONT.

LCD Control Panel Main Menu

Press “ENTER” button to enter the “Main Menu”.

MAIN MENU	DESCRIPTION
Information	Displays UPS information.
Configure	Displays UPS settings that can be configured by the user.
Event Log	Displays the 5 most recent events, by event count, time (day/hour/minute), and event description.

LCD Information Readout

There are 24 types of UPS information available for display.

1. Press the “ENTER” button to enter the “Main Menu”.
2. Press the “▲” and “▼” buttons to scroll to the “Information” menu.
3. Press the “ENTER” button to select the “Information” menu.
4. Press the “▲” and “▼” buttons to scroll through the “Information” items shown in the table below.
5. Press the “ESC” button to return to the previous screen.

INFORMATION MENU ITEMS	DATA DISPLAYED	DESCRIPTION
O/P Volt	= XXX.XV	Displays the Output Voltage
O/P Freq	= XX.XHz	Displays the Output Frequency
I/P Volt	= XXX.XV	Displays the Input Voltage
I/P Freq	= XX.XHz	Displays the Input Frequency
O/P Load	= XXX%	Displays the Output Load as a Percentage of Maximum Load
O/P Amp	= X.XA	Displays the Output Current
O/P Watt	= XXXXXW	Displays the Output Wattage
O/P VA	= XXXXXVA	Displays the Output VA
Load Energy	XXXX.XKWh	Displays UPS Load Energy Consumption
BAT Volt	= XXX.XV	Displays the Battery Voltage
BAT Cap	= XXX%	Displays the Estimated Percentage of Battery Capacity
BAT Runtime	= XXXM	Displays the Estimated Battery Runtime in Minutes
EBM Number	= X	Displays the Number of Extended Battery Modules Configured
TEMP	= XX°C / XXX°F	Displays the Approximate Internal UPS Temperature in both °C (Celsius) and °F (Fahrenheit)
SBM	= XXXXX XH(M)	Displays the stage of Smart Battery Management with Time of Operation
Rating	= XXK VA	Displays the UPS Rating
MCU Ver	XXXX	Displays the MCU Firmware Version
Model Name		Displays the UPS Model Name

USING THE UPS SYSTEM CONT.

LCD Information Readout Cont.

INFORMATION MENU ITEMS	DATA DISPLAYED	DESCRIPTION
Date & Time	---- / -- / ---- :- -	Displays the present Date & Time
Next BATT Change	XXX / XXXX	Displays the next Battery Change Date & Time
IP	XXXXXX XXX.XXX.XXX.XXX	Display the network IP address
Subnet Mask	XXX.XXX.XXX.XXX	Display the network Subnet Mask
Gateway	XXX.XXX.XXX.XXX	Display the network Gateway
MAC	XX-XX-XX-XX-XX-XX	Display the network card MAC address

LCD Event Log

The UPS will record the five most recent system events in the Event Log.

1. Press the “ENTER” button to enter the “Main Menu”.
2. Press the “▲” and “▼” buttons to scroll to the “Event Log” option.
3. Press the “ENTER” button to select the “Event Log” submenu.

EVENT LOG SUBMENU	DESCRIPTION
(X)	Event date and time followed by event description.

4. Press the “▲” and “▼” buttons to scroll through the “Event Log.” The UPS will record events listed in the table below.
5. Press the “ESC” button to return to the previous screen.

EVENT CONTENT	DESCRIPTION
High O/P V	The UPS has detected inverter voltage is too high.
Low O/P V	The UPS has detected inverter voltage is too low.
Output short	The UPS has detected an output short.
Bus Fault	The UPS has detected DC bus is too high or low.
Over Temp	The UPS has detected internal temperature is too high.
Wiring Fault	The UPS has detected the input line/neutral wire are reversed or without ground wire.
O/P Overload	The UPS has detected output Watt or VA are too high.
Over Charge	The battery has been charged at too high voltage.
Charger Failure	The battery charger has malfunctioned.
Battery Low	The battery has been discharged at too low level.
Load Over Set%	The UPS has detected output Watt or VA has exceeded user set parameter.

USING THE UPS SYSTEM CONT.

LCD Event Log Cont.

EVENT CONTENT	DESCRIPTION
Service Battery	The Battery Replacement Date has reached the maintenance period.
Battery Failure	The UPS has detected battery failure.
Line Abnormal	The UPS has detected input power is out of range when the UPS is running auto-restart process.
Fan Error	The UPS has detected a fan malfunction.
BAT Disconnected	The UPS has not detected batteries.
Bypass Forbidden	User cannot use Manual Bypass function when Generator Mode or Converter Mode is enabled
Ready ON	The UPS has been turned on.
Battery Test	The batteries have been tested.

Multi-language Interface

Users can configure one of the four available languages for display:

[English] [Español-Spanish] [Français-French] [Deutsch-German]

1. Press the “ENTER” button to enter the “Main Menu”.
2. Press the “▲” and “▼” buttons to scroll to the “Configure” menu.
3. Press the “ENTER” button to select the “Configure” menu.
4. Press the “▲” and “▼” buttons to scroll to the “Language” option.
5. Press the “ENTER” button to select the “Language” option.
6. Press the “▲” and “▼” buttons to scroll to the language that you want to select.
You may be prompted to save the selection, if so, press the “ENTER” button to save the setting.
7. Press the “ESC” button to cancel or return to the previous screen.

LCD Configuration Settings

There are 27 UPS settings that can be configured by the user.

1. Press the “ENTER” button to enter the “Main Menu”.
2. Press the “▲” and “▼” buttons to scroll to the “Configure” menu.
3. Press the “ENTER” button to select the “Configure” menu.
4. Press the “▲” and “▼” buttons to scroll to the “Configure” items shown in the table below.
5. Press the “ENTER” button to select the setting you want to configure.
6. The first configuration settings will be displayed on the second column of LCD screen.
7. Press the “▲” and “▼” buttons to scroll through the different settings.

USING THE UPS SYSTEM CONT.

LCD Configuration Settings Cont.

8. Press the “ENTER” button to select the parameter you want to change.
9. You may be prompted to save the selection, if so press the “ENTER” button to save the setting. Some options are saved and started automatically. (See the following table for additional details.)
10. Press the “ESC” button to cancel or return to the previous screen.

CONFIGURE SUBMENU	AVAILABLE SETTINGS	DEFAULT SETTING
Output Voltage	= [200V] [208V] [220V] [230V] [240V] Sets the UPS output voltage	208V
Sync Freq Window	Range= [+/- 1%] [+/- 2%] [+/- 3%] [+/- 4%] [+/- 5%] [+/- 6%] [+/- 7%] [+/- 8%] [+/- 9%] [+/-10%] Sets the output synchronization frequency range If input line frequency is outside this range, the UPS will lock in at the nominal frequency	+/- 5%
Bypass V Window	Range= [+10%/-10%] [+10%/-15%] [+10%/-20%] [+15%/-10%] [+15%/-15%] [+15%/-20%] Sets Bypass Voltage range	+10%/-15%
Bypass Condition	[Check Freq/Volt] [Check Volt Only] [No Bypass] Bypass Condition : The default setting [Check Freq/Volt] means the UPS will check the specifications (1) and (2) when the UPS has a fault and needs to transfer to Bypass. The setting [Check Volt Only] means the UPS will check the following specification (1) when the UPS has a fault and needs to transfer to Bypass. (1) Bypass voltage is inside the range of "Bypass V Window". (2) Bypass frequency is inside the range of "Sync Freq Range". The setting [No Bypass] means the UPS is forbidden to transfer to Bypass when UPS has a fault.	Check Freq/Volt

USING THE UPS SYSTEM CONT.

LCD Configuration Settings Cont.

CONFIGURE SUBMENU	AVAILABLE SETTINGS	DEFAULT SETTING
ECO Mode ¹	[Disable] [Enable]	Disable
	[V Range= +/-15%] [V Range= +/-10%] (for [Enable]) When ECO mode is enabled the UPS will check the following bypass quality specifications (1) Bypass voltage is inside the [V Range= +/-10%] (default setting) or [V Range= +/-15%] (2) Bypass frequency is inside the +/-3 Hz range of output nominal frequency	V Range= +/-10%
Manual Bypass	[Disable] [Enable] When performing UPS maintenance, the user can manually transfer the connected load to bypass without interrupting the supply of power.	Disable
UPS Diagnostic	[Battery Test] [Alarm Test] [Indicator Test] [Fan Test]	[Battery Test]
	[Activate?] Starts a manual battery test. The UPS will operate 10 seconds on Battery Mode to check battery condition. Starts a manual alarm test. The buzzer will sound for 5 seconds. Starts a manual indicator test. The UPS will turn on all LEDs and light the LCD background for 5 seconds. Starts a manual fan test. The UPS will operate fans at full speed for 5 seconds.	None
Audible Alarms	[Disable] [Enable] [Only Battery Low] User can [Disable] or [Enable] the audible alarm and can also set [Only Battery Low] to alarm only when the battery is low in Battery Mode.	Enable
EBM Number	= [0] [1] [2] [3] [4] [5] [6] [7] [8] [9] [10] Set the number of EBM (Extended Battery Modules) to get the correct estimated runtime.	0
Wiring Fault	[Disable] [Enable] Set [Disable] or [Enable] to automatically check for an input wiring fault.	Disable
NCL Control	[Outlet On] [Outlet Off] Set Noncritical Load (NCL) [Outlet On] or [Outlet Off]. When NCL is set to [Outlet Off], the NCL output power will turn off immediately.	Outlet On

USING THE UPS SYSTEM CONT.

LCD Configuration Settings Cont.

CONFIGURE SUBMENU	AVAILABLE SETTINGS	DEFAULT SETTING
Language	[English] [Español-Spanish] [Français-French] [Deutsch-German] User can select the desired LCD control panel language.	English
Generator Mode ²	[Disable] [Enable] When the UPS input power source is a generator set the UPS will operate normally without transferring to Battery Mode when set to [Enable].	Disable
Communication	[Disable] [Enable] All communication ports on the UPS are [Disable] or [Enable].	Enable
Dry Relay Set	[I/P Power Fail] [Battery Low] [Summary Alarm] [UPS On Bypass] [UPS Fail] Select what UPS events will trigger real potential-free dry contacts for industrial control.	I/P Power Fail
Converter Mode ³	[Converter Off] [O/P Freq = 50Hz] [O/P Freq = 60Hz] Sets [O/P Freq = 50Hz] or [O/P Freq = 60Hz] to convert the input frequency to the required output frequency.	Converter OFF
Screen Saver	[Disable] [1 Minutes] [5 Minutes] Sets the amount of time the LCD screen stays on after no user input. The [Disable] option keeps the LCD screen on at all times.	5 minutes
Clear Event Log	[Activate?] Clears all the events stored in the LCD control panel Event Log.	None
Button OFF LOCK	[Disable] [Enable] To prevent accidental UPS power ON/OFF button operation set to [Enable]. The Power ON/OFF button will be locked and will not function.	Disable
Charger Function	[SBM] [Constant] Set [SBM] to activate Smart Battery Management to charge the batteries. Set [Constant] to use trickle charge method to charge the batteries.	SBM

USING THE UPS SYSTEM CONT.

LCD Configuration Settings Cont.

CONFIGURE SUBMENU	AVAILABLE SETTINGS	DEFAULT SETTING
Signal Inputs	[Disable] [EPO] [ROO] Set [EPO] (Emergency Power Off) to shut down the UPS remotely when the contact is open. Set [ROO] (Remote On/Off) to turn the UPS on remotely when the contact is closed and turn the UPS off remotely when the contact is open. The On/Off power button on the front panel will be disabled when set to [ROO].	Disable
Charger Check	[Disable] [Enable] Set [Disable] or [Enable] to constantly monitor the charger function.	Disable
With Transformer	[Disable] [Enable] Set [Enable] when UPS is installed with a step-down transformer.	Disable
Backfeed Check	[Disable] [Enable] Set [Enable] to activate backfeed connector function.	Disable
Reset ReplaceBAT	[Activate?] Manually reset the Battery Replacement date.	None
IP Address	[Mode:DHCP] [Mode:Manual]	Mode:DHCP
	[IP Address] [Subnet Mask] [Gateway] (for [Mode:Manual]) Select [Mode:Manual] to set [IP Address] [Subnet Mask] [Gateway] on the network card (RMCARD) or select DHCP to retrieve IP address settings from the local network DHCP server.	None
Reset Load Energy	[Activate?] Reset Load Energy Consumption (KWH) value.	None

¹ This function can't be set when Manual Bypass, Generator Mode or Converter Mode is enabled.

² UPS has no bypass when Generator Mode is enabled.

³ UPS has no bypass when Converter Mode is enabled. This function can only be set before the UPS is on.

Silencing Audible Alarms

- Press any of the four function buttons on the LCD control panel.
Note: the alarm cannot be turned off for a “**Battery Low**” condition. This condition will still result in an audible alarm.
- Change the “**Audible Alarms**” option to “**Disable**” in the LCD control panel and it will no longer give an audible alarm for any malfunction.

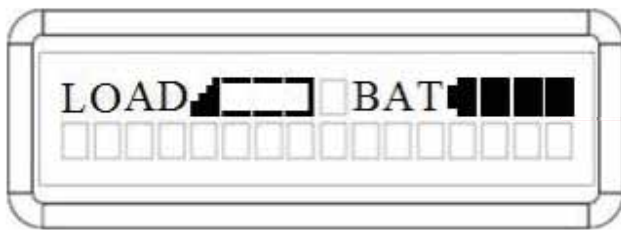
USING THE UPS SYSTEM CONT.

Manual Battery Test

Select “**Activate**” in the “**Battery Test**” option of the LCD control panel and the unit will perform a manual battery test.

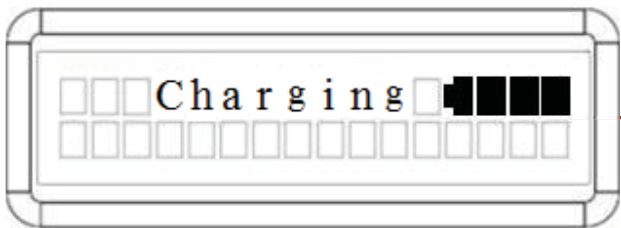
Graphic Load/Battery Capacity Display

1. Press the “ESC” button to return to UPS Status.
2. Press the “▲” and “▼” buttons to scroll to “LOAD” and “BAT” Capacity.
3. Press the “▲” and “▼” buttons to scroll to “Charging” or “Discharging” Capacity.



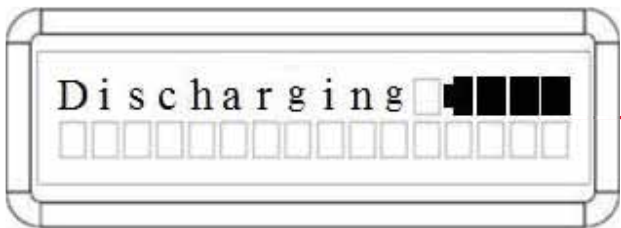
LOAD and BAT Capacity

The LCD screen displays the Load and Battery capacity with a graphical icon.



Charging Capacity

The LCD screen displays the battery capacity during charging with a graphical icon while in Line Mode.



Discharging Capacity

The LCD screen displays the remaining battery capacity with a graphical icon while in Battery Mode.

MAINTENANCE

Storage

To store your UPS for an extended period of time, cover and store it with the battery fully charged. Recharge the battery every three months to ensure battery life.

Battery Replacement

Please read and follow the Safety Instructions before servicing the battery. Battery replacement should be performed by trained personnel who are familiar with the procedures and safety precautions. Make a note of the Replacement Battery part number.

Safety Precautions



Warning: High voltage – Risk of Electric Shock

Only use replacement batteries that are certified by Cyber Power Systems. Use of incorrect battery type is an electrical hazard that could lead to explosion, fire, electric shock, or short circuit.

Batteries contain an electrical charge that can cause severe burns. Before servicing batteries, please remove any conductive materials such as jewelry, chains, wrist watches, and rings.

Do not open or mutilate the batteries. Electrolyte fluid is harmful to the skin/eyes and may be toxic.

To avoid electric shock, turn off and unplug the UPS from the wall receptacle before servicing the battery. Only use tools with insulated handles. Do not lay tools or metal parts on top of the UPS or battery terminals.

Replacement Batteries

Please refer to the front side of the EBM for the model number of the correct replacement batteries. For battery procurement, go to www.cyberpowersystems.com, or contact your local dealer.

When the Replace Battery LED is blinking or the LCD displays Service Battery, use PowerPanel® Business Edition Agent software or log on to the RMCARD to perform a runtime calibration to verify battery capacity is sufficient and acceptable.

Battery Disposal



Do Not Discard

Batteries are considered hazardous waste and must be disposed of properly. Contact your local government for more information about proper disposal and recycling of batteries. Do not dispose of batteries in fire.

Cyber Power Systems encourages environmentally sound methods for disposal and recycling of its UPS products.

Please dispose and/or recycle your UPS and batteries in accordance with local regulations.

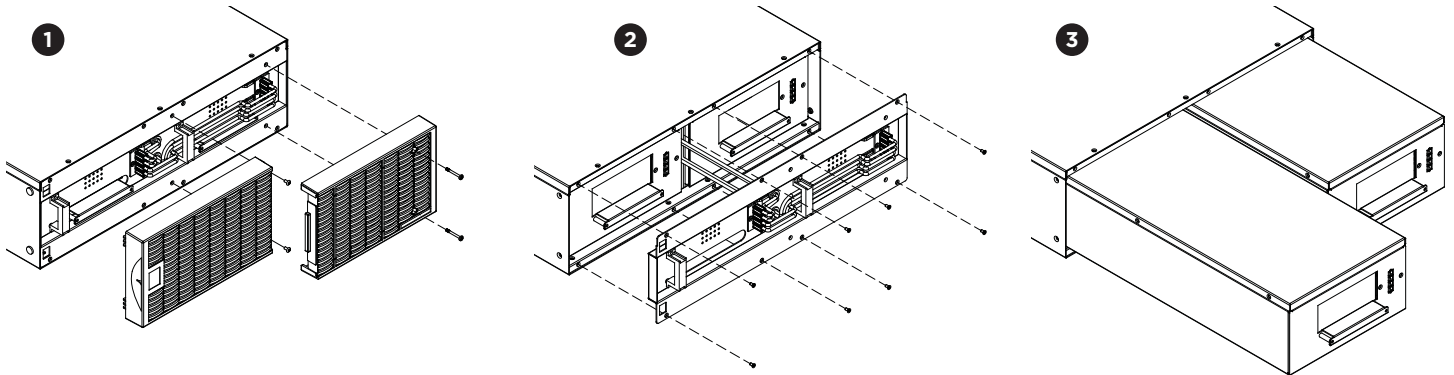
MAINTENANCE CONT.

BATTERY REPLACEMENT

Step 1: Remove the front panels.

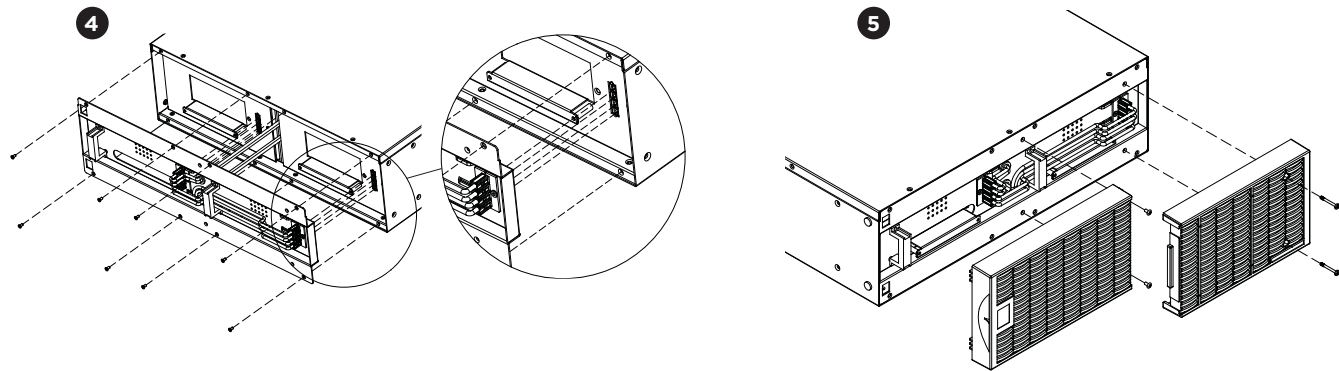
Step 2: Remove the retaining screws from the battery retention cover and then remove the cover itself.

Step 3: Pull the battery trays out slowly and then put the new battery trays into the compartment.



Step 4: Insert the battery connectors and tighten the screws of battery retention cover.

Step 5: Install the front panels. Execute a battery test via the LCD control panel, go to the Configuration Menu, then scroll to the UPS Diagnostic then select battery test and Activate, then scroll to Reset ReplaceBAT to reset the battery replacement date. This operation can also be done via PowerPanel® Business Edition Agent or RMCARD web interface. Please see their respective User Manuals for detailed instructions.



TECHNICAL SPECIFICATIONS

MODELS	OL6KRT	OL8KRT	OL10KRT
CONFIGURATION			
Capacity (VA)	6000 VA	8000 VA	10000 VA
Capacity (Watts)	5400 W	8000 W	10000 W
Form Factor	Rackmount/Tower		
Energy-saving Technology	ECO Mode Efficiency \geq 96%		ECO Mode Efficiency \geq 97%
INPUT			
Input Voltage Range	200-240 V		
Input Frequency Range	40-70 Hz		
Input Power Factor	0.99		
Cold Start	Yes		
OUTPUT			
Output Waveform	Sine wave		
Output Voltage	200, 208, 220, 230, 240 V \pm 2% (Configurable)		
Output Frequency	50/60 Hz \pm 0.25 Hz (Auto-Sensing or Configurable)		
Transfer Time (Typical)	0ms		
Rated Power Factor	0.9	1	1
Harmonic Distortion	THD < 3% at Linear Load, < 5% at Non-linear Load		
Crest Factor	3 : 1		
ECO Mode Bypass Voltage Range	\pm 10%, \pm 15% (Configurable)		
UPS Outlets	(2) L6-20R, (2) L6-30R (3) L6-30R, (1) Terminal block		
PROTECTION			
Surge Protection	IEC 61000-4-5 Level 3 (2430 Joules)		
Phone / Network Surge Protection	RJ11/RJ45 (One In/One Out)		
Overload Protection	Line Mode: 105-125% Load for 1 min, 126-150% Load for 10 sec Battery Mode: 105-130% Load for 10 sec, 131-150% Load for 2 sec		
Short Circuit Protection	UPS Output Cut off Immediately or Input Fuse/Circuit Breaker Protection		
BATTERY			
Specifications	(20) 12 V/7 Ah	(20) 12 V/9 Ah	
Recharge Time 0-90% (Typical)	4 hours	5 hours	

TECHNICAL SPECIFICATIONS CONT.

MODELS	OL6KRT	OL8KRT	OL10KRT
BATTERY CONT.			
Sealed, Maintenance Free	Yes		
Hot-Swappable	Yes		
STATUS INDICATORS			
LCD Screen	Multi-Function LCD Readout that Supports: Multi-Language Interface, (24) Types of Read Out, (27) Types of Function Setting, (5) Event Logs		
LED Indicators	Power On (White), Line Mode (Green), Battery Mode (Yellow), Bypass Mode (Yellow), Fault (Red), Replace Battery (Red)		
Audible Alarms	Battery Mode, Battery Low, Overload, UPS Fault		
ENVIRONMENTS			
On-Device Features	Start-up Self Test, Auto-Charge, Auto-Restart, Auto-Overload Recovery		
Connectivity Ports	(1) Serial Port (RS232), (1) USB Port, (1) Relay Out		
SNMP/HTTP Capable	(1) Remote management card is pre-installed in expansion slot		
SOFTWARE			
Power Management Software	PowerPanel® Business Edition		
PHYSICAL			
Dimensions: Power Module	L x W x H = 26 x 17.05 x 5.2 in. (66 x 43.3 x 13.2 cm)		
Dimensions: Battery Module	L x W x H = 26 x 17.05 x 5.2 in. (66 x 43.3 x 13.2 cm)		
Net Weight: Power Module	52.8 lbs (24 kg)		
Net Weight: Battery Module	167.2 lbs (76 Kg)	171.6 lbs (78 Kg)	
SAFETY			
Conformance Approvals	CE, UL1778, FCC part 15 Class A		
RoHS	RoHS Compliant		

TECHNICAL SPECIFICATIONS CONT.

MODELS	BP240VL3U01	BP240VL3U02
CONFIGURATION		
AC Input Voltage	180-280 V	
DC Output Voltage	240 Vdc	
DC Output Current	30 A	50 A
PHYSICAL		
Dimensions	L x W x H = 26 x 17.05 x 5.2 in (660 x 433 x 132 mm)	
Net Weight	167.2 lb (76 Kg)	171.6 lb (78 Kg)
BATTERY		
Specifications	(20) 12 V/7 Ah	(20) 12 V/9 Ah
Replacement Battery Cartridge	(2) RB1270X10	(2) RB1290X10
Recharge Time 0-90% (Typical)	4 hours	5 hours
Connector Type	PP45	
Hot-Swappable	Yes	
Built-in Charger	Yes	
ENVIRONMENT		
Operating Temperature	32°F to 104 °F (0°C to 40°C)	
Operating Relative Humidity	0 to 90% Non-Condensing	
SAFETY		
Conformance Approvals	CE, UL1778, FCC part 15 Class A	
RoHS	RoHS Compliant	

TROUBLESHOOTING

PROBLEM	POSSIBLE CAUSE	SOLUTION
WARNING		
O/P Overload	Your equipment requires more power than the UPS can provide. If the UPS is in Line Mode then it will transfer to Bypass Mode; if the UPS is in Battery Mode it will shut down.	Shut off non-essential equipment. If this solves the overload problem, the UPS will transfer to normal operation.
Load Over XXX%	Your equipment requires more power than the setting in the Power Management Software (PowerPanel® Business) will allow.	Shut off the non-essential equipment or increase the level in the Power Management Software.
Battery Mode	UPS is operating on battery power.	Save your data and perform a controlled shutdown.
Battery Low	UPS is operating on battery power and will be shutting down soon due to extremely low battery voltage.	UPS will restart automatically when acceptable utility power returns.
BAT Disconnected	No battery power is being detected by the UPS.	Check the battery connector and the battery breaker.
Battery Failure	UPS has failed a Battery Test.	Check the battery connector and the battery breaker. Contact technical support to replace the battery.
Replace Battery	Battery will need to be replaced soon due to insufficient runtime.	Install new batteries, execute battery test, and reset the replace battery date.
Service Battery	The Battery Replacement Date has reached the recommended 3 year maintenance period.	Perform a runtime calibration to verify battery capacity is sufficient and acceptable. If batteries have been recently replaced, then reset the Battery Replacement Date using PowerPanel® Business Edition Agent software, RMCARD web interface or through the LCD control panel on the UPS (See LCD Configuration Settings).
EPO OFF	Missing the EPO connection.	Check the EPO connection.
Wiring Fault*	Line and neutral wires are reversed.	Exchange line and neutral wires.
*Only applicable in areas where 200-240 V electrical service is provisioned with a Neutral line.	Missing ground wire.	Connect ground wire.
	No ground wire.	Disable Wiring Fault alarm on LCD control panel.

TROUBLESHOOTING CONT.

PROBLEM	POSSIBLE CAUSE	SOLUTION
WARNING		
Line Abnormal	Utility power is out of range for the UPS to auto-restart.	Check whether voltage or frequency of input power is out of range.
Output Short	Output short circuit.	The connected equipment may have problems, please remove them and check again.
Over Temperature	High temperature sensor activated protection.	Check the fan for operation and verify that ventilation is not obstructed.
Cold Start Lock	UPS is locked to prevent consuming battery power during shipping.	Connect UPS to utility power for first-time operation.
Auto Restart Lock	“Automatic Restore” is disabled in Power Management Software (PowerPanel® Business Edition).	Press “ON/OFF“ button to turn UPS on.
Bypass Forbidden	Manual Bypass Forbidden when the LCD screen shows “Generator On” or “Converter On.”	Slide the Interlock Bracket to the right. (Only for UPS models with a Maintenance Bypass Module)
FAULT		
Over Charge	Battery is overcharged.	Remove battery connector and check charger voltage. Contact CyberPower for assistance.
Charger Failure	Charger has failed.	
High O/P V	Output voltage is too high.	Shut down UPS and turn off input breaker. Contact CyberPower for assistance.
Low O/P V	Output voltage is too low.	
Bus Fault	Internal DC bus voltage is too high or too low.	Contact CyberPower for assistance.

PRODUCT REGISTRATION

CyberPower requests that you complete and return the Warranty Registration Card enclosed with the Product or register the Product at its website (www.cyberpowersystems.com/registration) to establish that you are the Initial Customer of the Product, and therefore entitled coverage under the Limited Warranty and the Connected Equipment Guarantee. (Registration is not required for coverage, but note: if you do not register your purchase, you will be required to provide proof of purchase.)

LIMITED WARRANTY AND CONNECTED EQUIPMENT GUARANTEE

Read the following terms and conditions carefully before using the CyberPower OL6KRT/OL8KRT/OL10KRT. By using the Product you consent to be bound by and become a party to the terms and conditions of this Limited Warranty and Connected Equipment Guarantee (together referred to as this “Warranty”). If you do not agree to the terms and conditions of this Warranty, you should return the Product for a full refund prior to using it.

Who is Providing this Warranty?

CyberPower Systems (USA), Inc. (“CyberPower”) provides this Limited Warranty.

What Does This Warranty Cover?

This warranty covers defects in materials and workmanship in the Product under normal use and conditions. It also covers equipment that was connected to the Product and damaged because of the failure of the Product.

What is the Period of Coverage?

This warranty covers the Product for three years and connected equipment for as long as you own the Product.

Who Is Covered?

This warranty only covers the original purchaser. Coverage ends if you sell or otherwise transfer the Product.

How Do You Get Warranty Service?

1. Before contacting CyberPower, identify Your Product model number, the Purchase Date, and each item of Connected Equipment.
2. Email us at tech@cpsww.com or Call us at (877) 297-6937.
3. If your product requires warranty service you must provide a copy of your dated purchase receipt or invoice.

LIMITED WARRANTY AND CONNECTED EQUIPMENT GUARANTEE CONT.

How Do You Open A Connected Equipment Claim?

1. Call us at (877) 297-6937 or write to us at Cyber Power Systems (USA), Inc., 4241 12th Ave. E., STE 400, Shakopee, MN 55379, or send us an e-mail message to claims@cpsww.com for instructions, within 10 days of the occurrence.
2. When you contact CyberPower, identify the Product, the Purchase Date, and the item(s) of Connected Equipment. Have information on all applicable insurance or other resources of recovery/payment that are available to the Initial Customer and Request a Claim Number.
3. You must provide a dated purchase receipt (or other proof of the original purchase) for the Cyber Power unit and connected equipment. You also need to provide a description of the damage to your connected equipment.
4. Pack and ship the product to CyberPower and, if requested, the item(s) of Connected Equipment, a repair cost estimate for the damage to the Connected Equipment, and all claim forms that CyberPower provides to you. Show the Claim Number on the shipping label or include it with the product. You must prepay all shipping costs, you are responsible for packaging and shipment, and you must pay the cost of the repair estimate.

How Long Do I Have To Make A Claim?

All claims must be made within ten days of the occurrence.

What Will We Do To Correct Problems?

CyberPower will inspect and examine the Product.

If the Product is defective in material or workmanship, CyberPower will repair or replace it at CyberPower's expense, or, if CyberPower is unable to or decides not to repair or replace the Product (if defective) within a reasonable time, CyberPower will refund to you the full purchase price you paid for the Product (purchase receipt showing price paid is required).

If it appears that our Product failed to protect any equipment plugged into it, we will also send you forms for making your claim for the connected equipment. We will repair or replace the equipment that was damaged because of the failure of our Product or pay you the fair market value (NOT REPLACEMENT COST) of the equipment at the time of the damage. We will use Orion Blue Book, or another a third-party valuation guide, or eBay, craigslist, or other source to establish that amount. Our maximum liability is limited to \$300,000 for OL6KRT/OL8KRT/OL10KRT.

Who Pays For Shipping?

We pay when we send items to you; you pay when you send items to us.

LIMITED WARRANTY AND CONNECTED EQUIPMENT GUARANTEE CONT.

What Are Some Examples Of What This Warranty Does Not Cover?

1. This Warranty does not cover any software that was damaged or needs to be replaced due to the failure of the Product or any data that is lost as a result of the failure or the restoration of data or records, or the reinstallation of software.
2. This Warranty does not cover or apply to: misuse, modification, operation or storage outside environmental limits of the Product or the equipment connected to it, nor for damage while in transit or in storage, nor if there has been improper operation or maintenance, or use with items not designed or intended for use with the Product, such as laser printers, appliances, aquariums, medical or life support devices, etc.

What Other Limitations Apply?

The sole and exclusive remedies of the Initial Customer are those provided by this Warranty.

1. This Warranty does not apply unless the Product and the equipment that was connected to it were connected to properly wired and grounded outlets (including compliance with electrical and safety codes of the most current electrical code), without the use of any adapters or other connectors.
2. The Product must have been plugged directly into the power source and the equipment connected to the Product must be directly connected to the Product and not “daisy-chained” together in serial fashion with any extension cords, another Product or device similar to the Product, surge suppressor, or power tap. Any such installation voids the Limited Warranty.
3. The Product and equipment connected to it must have been used properly in a suitable and proper environment and in conformance with any license, instruction manual, or warnings provided with the Product and the equipment connected to it.
4. The Product must have been used at all times within the limitations on the Product’s VA capacity.

The Product was designed to eliminate disrupting and damaging effects of momentary (less than 1ms) voltage spikes or impulses from lightning or other power transients. If it can be shown that a voltage spike lasting longer than 1ms has occurred, the occurrence will be deemed outside the rated capabilities of the Product and the Limited Warranty is void. CyberPower Does Not Cover or Undertake Any Liability in Any Event for Any of the Following:

1. Loss of or damage to data, records, or software or the restoration of data or records, or the reinstallation of software.
2. Damage from causes other than AC Power Line Transients, spikes, or surges on properly installed, grounded and code-compliant 120 volt power lines in the United States and Canada; transients, surges or spikes on standard telephone land lines, PBX telephone equipment lines or Base 10T Ethernet lines, when properly installed and connected. (This exclusion applies, for example, to fluctuations in data transmission or reception, by CATV or RF transmission or fluctuations, or by transients in such transmission.)
3. Damage from any circumstance described as excluded above with respect to the Product.
4. Damages from fire, flood, wind, rain, rising water, leakage or breakage of plumbing, abuse, misuse or alteration of either the product or the Connected Equipment.

LIMITED WARRANTY AND CONNECTED EQUIPMENT GUARANTEE CONT.

What Other Limitations Apply? Cont.

5. CyberPower excludes any liability for personal injury under the Limited Warranty and Connected Equipment Guarantee. CyberPower excludes any liability for direct, indirect, special, incidental or consequential damages, whether for damage to or loss of property [EXCEPT FOR (AND ONLY FOR) the specific limited agreement of CyberPower to provide certain warranty benefits regarding "Connected Equipment" under this Warranty], loss of profits, business interruption, or loss of information or data. NOTE: Some States or Provinces do not allow the exclusion or limitation of incidental or consequential damages, so the above limitation may not apply to you.
6. The Product is not for use in high-risk activities or with aquariums. The Product is not designed or intended for use in hazardous environments requiring fail-safe performance, or for use in any circumstance in which the failure of the Product could lead directly to death, personal injury, or severe physical or property damage, or that would affect operation or safety of any medical or life support device (collectively, "High Risk Activities"). CyberPower expressly disclaims any express or implied warranty of fitness for High Risk Activities or with aquariums. CyberPower does not authorize use of any Product in any High Risk Activities or with Aquariums. ANY SUCH USE IS IMPROPER AND IS A MISUSE OF THE PRODUCT.

Where Can I Get More Information?

The application of the United Nations Convention of Contracts for the International Sale of Goods is expressly excluded.

CyberPower is the warrantor under this Limited Warranty.

For further information please feel free to contact CyberPower at

Cyber Power Systems (USA), Inc. | 4241 12th Ave E., STE 400, Shakopee, MN 55379
(877) 297-6937 | claims@cpsww.com

CONFORMANCE APPROVAL



FCC NOTICE

This device complies with part 15 of the FCC Rules. Operation is subject to the following two conditions: (1) This device may not cause harmful interference, and (2) this device must accept any interference that may cause undesired operation.

WARNING!! This equipment has been tested and found to comply with the limits for a Class A digital device, pursuant to part 15 of the FCC Rules. These limits are designed to provide reasonable protection against harmful interference when the equipment is operated in a commercial environment. This equipment generates, uses, and can radiate radio frequency energy and, if not installed and used in accordance with the instruction manual, may cause harmful interference to radio communications. Operation of this equipment in a residential area is likely to cause harmful interference in which case the user will be required to correct the interference at his own expense. Shielded signal cables must be used with this product to ensure compliance with the Class A FCC limits.

The Class A digital apparatus meets all requirements of the Canadian Interference-Causing Equipment Regulation.

Cet appareil numérique de la class A respecte toutes les exigences du Règlement sur le matériel brouilleur du Canada.

This document is believed to be accurate, but CyberPower reserves the right to change or correct the contents and does not assume any responsibility for omissions or errors.

Need Additional Help?

Feel free to contact our Tech Support department with installation, troubleshooting, or general product questions.

CyberPower Technical Support

Phone: 1-877-297-6937

Email: tech@cpsww.com

Web: www.cyberpowersystems.com

Address: 4241 12th Avenue E, Suite 400 Shakopee, MN 55379, USA

Hours of Operation:

Monday - Friday, 7:00am - 6:00pm (CST)

CyberPower

Cyber Power Systems, Inc. | www.cyberpowersystems.com

For USA and Canada | 4241 12th Ave East, Suite 400, Shakopee, MN 55379 | Toll-free: 877.297.6937

For all other regions | Please visit our website for local contact information.

Copyright © 2017 Cyber Power Systems, Inc. All rights reserve.