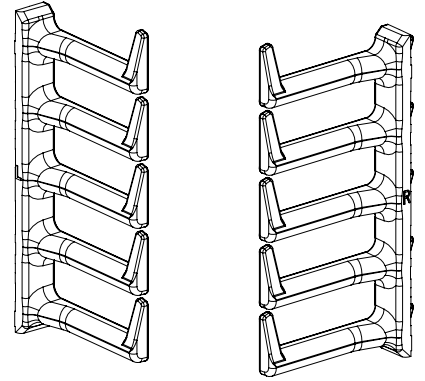
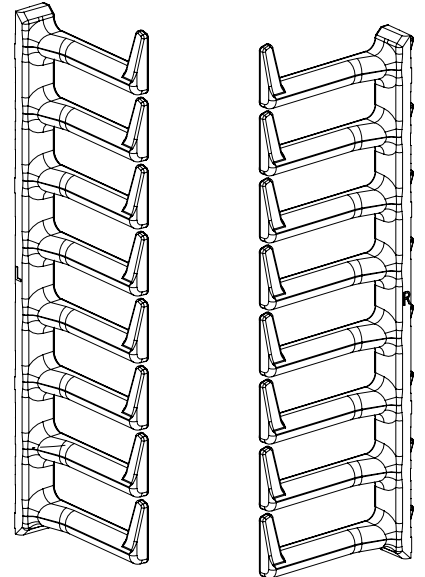


Components Included



5RU LEFT/RIGHT HANDED



8RU LEFT/RIGHT HANDED

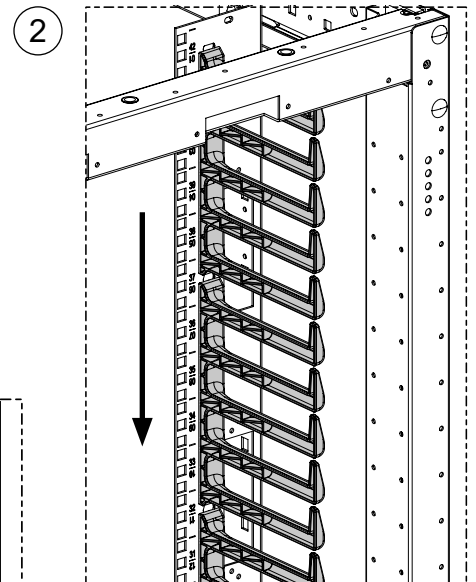
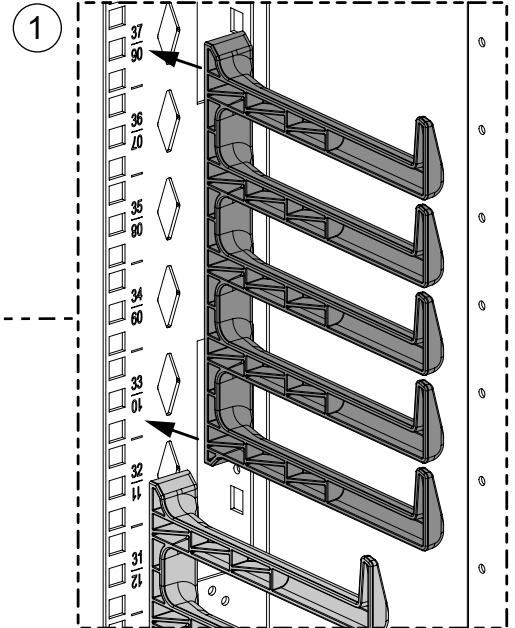
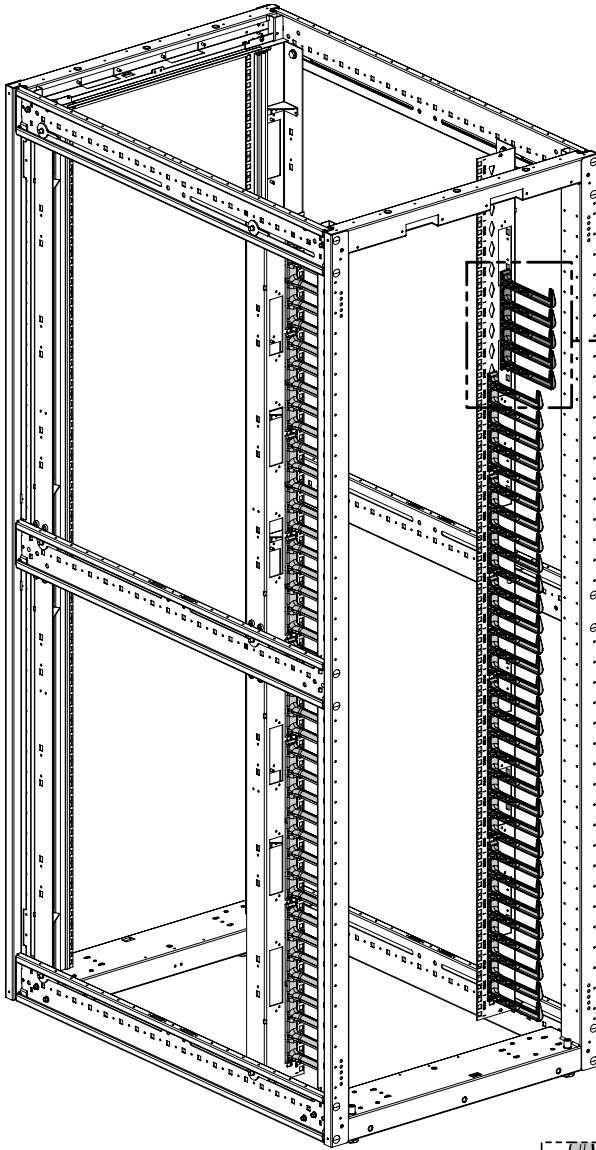
<u>Finger sizes included</u>		
Cabinet Size	5RU	8RU
42RU	5	3
45RU	5	3
48RU	3	4
51RU	2	5

Finger Kit Placement

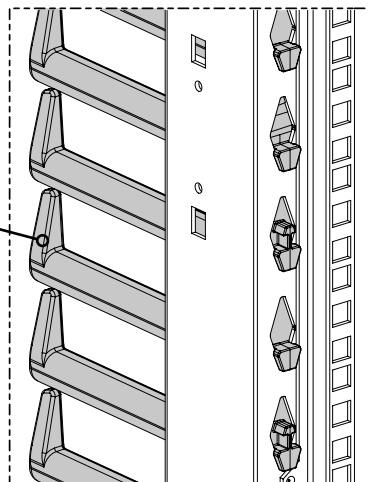
Reference page 3 for a chart locating 5RU and 8RU locations for all FlexFusion Cabinet sizes.

Cable Management Fingers

- Push tabs of the Cable Management Fingers into diamond patterns of Cabinet E-rails.
- Then push tabs of the Cable Management Fingers down to lock in place.



BACKSIDE VIEW



Note: The radius on fingers must face towards the outside of cabinet

Cable Management Fingers Locations

- Follow locations shown below to install Finger Kits

600 Wide Cabinets

600mm x 42RU	
RU	Finger
33 - 41	8RU Finger
28 - 33	5RU Finger
23 - 28	5RU Finger
15 - 20	5RU Finger
10 - 15	5RU Finger
2 - 10	8RU Finger

600mm x 45RU	
RU	Finger
35 - 43	8RU Finger
30 - 35	5RU Finger
25 - 30	5RU Finger
16 - 21	5RU Finger
11 - 16	5RU Finger
3 - 11	8RU Finger

600mm x 48RU	
RU	Finger
39 - 47	8RU Finger
31 - 39	8RU Finger
26 - 31	5RU Finger
18 - 23	5RU Finger
10 - 18	8RU Finger
2 - 10	8RU Finger

600mm x 51RU	
RU	Finger
41 - 49	8RU Finger
33 - 41	8RU Finger
28 - 33	5RU Finger
19 - 24	5RU Finger
11 - 19	8RU Finger
3 - 11	8RU Finger

700 & 800 Wide Cabinets

700mm & 800mm x 42RU	
RU	Finger
37 - 42	5RU Finger
32 - 37	5RU Finger
27 - 32	5RU Finger
22 - 27	5RU Finger
17 - 22	5RU Finger
9 - 17	8RU Finger
1 - 9	8RU Finger

700mm & 800mm x 45RU	
RU	Finger
40 - 45	5RU Finger
35 - 40	5RU Finger
30 - 35	5RU Finger
25 - 30	5RU Finger
17 - 25	8RU Finger
9 - 17	8RU Finger
1 - 9	8RU Finger

700mm & 800mm x 48RU	
RU	Finger
43 - 48	5RU Finger
38 - 43	5RU Finger
33 - 38	5RU Finger
25 - 33	8RU Finger
17 - 25	8RU Finger
9 - 17	8RU Finger
1 - 9	8RU Finger

700mm & 800mm x 51RU	
RU	Finger
46 - 51	5RU Finger
41 - 46	5RU Finger
33 - 41	8RU Finger
25 - 33	8RU Finger
17 - 25	8RU Finger
9 - 17	8RU Finger
1 - 9	8RU Finger

For Instructions in Local Languages and Technical Support:

www.panduit.com/resources/install_maintain.asp

PANDUIT

www.panduit.com

E-mail: techsupport@panduit.com

Phone: 866-405-6654