



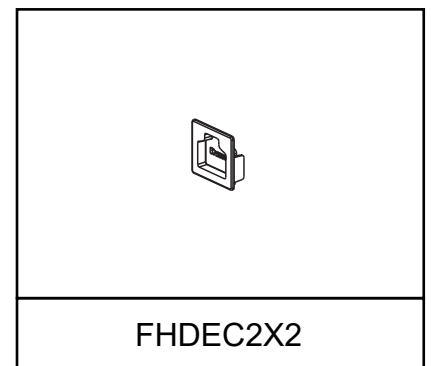
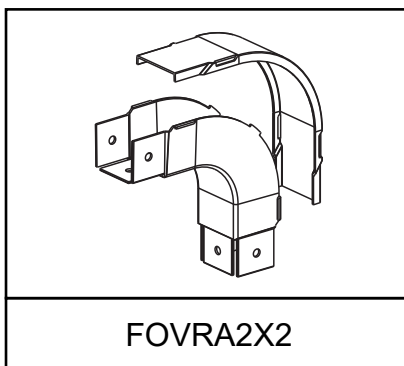
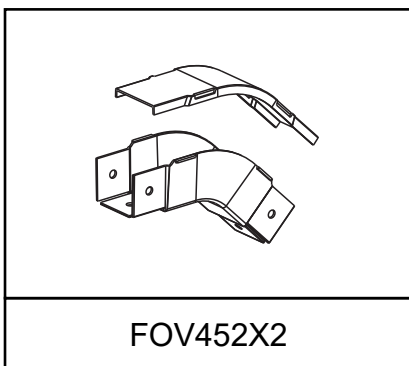
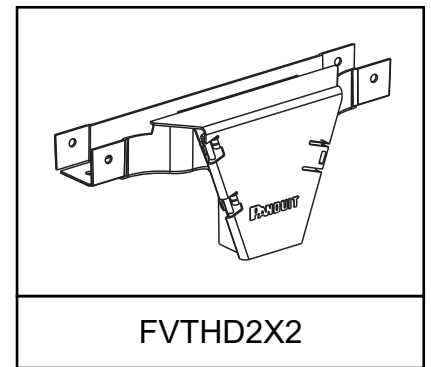
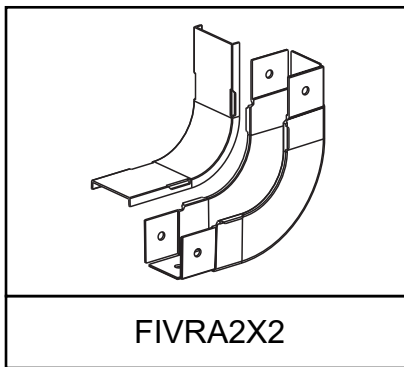
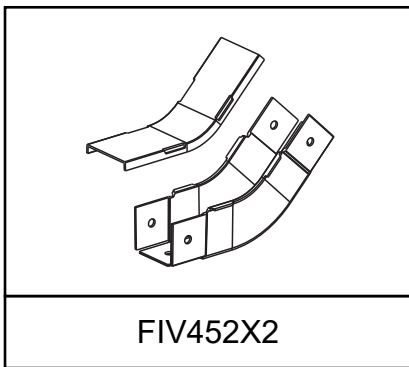
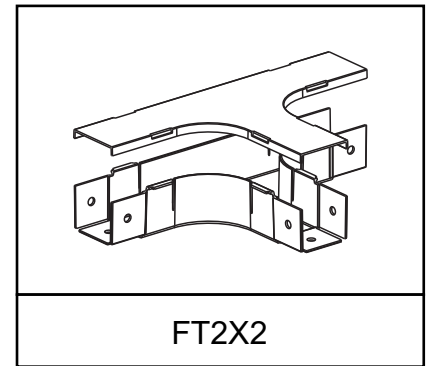
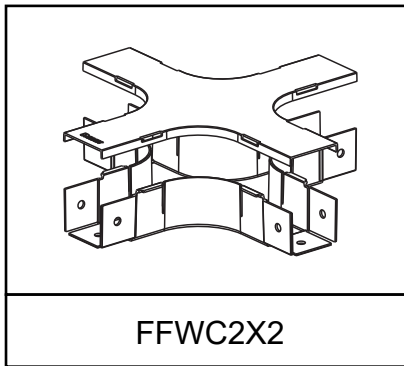
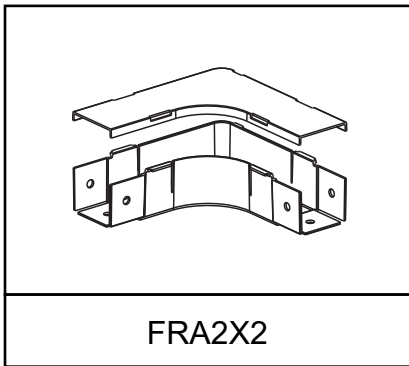
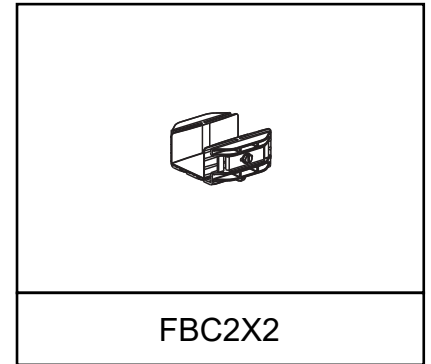
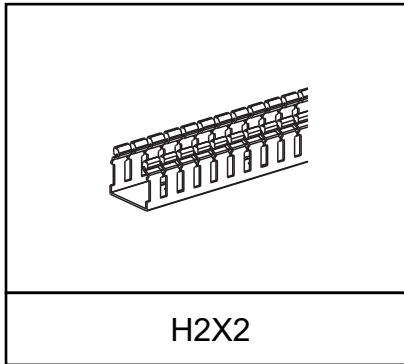
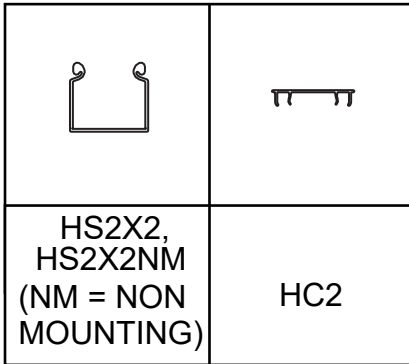
# FIBERRUNNER 2X2 CABLE ROUTING SYSTEM

Part Number(s): HS2X2\*\*, HS2X2\*\*xNM, HC2\*\*, H2X2\*\*, FBC2X2\*\*, FRA2X2\*\*, FFWC2X2\*\*, FT2X2\*\*, FIV452X2\*\*, FIVRA2X2\*\*, FVTHD2X2\*\*, FOV452X2\*\*, FOVRA2X2\*\*, FHDEC2X2\*\*, HS2X2L\*\*xNM, HC2L\*\*, FBC2X2L\*\*, FRA2X2L\*\*, FFWC2X2L\*\*, FT2X2L\*\*, FIV452X2L\*\*, FIVRA2X2L\*\*, FVTHD2X2L\*\*, FOV452X2L\*\*, FOVRA2X2L\*\*, FHDEC2X2L\*\*

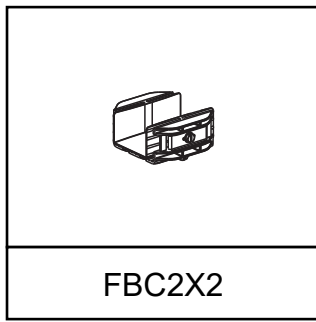
© Panduit Corp. 2020

## INSTALLATION INSTRUCTIONS

RW122

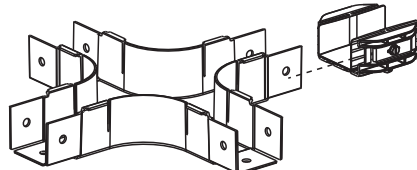


For Technical Support: [www.panduit.com/resources/install\\_maintain.asp](http://www.panduit.com/resources/install_maintain.asp)



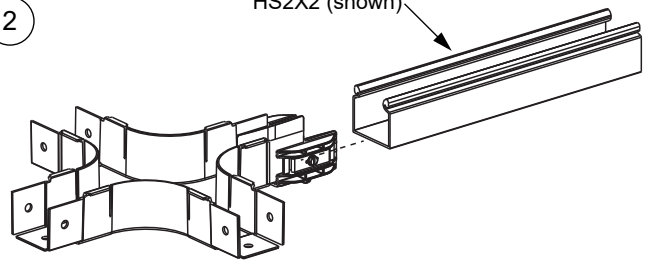
**FIBERRUNNER 2x2 QUIKLOCK Coupler**

1



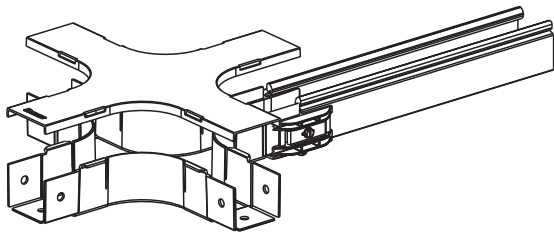
Typical *FIBERRUNNER* 2x2 Fitting

2



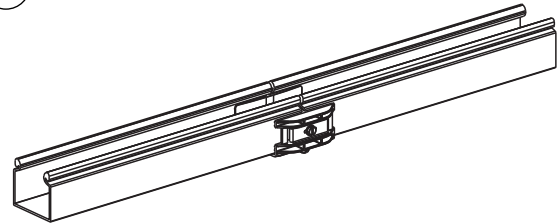
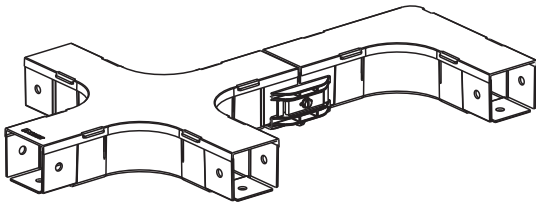
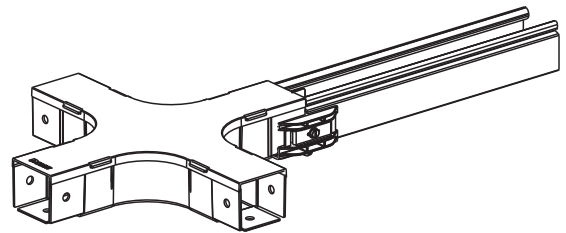
4a Channel-to-Fitting Application

3

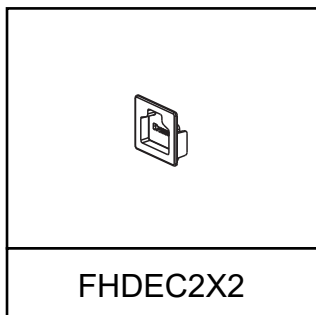
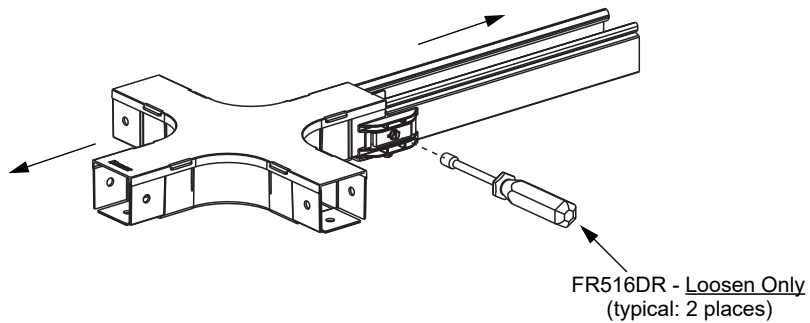


4b Fitting-to-Fitting Application

4c Channel-to-Channel Application

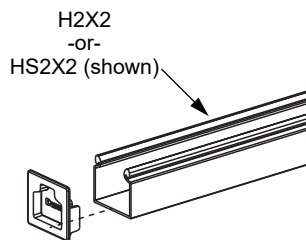


**FIBERRUNNER 2x2 QUIKLOCK Coupler - Disassembly**

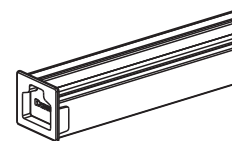


**FIBERRUNNER 2x2 End Cap**

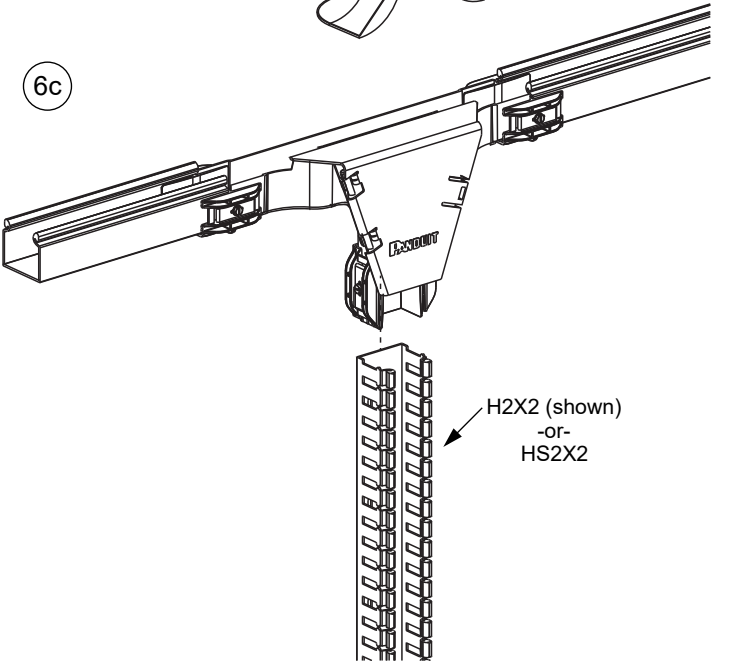
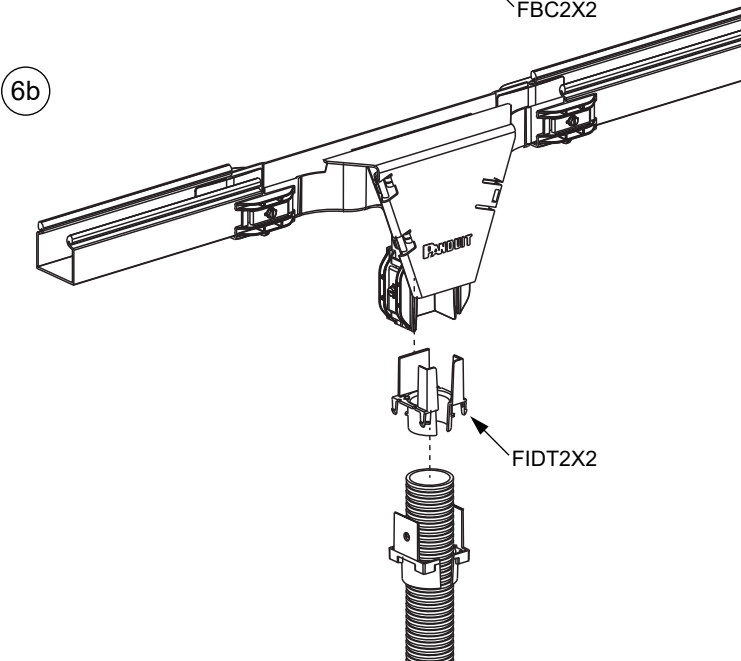
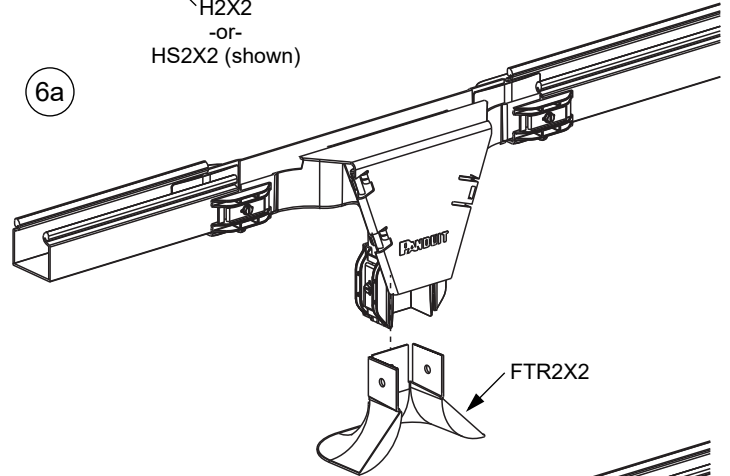
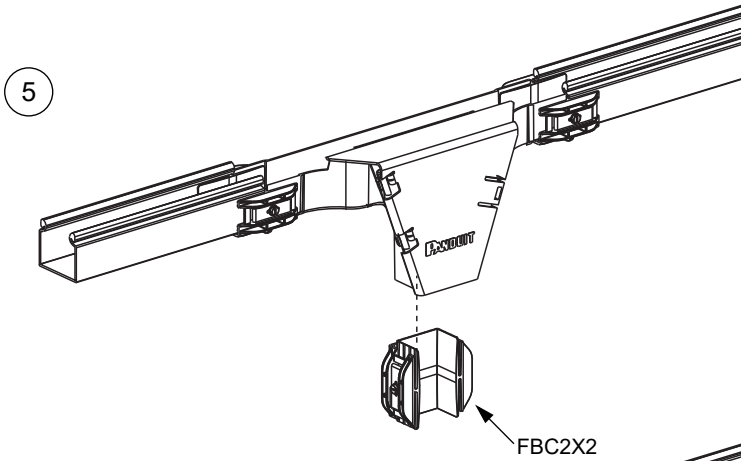
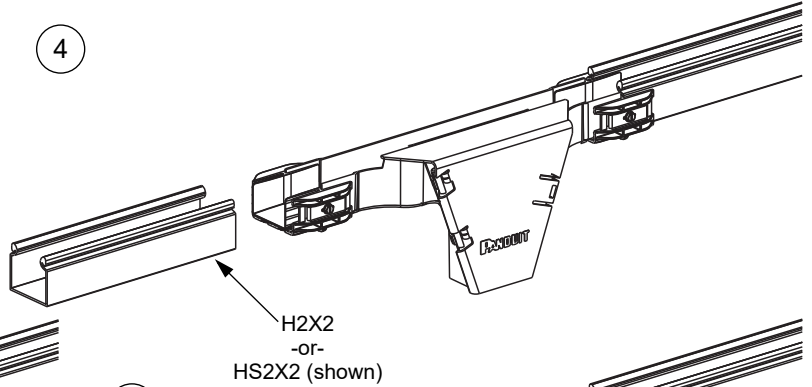
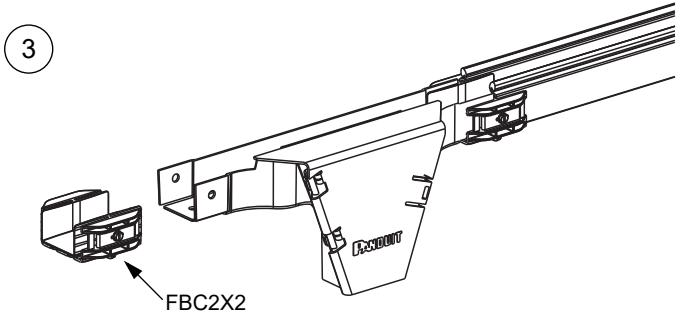
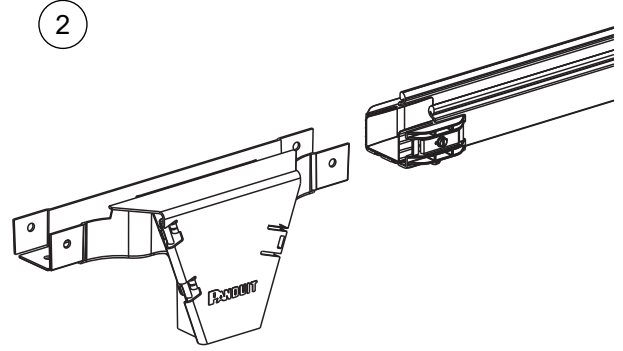
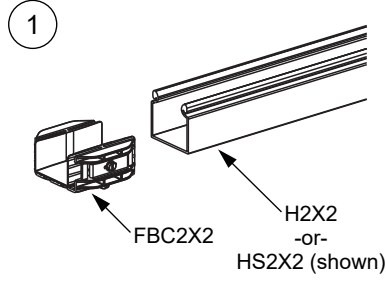
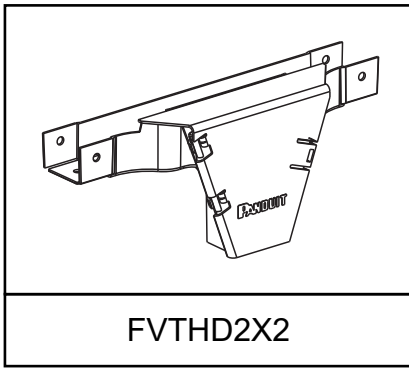
1



2

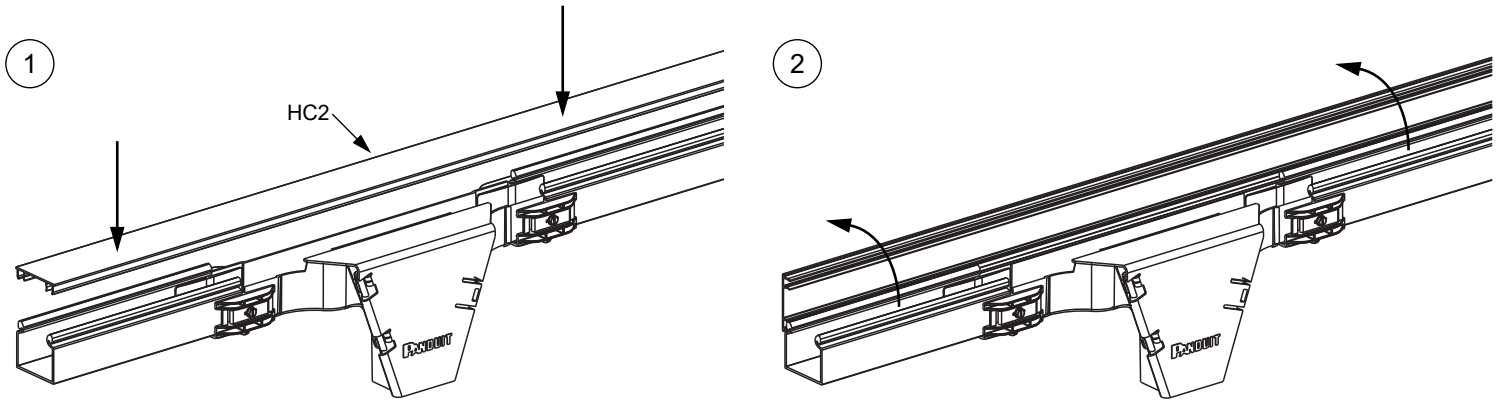


*FIBERRUNNER 2x2 Vertical Tee Fitting*

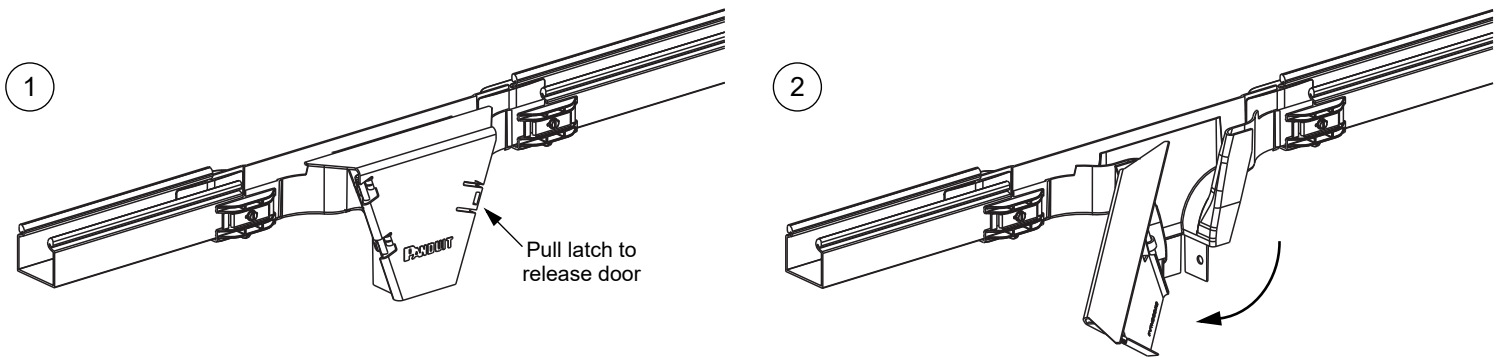


For Technical Support: [www.panduit.com/resources/install\\_maintain.asp](http://www.panduit.com/resources/install_maintain.asp)

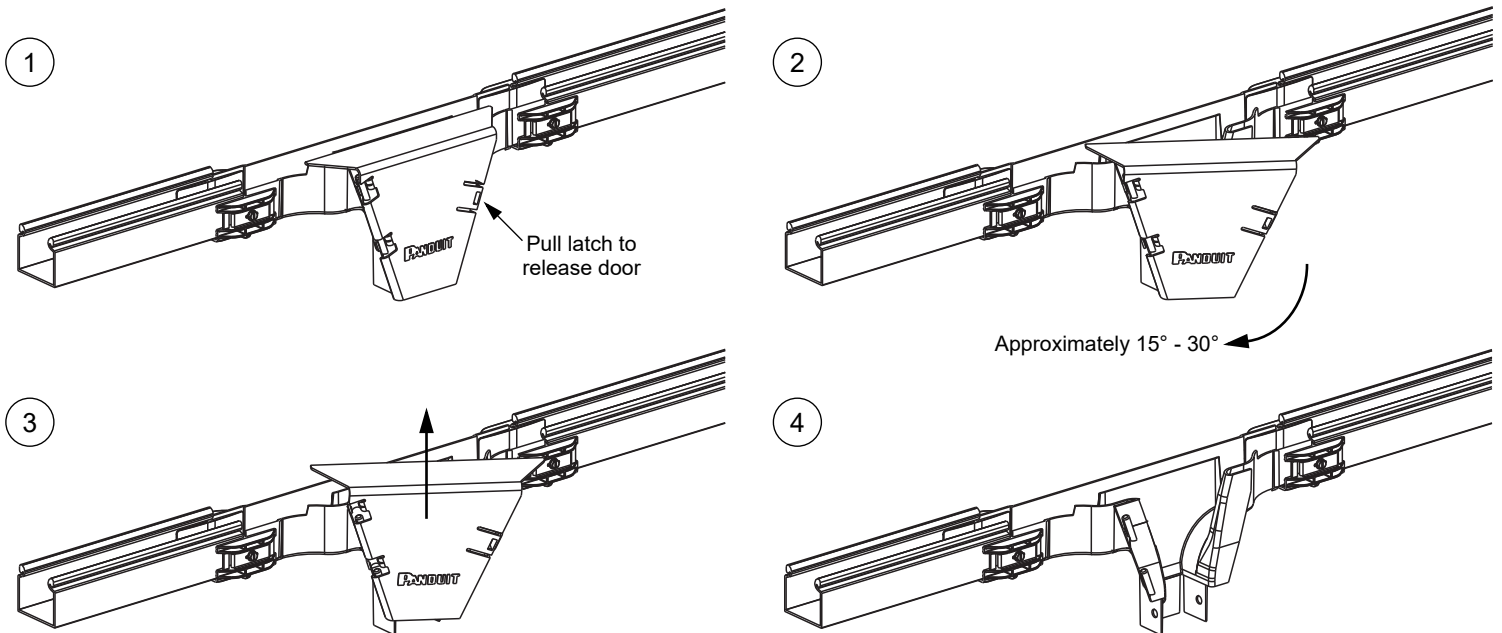
FIBERRUNNER 2x2 Hinged Cover Installation



FIBERRUNNER 2x2 Vertical Tee Fitting Hinged Door Operation



FIBERRUNNER 2x2 Vertical Tee Fitting Hinged Door Removal



<p>For Instructions in Local Languages and Technical Support: <a href="http://www.panduit.com/resources/install_maintain.asp">www.panduit.com/resources/install_maintain.asp</a></p>	<p><b>PANDUIT</b> <a href="http://www.panduit.com">www.panduit.com</a></p>	<p>E-mail: <a href="mailto:techsupport@panduit.com">techsupport@panduit.com</a> Phone: 866-405-6654</p>
--	--	---