



FOR USE WITH PANDUIT PAN-WAY TYPE T70 SURFACE RACEWAY ROUTING SYSTEM

ENTRANCE END FITTING

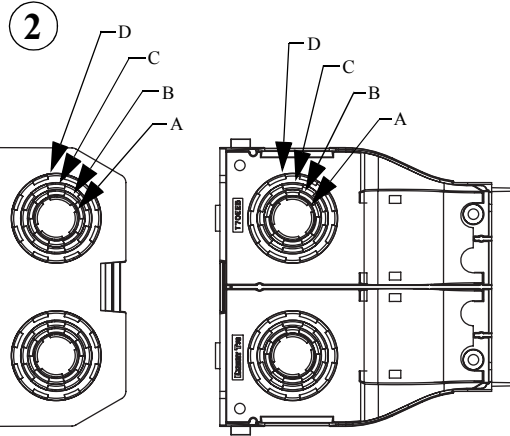
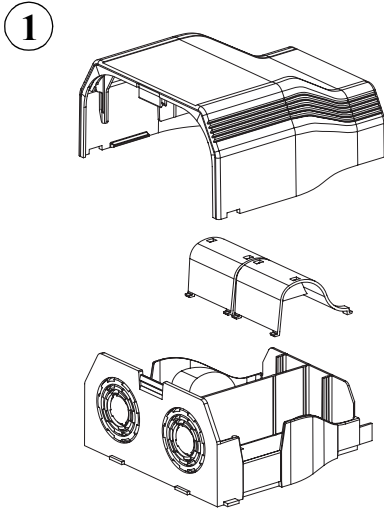
Panduit Part Number: T70EE

INSTALLATION INSTRUCTIONS

©Panduit Corp. 2004

Printed in U.S.A.

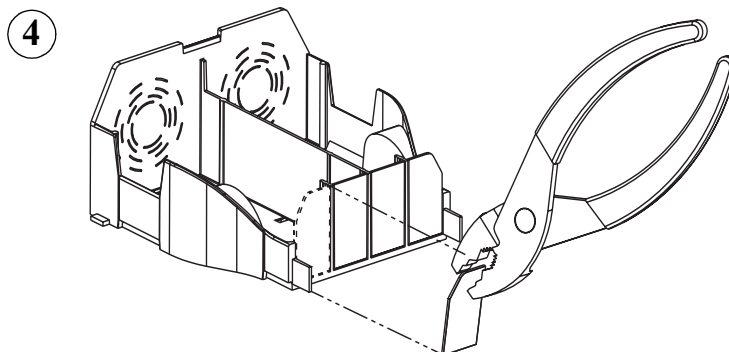
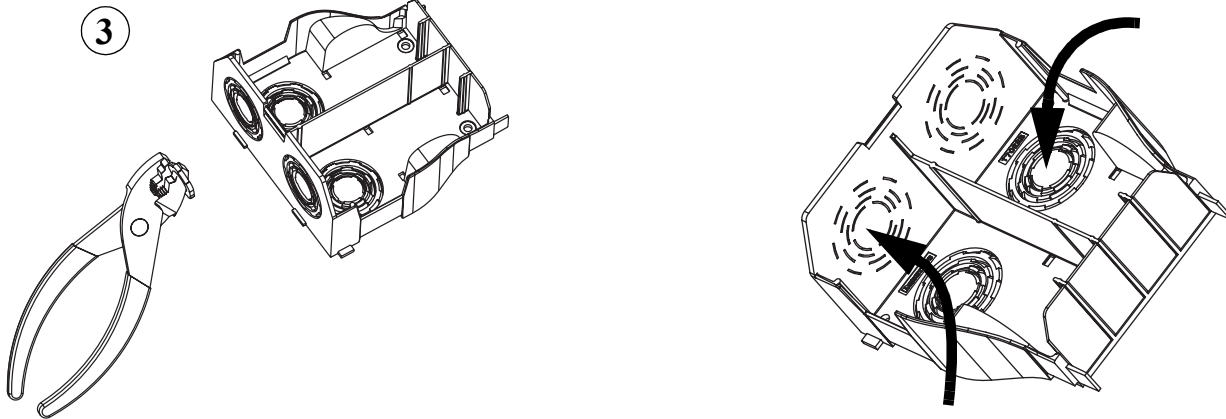
BREAKOUTS



BREAKOUTS

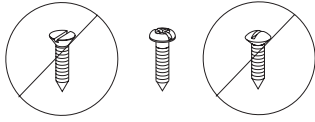
BREAK-OUTS	CONDUIT SIZES
A	1/2"
B	3/4"
C	1"
D	1 1/4"

REMOVING BREAKOUTS

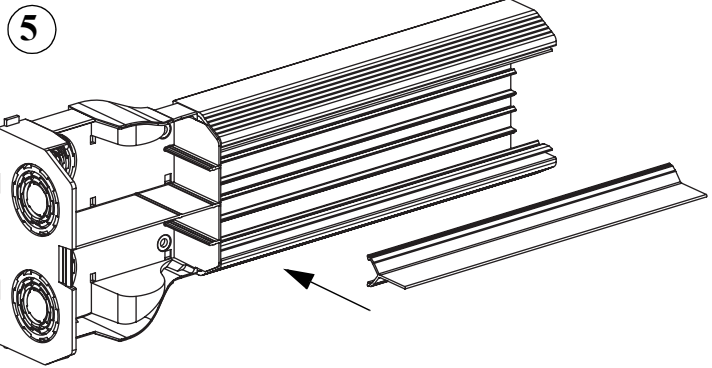


T70 ENTRANCE END FITTING INSTALLATION INSTRUCTIONS

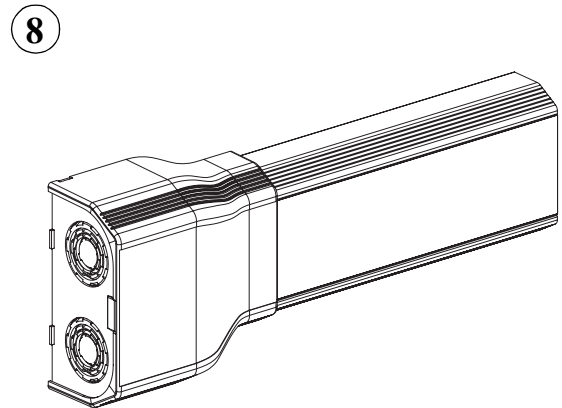
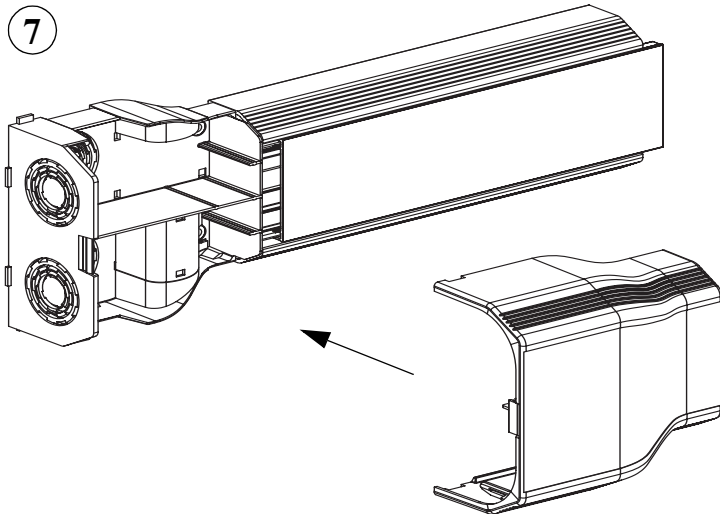
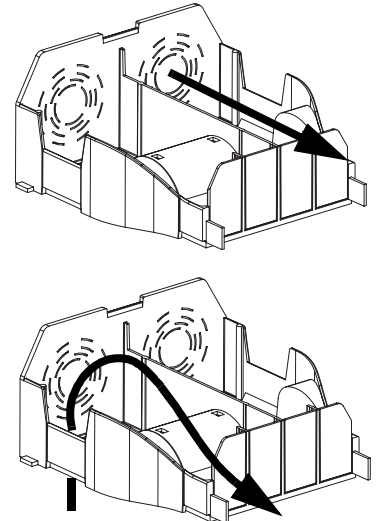
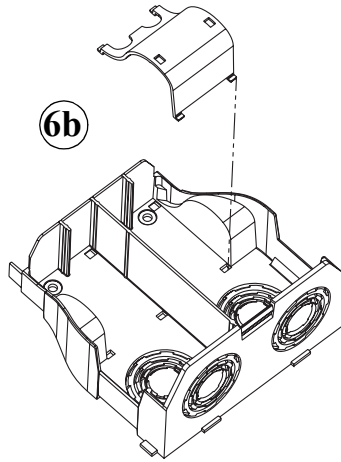
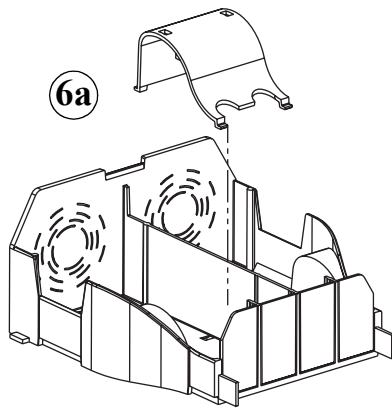
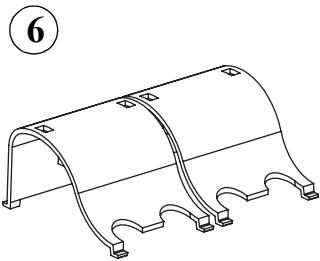
MOUNTING



The mounting hardware used to secure the raceway shall be appropriate for the mounting surface.



POWER/DATA LOW VOLTAGE APPLICATIONS



Instruction Sheet RW03B

WORLDWIDE SUBSIDIARIES AND SALES OFFICES

17301 Ridgeland Avenue
Tinley Park, IL 60477-3091
Web Site: www.panduit.com



RACEWAY SYSTEMS DIVISION

Technical Support: 866-405-6656
Fax: 866-449-1702
Email: netconnsupport@panduit.com