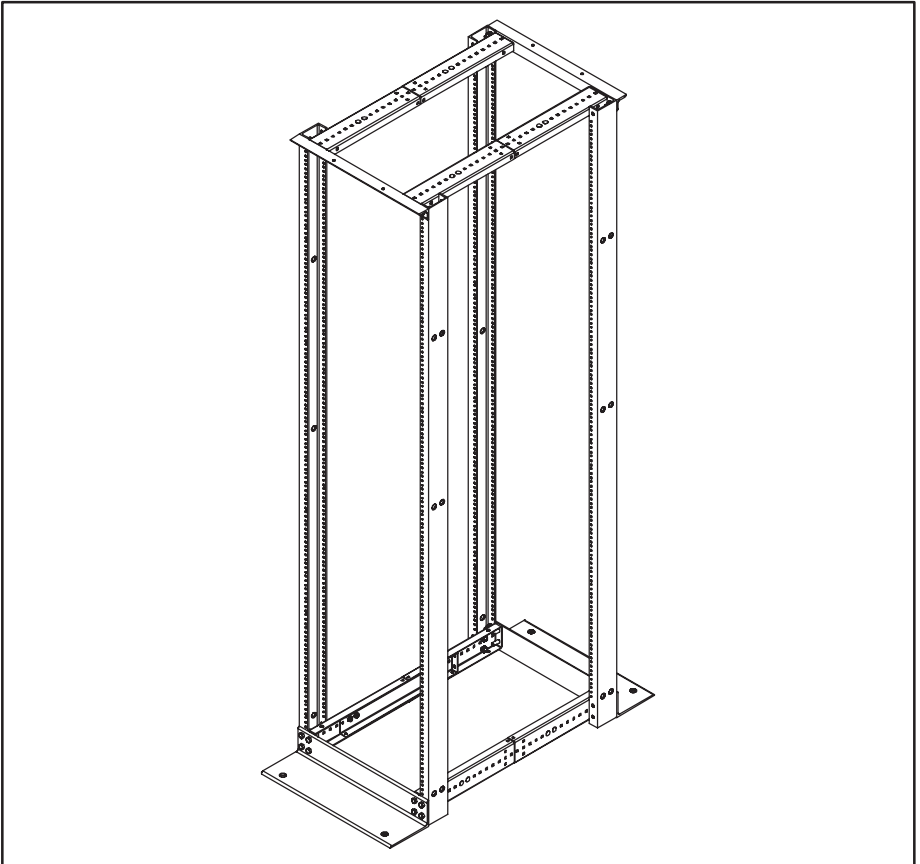




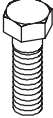




HOFFMAN

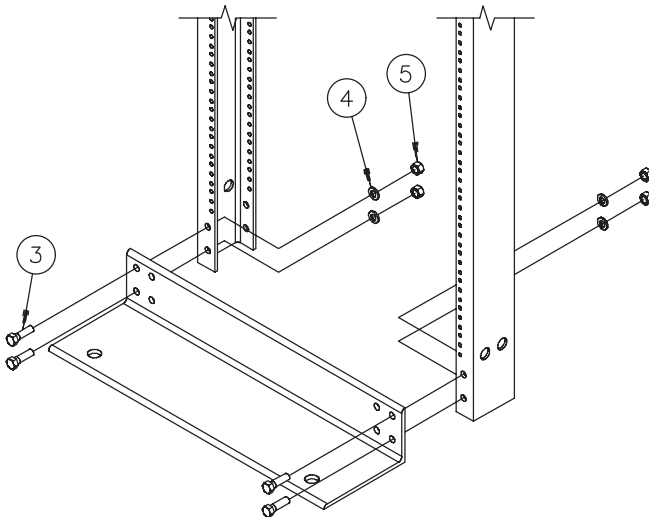
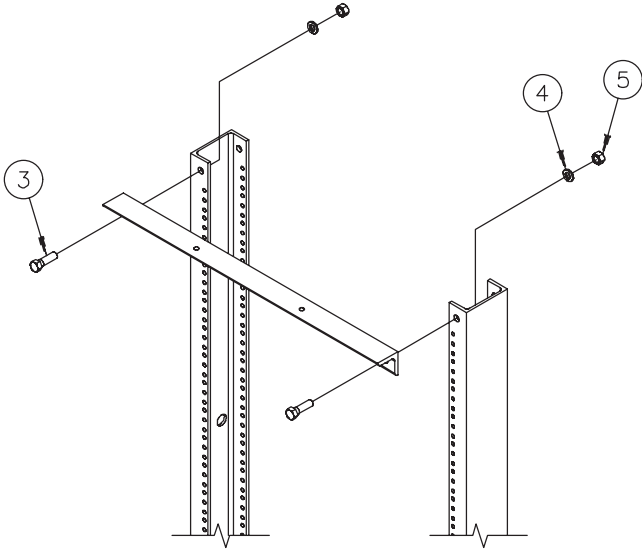
DataCom

4 Post Open Frame Rack



1	1/4-20x.75	2	1/4-20	3	3/8-16x1.00	4	3/8	5	3/8-16
									
20x		20x		32x		32x		32x	

Step 1 (Typical 2x, Front and Back)

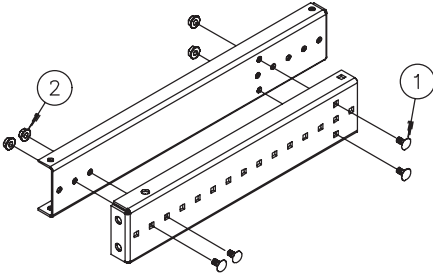


Steps 2

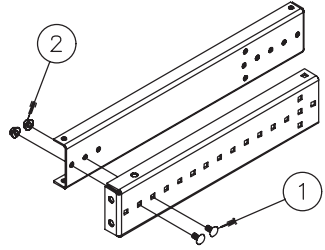
NOTE: Depth of 4 post rack is adjustable by 25mm~1.00 inch increments to depths other than what is shown.

Minimum: 450mm/17.75 inch Deep;
Maximum: 1050mm/41.00 inch Deep.

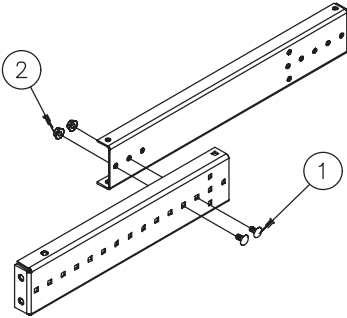
(For 450mm to 725mm, use two brackets as shown; For 750mm to 1050mm, use three brackets as shown)



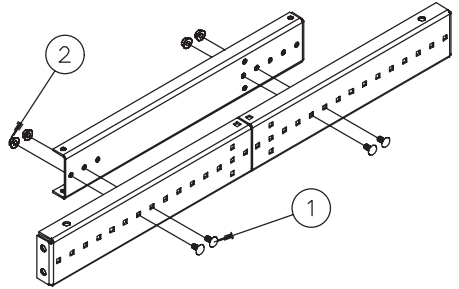
Step 2 (450mm/17.75 inch Deep)



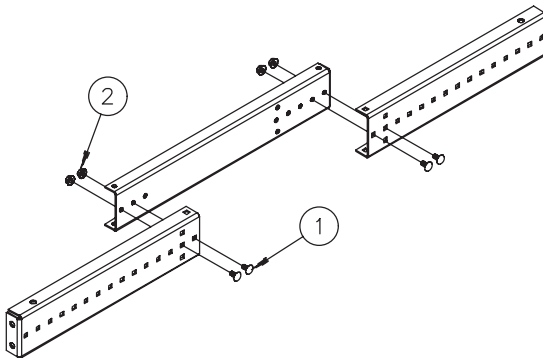
Step 2 (475mm/18.75 inch Deep)



Step 2 (725mm/28.5 inch Deep)

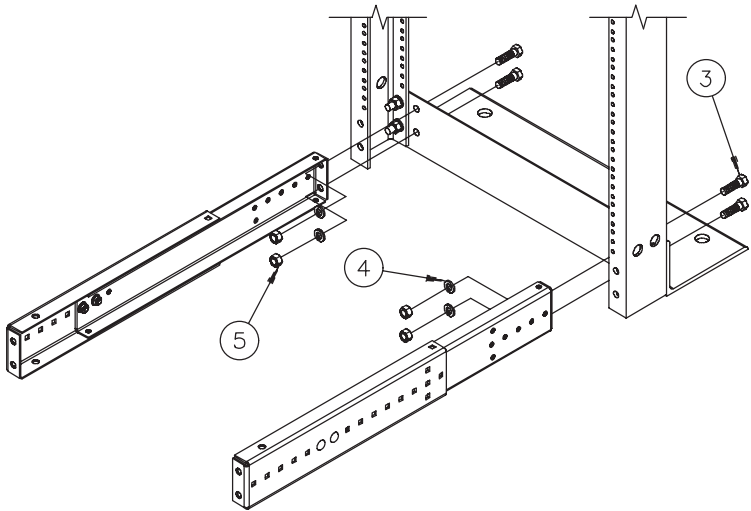
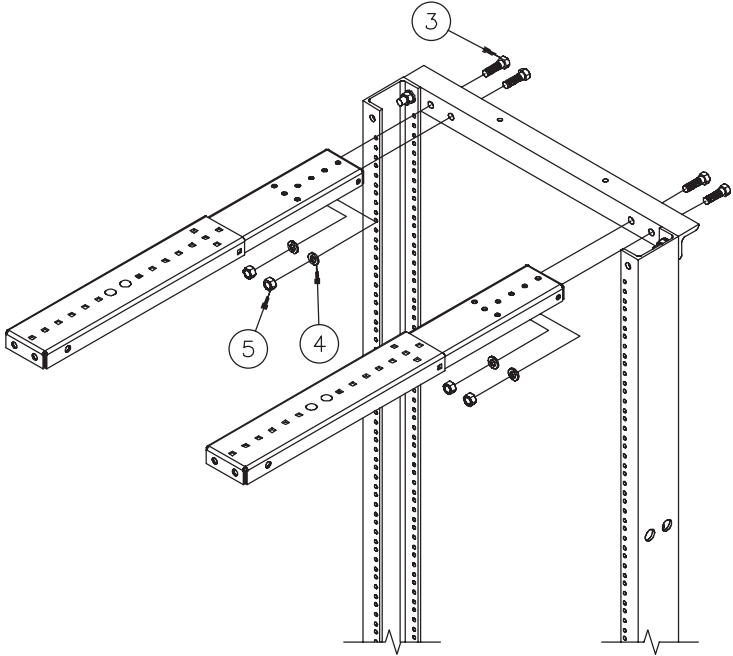


Step 2 (750mm/29.5 inch Deep)

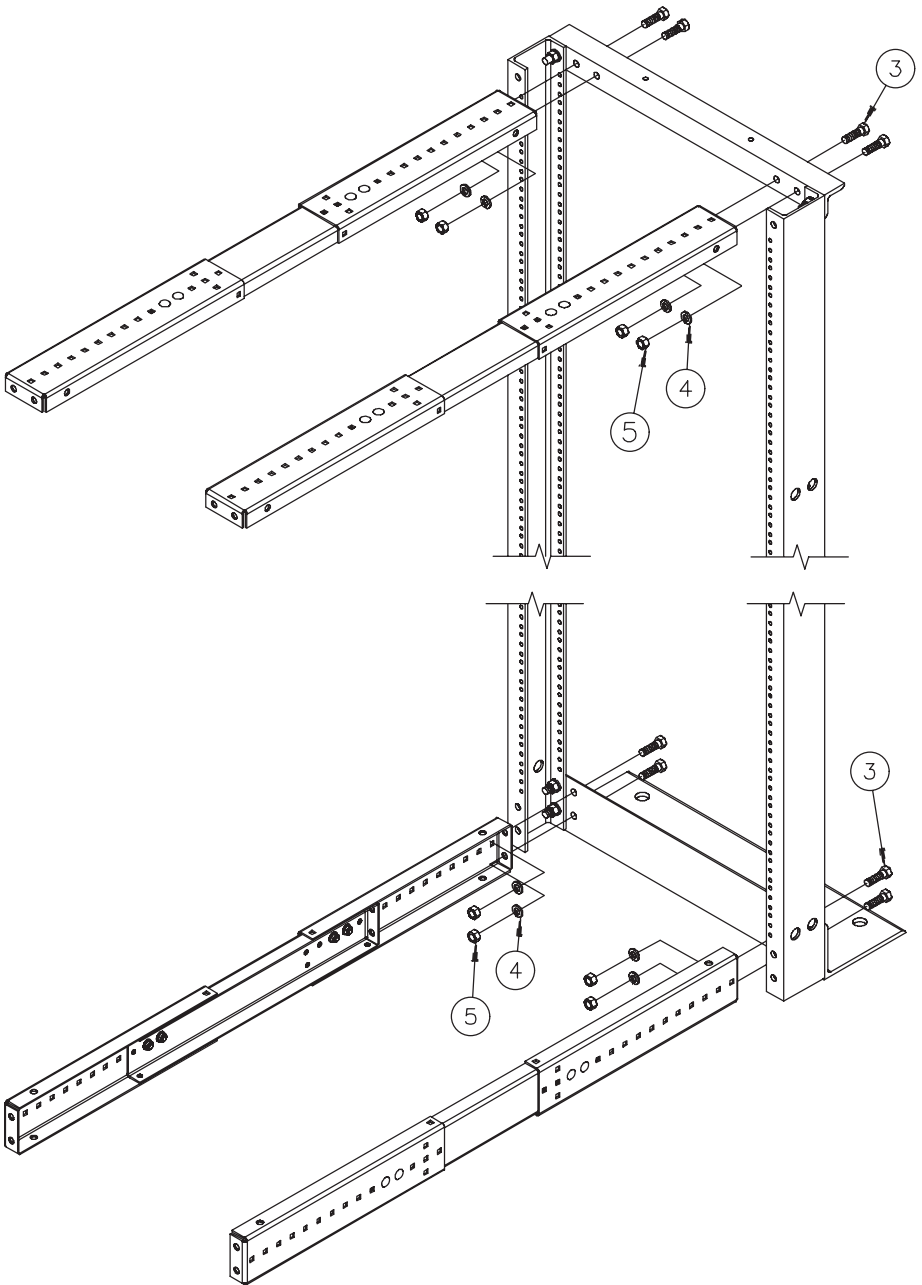


Step 2 (1050mm/41.00 inch Deep)

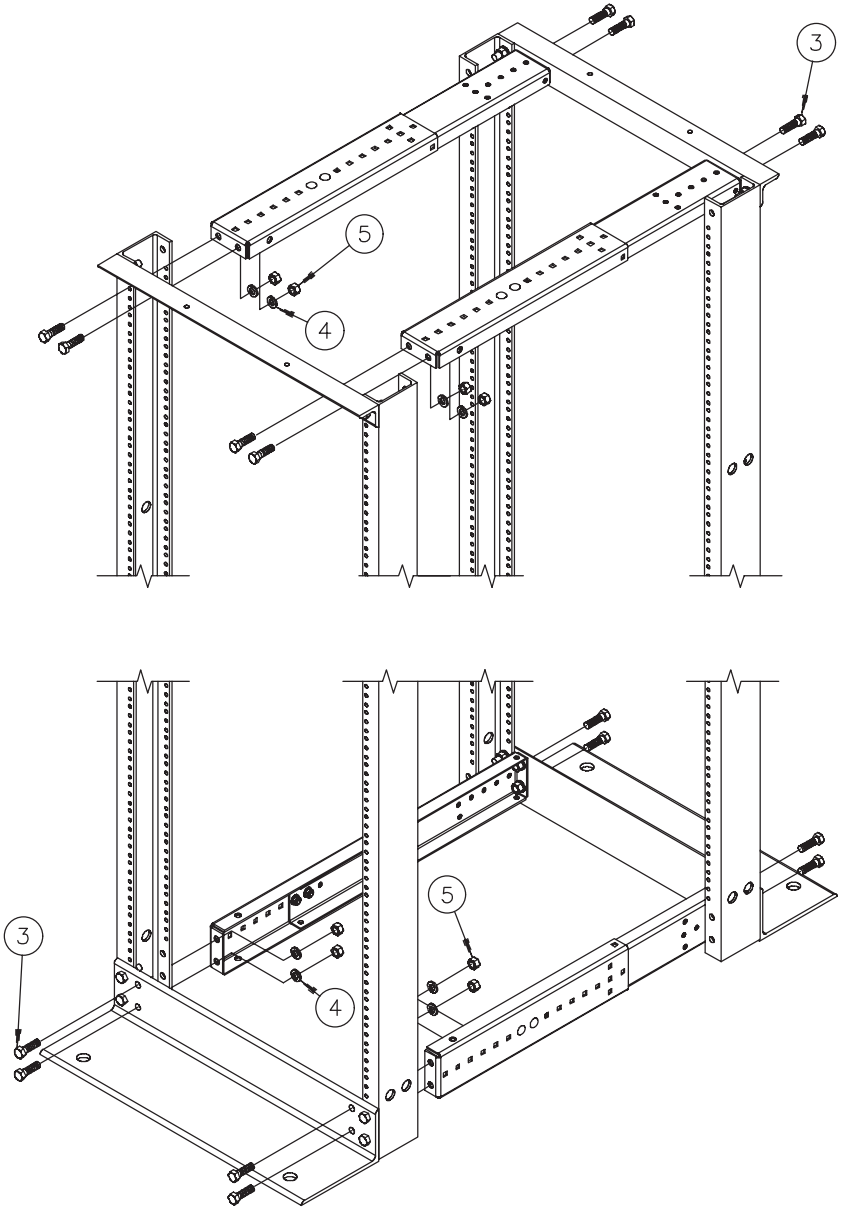
Step 3 (450mm/17.75 inch – 725mm/28.5 Deep) (25mm~1.00 inch increments)



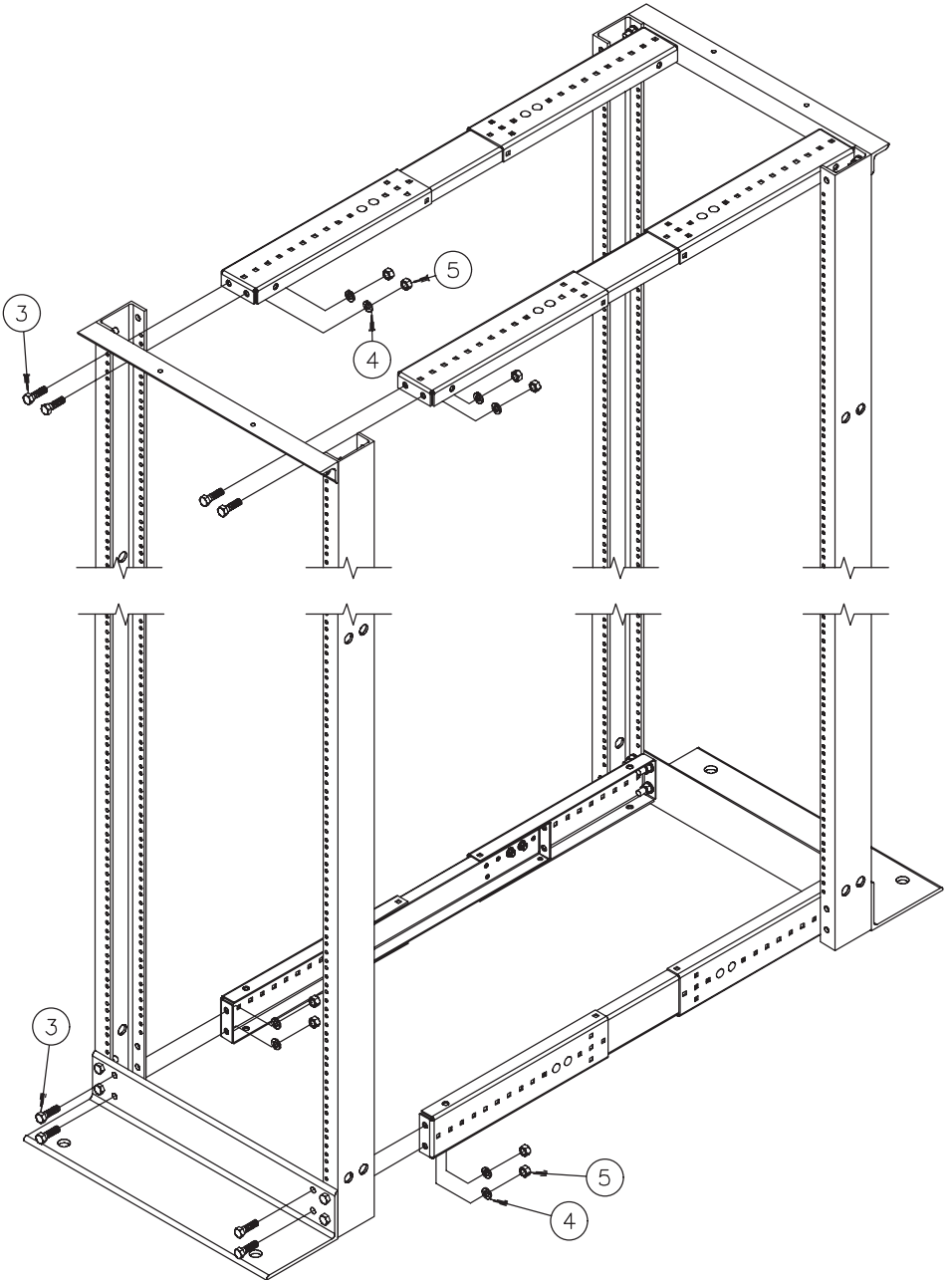
Step 3 (750mm/29.5 inch – 1050mm/41.00 inch Deep) (25mm~1.00 inch increments)



Step 4 (450mm/17.75 inch – 725mm/28.5 inch Deep) (25mm~1.00 inch increments)



Step 4 (750mm/29.5 inch – 1050mm/41.00 inch Deep) (25mm~1.00 inch increments)





HOFFMAN