

MV-GX1000

CXP-6 Frame Grabber



GEN*i*CAM

Introduction

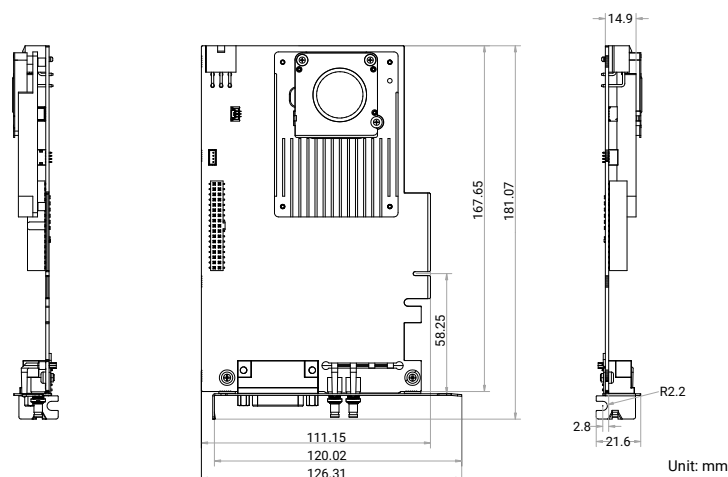
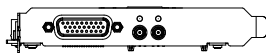
MV-GX1000 CXP frame grabber supports CXP-6 protocol. The frame grabber's DIN connectors can be connected to 1 to 4 cameras with different combinations, and each DIN connector can access up to 6.25 Gbps data transfer speed.

Available Model

2 GB memory, 2-channel: MV-GX1002
 4 GB memory, 4-channel: MV-GX1004

Dimension

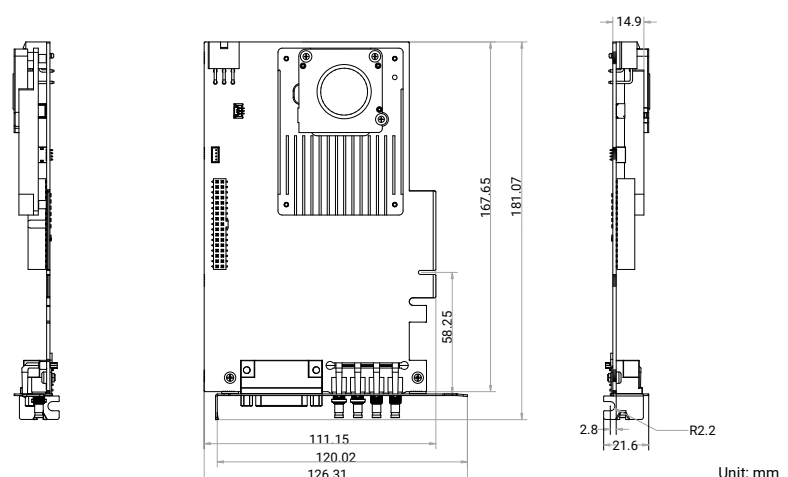
2-Channel



Key Feature

- Supports CXP-6 protocol with each DIN connector accessing up to 6.25 Gbps data transfer speed.
- Supports PoCXP with each channel providing 13 W at most.
- Various indicators indicate frame grabber status in real time.
- Adopts multiple I/O connectors for input and output.
- Provides SDK for secondary development.
- Complies with GenIcam standard.

4-Channel



Specification

Model	MV-GX1002	MV-GX1004
Memory		
On-board memory	2 GB DDR3-RAM	4 GB DDR3-RAM
Host interface		
Interconnect	PCI-E gen2 × 8	
Delivery bandwidth	3900 MB/s (max. transmission bandwidth) 3350 MB/s (sustained transmission bandwidth)	
Bus indicator	1	
Camera interface		
Standard	CoaXPress 1.0/1.1	
Interface	DIN 1.0/2.3 × 2	DIN 1.0/2.3 × 4
Power output	PoCXP, each channel provides 13 W @ 24 VDC at most	
Camera type supported	CXP-6 connector industrial camera	
Camera quantity supported	2 at most	4 at most
Camera connection speed	1.25/2.5/3.125/5/6.25 Gbps (CXP-1/2/3/5/6)	
Stream	2	4
Stream indicator	2	4
Processing feature		
Pixel format	Mono 8/10/12/16 Bayer 8/10/12/16 RGB 8	
GPIO		
I/O Type	Provides 24 I/O connectors, including opto-isolated input × 4 (4.5 VDC to 28 VDC), opto-isolated output × 4 (4.5 VDC to 28 VDC), RX422 input × 4, TX422 output × 4, TTL input × 4, and TTL output × 4	
Connector	HD26 female header	
Electrical feature		
Power consumption	Typ. 13.7 W (without PoCXP)	Typ. 20 W (without PoCXP)
Mechanical		
Dimension	181 mm × 126.3 mm × 21.6 mm (7.1" × 5.0" × 0.9")	
Temperature	Working temperature: 0 °C to 60 °C (32 °F to 140 °F) Storage temperature: -20 °C to 70 °C (-4 °F to 158 °F)	
Humidity	10% RH to 95% RH (no condensation)	
General		
Client software	MVS	
Operating system	Windows 7/10/11, Ubuntu16.04 to 20.04 on Linux	
Certification	RoHS, CE, KC	