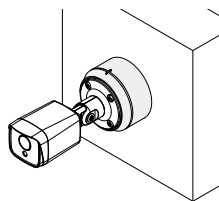


# DA-JB4100 INSTALLATION MANUAL

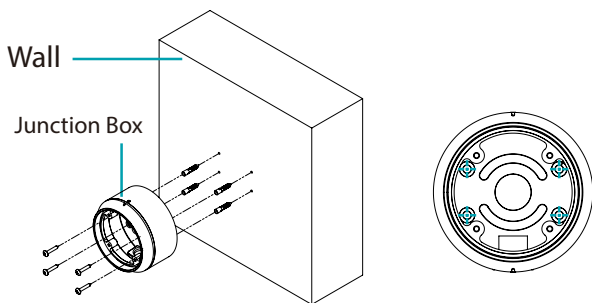


This manual is intended for users of the DA-JB4100 junction box. It includes instructions for mounting the DA-JB4100 junction box to a wall.

- **This junction box is intended to be used with some models of cameras. Do not use it with other models of cameras.**
- **This installation should be performed by a qualified service personnel in conformance to all local codes.**
- **You may need to reinforce the wall. If the wall is not strong enough to support the camera, the camera may fall.**
- **Do not use this product for other purposes.**

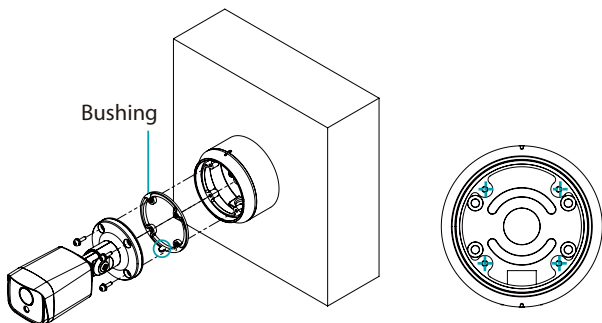
## Mounting

Mount the junction box to the wall and connect your camera as follows:



- 1 Mount the junction box to the wall by using the screws and the anchors.

- Use the provided guide pattern to check the distance between the screw holes if necessary.



- 2 Insert the bushing to the junction box. Match the cable hole of the product, the projection of the silicon bushing, and the PT 3/4" cap.
- 3 Insert cables from external devices, network and power adapter to the junction box like a round wound.
- 4 Screw the camera to the bushing.

Before fixing the product, make sure to seal the inside of the bracket and the hole to the wall with silicone seal.

## Dimensions

Unit: mm (inch)

