



## Horn Loudspeaker

LBC 3482/00, LBC 3483/00, LBC 3484/00

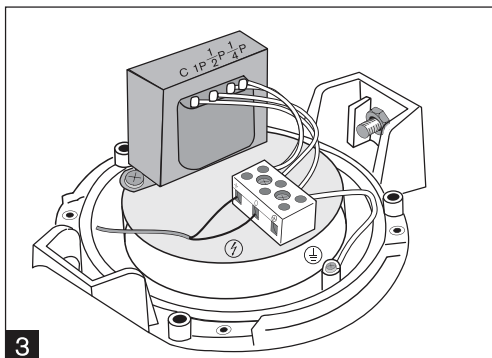
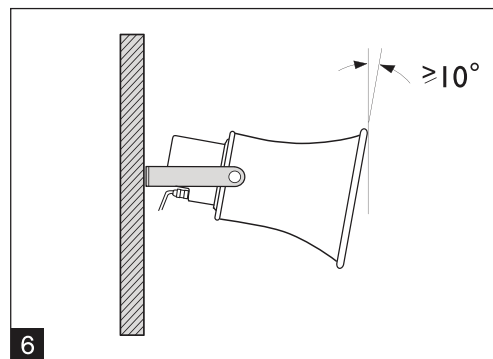
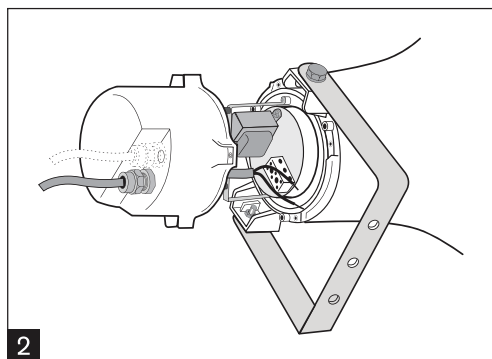
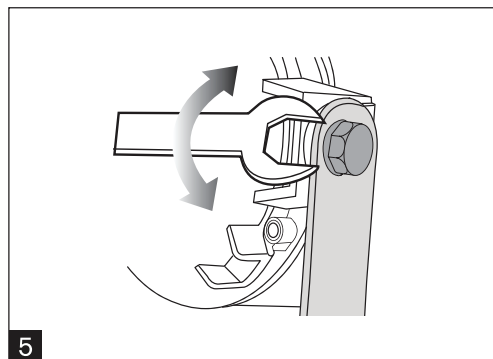
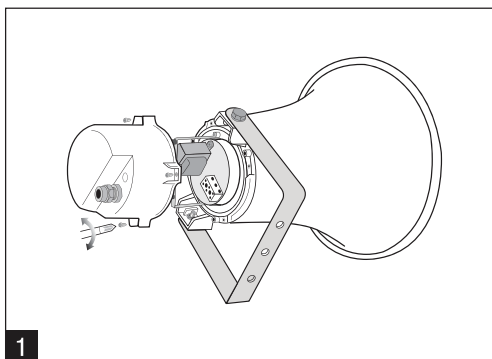


**BOSCH**

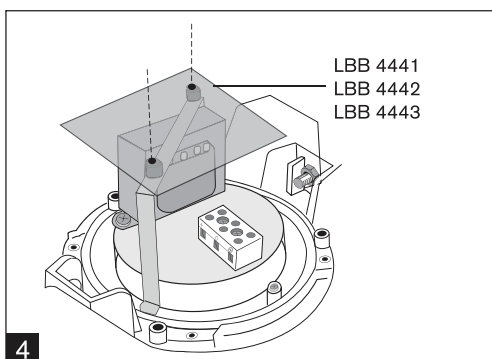
**en** Installation note



# 1 Installation



LBC 3482/00	LBC 3483/00	LBC 3484/00
1 = 25 W	1 = 35 W	1 = 50W
1/2 = 12.5 W	1/2 = 17.5 W	1 /2 = 25W
1/4 = 6.25 W	1/4 = 8.75 W	1/ 4 = 12.5w



## 2 Technical data

### LBC 3482/00

#### Electrical\*

Maximum power	37.5 W
Rated power	25 / 12.5 / 6.25 W
Sound pressure level at 25 W / 1 W (1 kHz, 1 m)	121 dB / 107 dB (SPL)
Effective frequency range (-10 dB)	550 Hz to 5 kHz
Opening angle at 1 kHz/4 kHz (-6 dB)	70° / 25°
Rated voltage	100 V
Rated impedance	400 ohm
Connector	Screw terminal block

\* Technical performance data acc. to IEC 60268-5

#### Mechanical

Dimensions (L x Dmax)	425 x 355 mm (16.7 x 14 in)
Weight	3.6 kg (8 lb)
Color	Light gray (RAL 7035)
Cable diameter	6 mm to 12 mm (0.24 in to 0.47 in)

#### Environmental

Operating temperature	-25 °C to +55 °C (-13 °F to +131 °F)
Storage and transport temperature	-40 °C to +70 °C (-40 °F to +158 °F)
Relative humidity	<95%

**LBC 3483/00****Electrical\***

Maximum power	52.5 W
Rated power	35 / 17.5 / 8.75 W
Sound pressure level at 35 W / 1 W (1 kHz, 1 m)	127 dB / 112 dB (SPL)
Effective frequency range (-10 dB)	380 Hz to 5 kHz
Opening angle at 1 kHz/4 kHz (-6 dB)	50° / 25°
Rated voltage	100 V
Rated impedance	286 ohm
Connector	Screw terminal block

\* Technical performance data acc. to IEC 60268-5

**Mechanical**

Dimensions (L x Dmax)	499 x 490 mm (20 x 19.6 in)
Weight	4.5 kg (9.9 lb)
Color	Light gray (RAL 7035)
Cable diameter	6 mm to 12 mm (0.24 in to 0.47 in)

**Environmental**

Operating temperature	-25 °C to +55 °C (-13 °F to +131 °F)
Storage and transport temperature	-40 °C to +70 °C (-40 °F to +158 °F)
Relative humidity	<95%

**LBC 3484/00****Electrical\***

Maximum power	75 W
Rated power	50 / 25 / 12.5 W
Sound pressure level at 50 W / 1 W (1 kHz, 1 m)	127 dB / 110 dB (SPL)
Effective frequency range (-10 dB)	350 Hz to 4 kHz
Opening angle at 1 kHz/4 kHz (-6 dB)	60° / 28°
Rated voltage	100 V
Rated impedance	200 ohm
Connector	Screw terminal block

\* Technical performance data acc. to IEC 60268-5

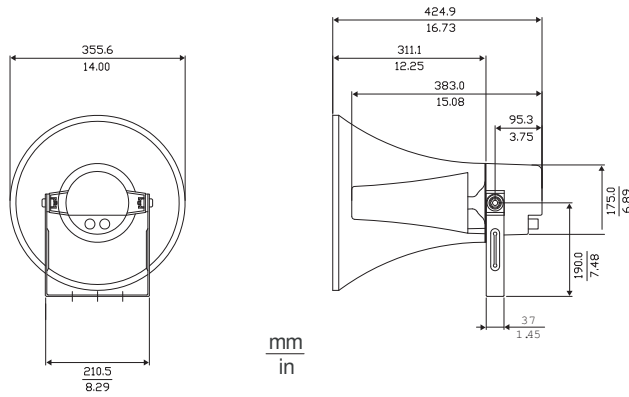
**Mechanical**

Dimensions (L x Dmax)	499 x 490 mm (20 x 19.6 in)
Weight	6 kg (13.22 lb)
Color	Light gray (RAL 7035)
Cable diameter	6 mm to 12 mm (0.24 in to 0.47 in)

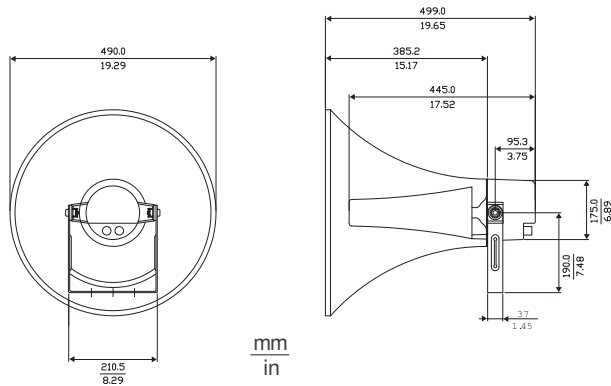
**Environmental**

Operating temperature	-25 °C to +55 °C (-13 °F to +131 °F)
Storage and transport temperature	-40 °C to +70 °C (-40 °F to +158 °F)
Relative humidity	<95%

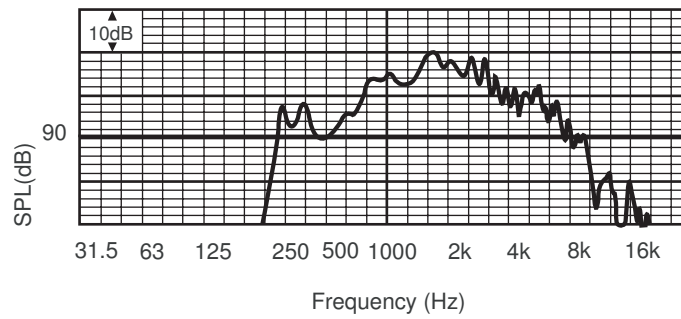
## 2.1 Additional technical data



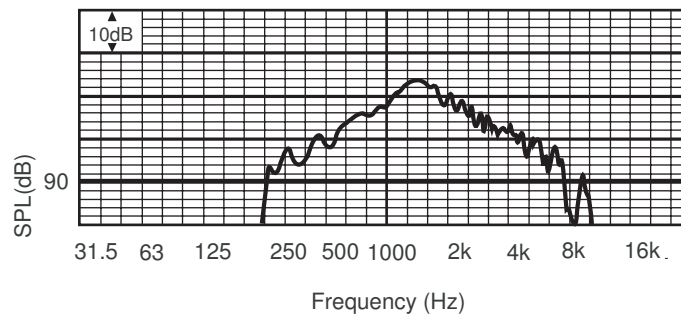
**Dimensions LBC 3482/00**



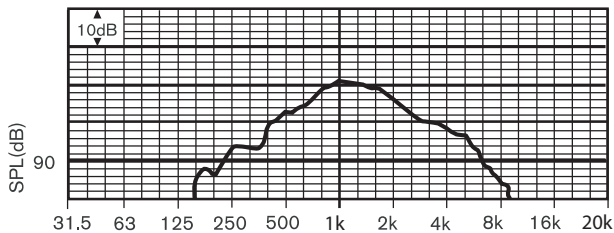
**Dimensions LBC 3483/00 and LBC 3484/00**



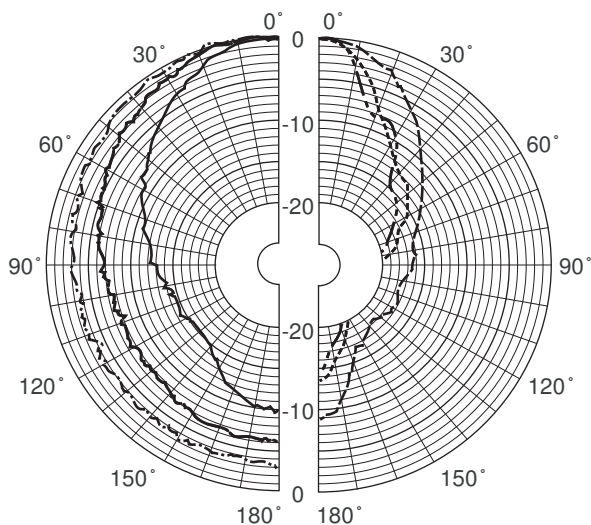
**Frequency response LBC 3482/00**



**Frequency response LBC 3483/00**

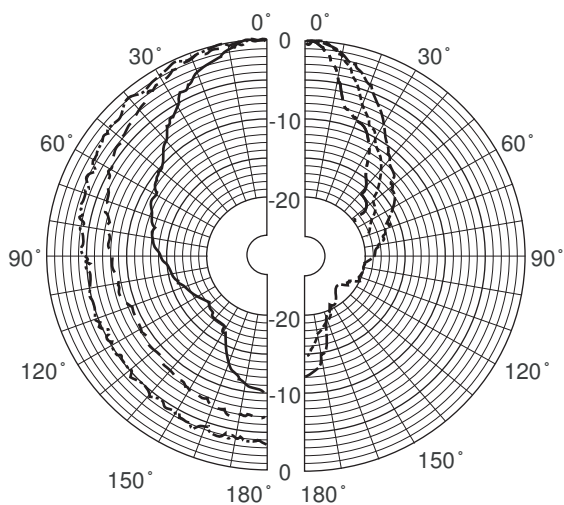


**Frequency response LBC 3484/00**



- 250 Hz
- 500 Hz
- 1000 Hz
- 2000 Hz
- 4000 Hz
- 8000 Hz

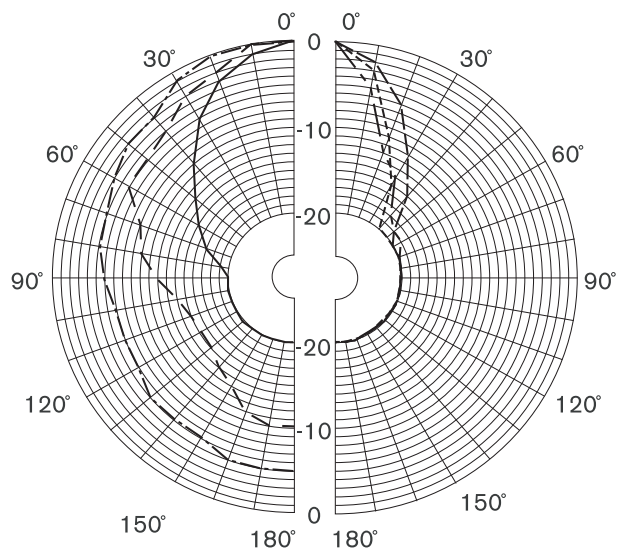
**Polar diagram (measured with pink noise) LBC 3482/00**



- 250 Hz
- 500 Hz
- 1000 Hz
- 2000 Hz
- 4000 Hz
- 8000 Hz


**Polar diagram (measured with pink noise) LBC 3483/00**






- · - · - · 250 Hz      - - - - - 2000 Hz  
 - - - - - 500 Hz      - · - · - · 4000 Hz  
 - - - - - 1000 Hz      - - - - - 8000 Hz

**Polar diagram (measured with pink noise) LBC 3484/00**

 1438
Bosch Security Systems BV Torenallee 49, 5617 BA Eindhoven, the Netherlands 10 1438-CPD-0192
EN 54-24:2008  Loudspeaker for voice alarm systems for fire detection and fire alarm systems for buildings  Horn Loudspeaker 25 W LBC3482/00 Type B

**CE-label LBC3482/00**

 1438
Bosch Security Systems BV Torenallee 49, 5617 BA Eindhoven, the Netherlands 10 1438-CPD-0191
EN 54-24:2008  Loudspeaker for voice alarm systems for fire detection and fire alarm systems for buildings  Horn Loudspeaker 35 W LBC3483/00 Type B

**CE-label LBC3483/00**

**Bosch Security Systems B.V.**

Torenallee 49

5617 BA Eindhoven

Netherlands

**[www.boschsecurity.com](http://www.boschsecurity.com)**

© Bosch Security Systems B.V., 2016