

L4.5PNF-RC

Type N Female RingFlare™ for 5/8 in LDF4.5-50 cable



Product Classification

Product Type	Wireless and radiating connector
Product Brand	HELIAX®

General Specifications

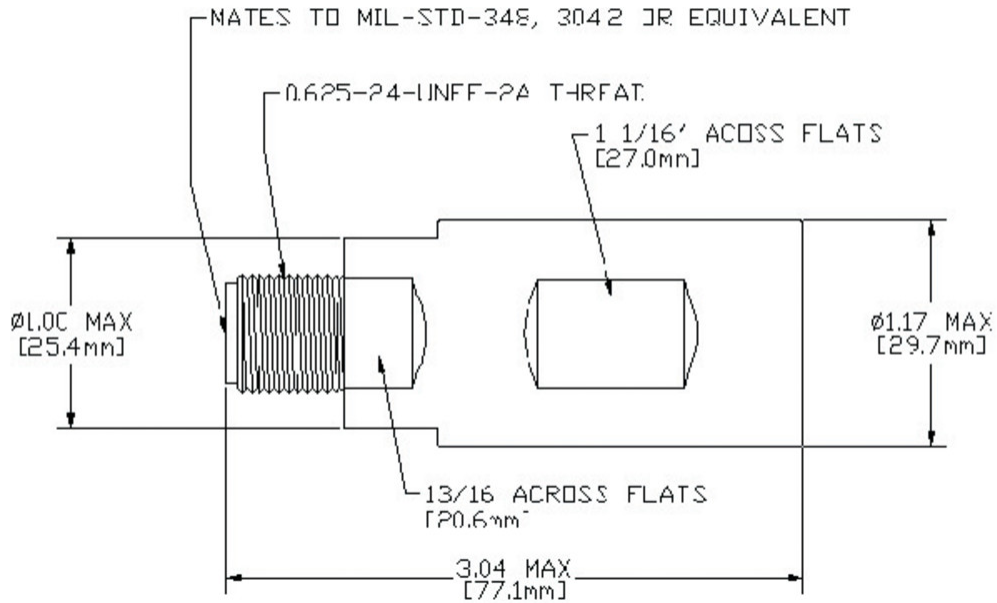
Body Style	Straight
Cable Family	LDF4.5-50
Inner Contact Attachment Method	Captivated
Inner Contact Plating	Gold
Interface	N Female
Mounting Angle	Straight
Outer Contact Attachment Method	Self-flare
Outer Contact Plating	Trimetal
Pressurizable	No

Dimensions

Length	76.2 mm 3 in
Diameter	33.02 mm 1.3 in
Nominal Size	5/8 in

Outline Drawing

L4.5PNF-RC



Electrical Specifications

Insertion Loss, typical	0.05 dB
Average Power at Frequency	0.6 kW @ 900 MHz
Cable Impedance	50 ohm
Connector Impedance	50 ohm
dc Test Voltage	2000 V
Inner Contact Resistance, maximum	2 mOhm
Insulation Resistance, minimum	5000 MOhm
Operating Frequency Band	0 – 6100 MHz
Outer Contact Resistance, maximum	0.3 mOhm
Peak Power, maximum	40 kW
RF Operating Voltage, maximum (vrms)	707 V
Shielding Effectiveness	-110 dB

Mechanical Specifications

Attachment Durability	25 cycles
Connector Retention Tensile Force	889.64 N 200 lbf
Connector Retention Torque	5.42 N-m 47.998 in lb

L4.5PNF-RC

Insertion Force	66.72 N 15 lbf
Insertion Force Method	MIL-C-39012C-3.12, 4.6.9
Interface Durability	500 cycles
Interface Durability Method	IEC 61169-16:9.5
Mechanical Shock Test Method	MIL-STD-202F, Method 213B, Test Condition C

Environmental Specifications

Operating Temperature	-55 °C to +85 °C (-67 °F to +185 °F)
Storage Temperature	-55 °C to +85 °C (-67 °F to +185 °F)
Attenuation, Ambient Temperature	20 °C 68 °F
Average Power, Ambient Temperature	40 °C 104 °F
Corrosion Test Method	MIL-STD-1344A, Method 1001.1, Test Condition A
Immersion Depth	1 m
Immersion Test Mating	Mated
Immersion Test Method	IEC 60529:2001, IP68
Moisture Resistance Test Method	MIL-STD-202F, Method 106F
Thermal Shock Test Method	MIL-STD-202F, Method 107G, Test Condition A-1, Low Temperature -55 °C
Vibration Test Method	IEC 60068-2-6
Water Jetting Test Mating	Mated
Water Jetting Test Method	IEC 60529:2001, IP66

Packaging and Weights

Weight, net	227 g 0.5 lb
--------------------	----------------

Regulatory Compliance/Certifications

Agency	Classification
ISO 9001:2015	Designed, manufactured and/or distributed under this quality management system



* Footnotes

Insertion Loss, typical	0.05v̄freq (GHz) (not applicable for elliptical waveguide)
Immersion Depth	Immersion at specified depth for 24 hours