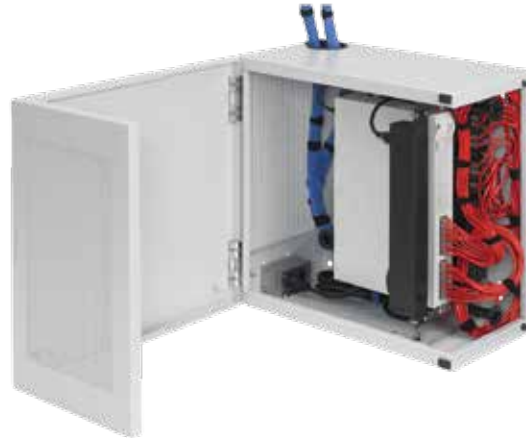


**L-BOX, TYPE 1**

**INDUSTRY STANDARDS**

UL 2416 Listed; File No. E230874  
 cUL Listed per CSA C22.2 No. 182.4; File No. E230874  
 Ventilation complies with UL 60950

Designed in accordance with BICSI TDMM Tenth edition, Chapter 7, Telecommunication Enclosures (TE)  
 EIA 310-D  
 IEC 60529, IP30  
 NEMA Type 1

**APPLICATION**

The low-profile, vertically-oriented L-BOX wall-mount cabinet is extremely versatile and can be used in public settings to mount, store and protect network equipment, patch panels and connections. The hinged, L-shaped door provides full access on two sides to installed equipment while fixed rack angles accommodate varying equipment sizes.

**FEATURES**

- Spring-loaded, self-retained hinge pins allow door removal
- 120-degree door opening
- Quarter-turn latches with key lock (Code 333)
- One set of fixed rack angles is included on 24- and 36-in. (610- and 914-mm) tall models and two on 48-in. (1219-mm) tall models
- Rack angles on 36-in. (914-mm) models can be positioned either at the top or the bottom of the cabinet

- 36- and 48-in. (914- and 1219-mm) tall models have space for patch panel or shelf brackets
- Knockouts for 4-in. (102-mm) fan on top and bottom of cabinet
- Wiring knockouts (7/8 in., 1-3/8 in., and 3 in.) on top and bottom of cabinet. Two 3-in. cable entry knockouts on back.
- Multiple cable tie-down points on back of cabinet
- Keyhole mounting slots spaced 16.00 in. (406 mm) on center for easy cabinet mounting
- Includes package of twenty 10-32 mounting screws

**SPECIFICATIONS**

- Manufactured from 14 gauge mild steel
- Self-grounding mounting angles made of 12 gauge plated steel
- Bonding provision on door
- Ground stud on body
- EIA Universal 5/8 - 5/8 - 1/2 in. rack angle mounting hole pattern matches industry standards. Holes are tapped 10-32.

**FINISH**

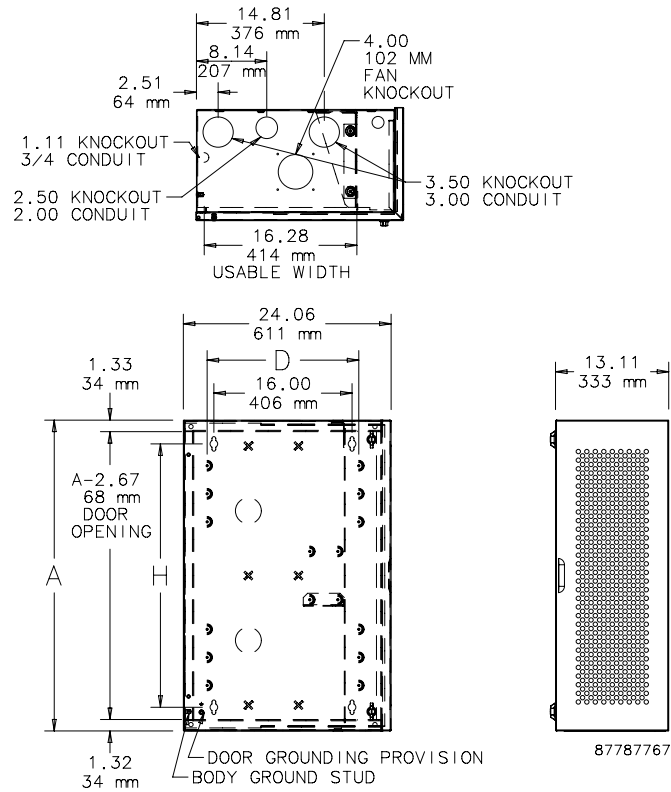
Pretreated steel coated with RAL 7035 light-gray textured, low-gloss polyester powder paint. Other finishes available—contact Hoffman Customer Service.

**LOAD RATING**

75 lb. (34.0 kg)

**BULLETIN: DWS1**
**Standard Product**

Catalog Number	AxBxC in.	AxBxC mm	H (in.)	H (mm)	Rack Units
DBL242412G	24.00 x 24.00 x 12.34	610 x 610 x 313	22.00	559	6
DBL362412G	36.00 x 24.00 x 12.34	915 x 610 x 313	34.00	864	6
DBL482412G	48.00 x 24.00 x 12.34	1220 x 610 x 313	46.00	1168	2 sets of 6

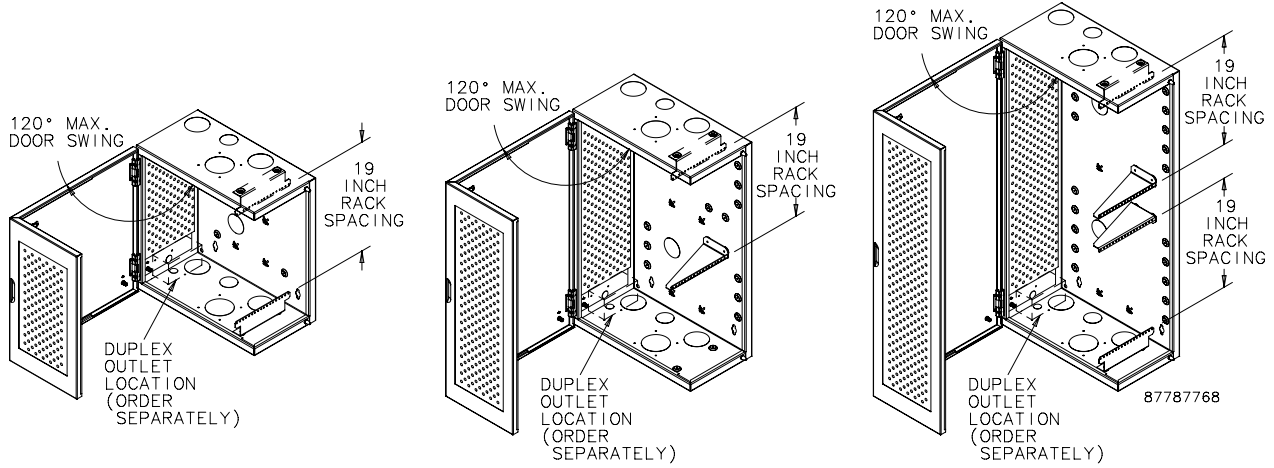


L-BOX RACK ANGLE LOCATIONS

DBL242412G

DBL362412G

DBL482412G



### BONDING AND GROUNDING KIT



Provides the cable and mounting hardware required to ground equipment to the door and the body of the cabinet.

**BULLETIN: DWS1**

Catalog Number	Description
DBGSDK	Bonding and Grounding Kit

### DUPLEX OUTLET KIT



15 A duplex outlet is factory-mounted in three-sided, plated steel enclosure. Outlet enclosure mounts on hinge side of door in lower corner of cabinet. Mounting hardware provided.

**BULLETIN: DWS1**

Catalog Number	Description	Current Rating
DBDXK	Duplex Outlet Kit	15 A

### FAN FILTER AND FINGER GUARD KIT



Low-density filter kit for 4-in. (102-mm) and 6-in. (152-mm) fans. Can also be used as vent. Filter is removable and can be cleaned and reused. Mounting hardware included.

**BULLETIN: DTHRM, DWS1**

Catalog Number	Description	Fits
AFLTR4LD	Fan Filter and Finger Guard Kit	4-in. fans
AFLTR6LD	Fan Filter and Finger Guard Kit	6-in. fans

### PATCH PANEL RACK ANGLES



Swiveling rack angles drop 45 degrees to provide convenient access to equipment mounted on patch panels. Provide additional patch panel location in 36- and 48-in. (914- and 1219-mm) high cabinets. Made of self-grounding, plated 12 gauge steel. Mounting hardware included. Set of two.

**BULLETIN: DWS1**

Catalog Number	Description	Rack Units
DBPRA4U	Patch Panel Rack Angles	4

### 4-INCH COMPACT AXIAL FANS



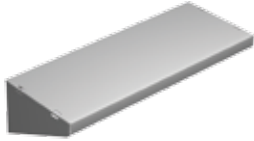
Compact Cooling Fans are ideal for applications where enclosure space is limited and quiet, reliable cooling is required. Engineered for 50,000 hours of continuous operation without lubrication or service.

**BULLETIN: D85**

Standard Product

Catalog Number	Description
A4AXFNPG	4-in. fan, 115VAC, 46/49CFM
A4AXFNGQ	4-in. fan, Quiet, 115VAC, 85/100CFM

### SHELVES



Shelves provide additional storage in 36- and 48-in. (914- and 1219-mm) tall cabinets. Made of self-grounding plated 16 gauge steel. 75 lb. (34.0 kg) load rating. RAL 7035 polyester powder coat finish.

**BULLETIN: DWS1**

Catalog Number	Description	Length in./mm	Depth in./mm	Fits Cabinet Depth
DBSHELF8	Steel Shelf	19.05 484	7.25 184	8 in.
DBSHELF12	Steel Shelf	19.05 484	11.08 281	8 or 12 in.

### STRUT WALL-MOUNTING KIT



Provides secure mounting for cabinet. RAL 7035 polyester powder coat finish.

**BULLETIN: DWS1**

Catalog Number	Description	Length in./mm
DB24WMTK	Strut Wall-Mounting Kit	24.00 610