

Warranty

▶ **To receive after service, have the following ready before you contact our branches.**

1. Name of the product.
2. Model number of the product.
3. The area of problem.
4. Phone number and address at which you can be contacted.

Warranty Card

PRODUCT	
MODEL	
DATE PURCHASED	
WARRANTY PERIOD	
AGENCY ADDRESS	

▶ **KOCOM Warranties the original purchaser of this product as follows.**

- 1) This product is produced under strict quality control and inspection procedures.
- 2) If this product breaks down during proper use as a result of product defect, KOCOM will repair it within one year from date of purchase free of charge.
- 3) The following cases will be subject to charge, even during warranty period:
 - a. Breakdown during transport, or through careless treatment, by consumer.
 - b. Breakdown cause by unauthorized repair, or system modification.
 - c. Breakdown caused by natural disaster or power disorder.



<http://www.kocom.com>

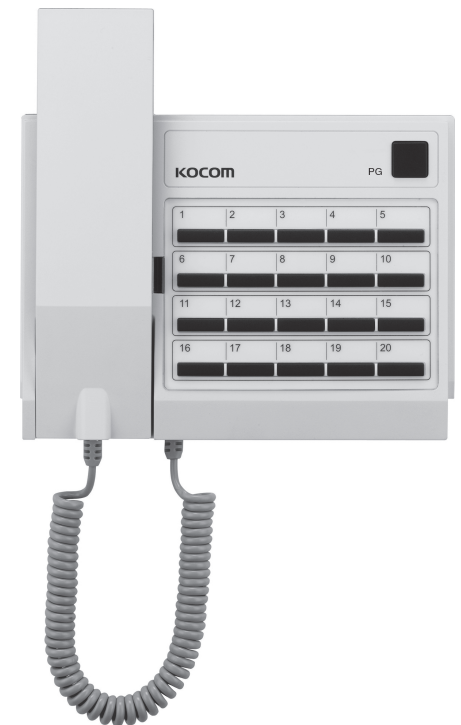
E-mail : export@kocom.co.kr

This manual is based on the date as shown in the right and specifications are subject to change without notice for quality improvement

KIP-620ML MANUAL

INTERPHONE

- Magnetic Interlocking Slave Interphone
- Magnetic Paging and Calling
- Individual Voice Paging (Broadcasting)
- Button Lamp Display for Paging and Calling

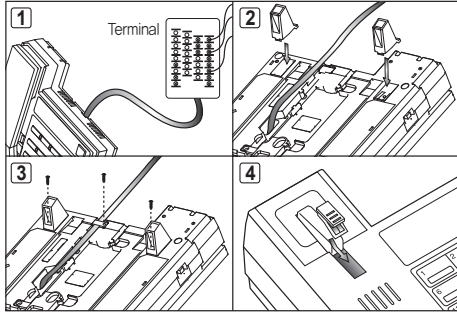


Thank you very much for your purchasing of our product. Please read carefully before operating and then keep it. Thank you.



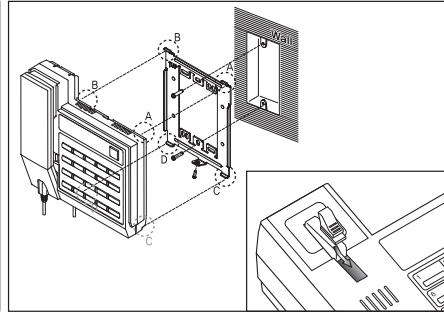
How to Install

■ Table Type



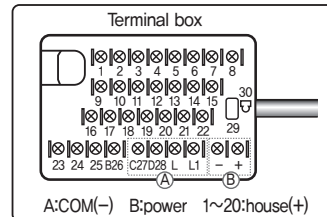
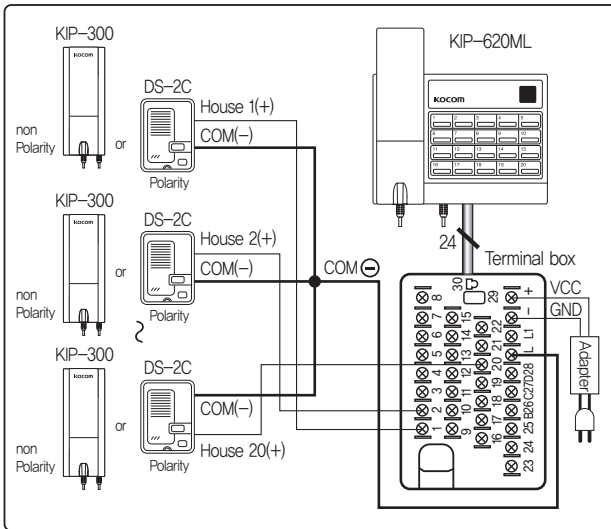
- 1 Connect a connecting wire of the household and a power line to a terminal.
- 2 Insert a table stand into the groove on the bottom of an interphone.
- 3 Fix a table stand by a screw. Fix the connecting wires of the terminal up (as seen in a figure) or down by a screw.
- 4 Insert a handset stopper so that the rack of a handset hangs up downward.

■ Wall-mounted Type



- 1) Install a wall latch on 1-hole box or a wall by a screw.
- 2) Connect the wires in accordance with the wiring diagram of interphones.
- 3) Hang up an interphone and then fix it onto a wall latch by a screw.
- 4) Insert a handset stopper so that the rack of a handset hangs up upward.

Wiring Diagram

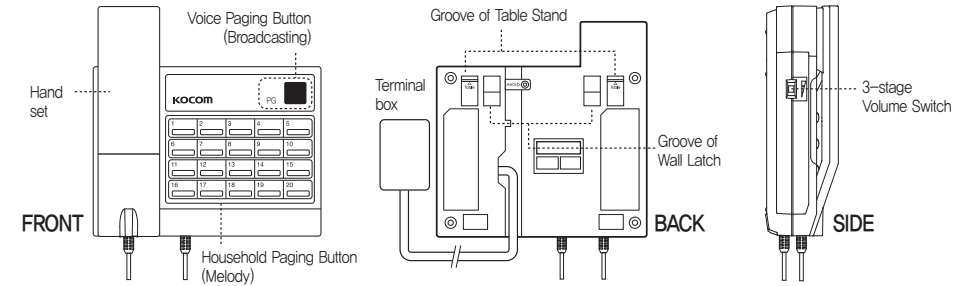


- To connect a wiring code to a terminal, loose a screw, connect the end of a cord to the bottom of the screw and then fix it.
 - To fix a wiring code, fix it with a stapler not to damage the cord.
 - To use the existing wire, be careful of disconnection and short circuit.
- ※ Household sub DS-2C
: Polarity (Household Wire : +, COM : -)
KIP-300 Series : non-polarity.

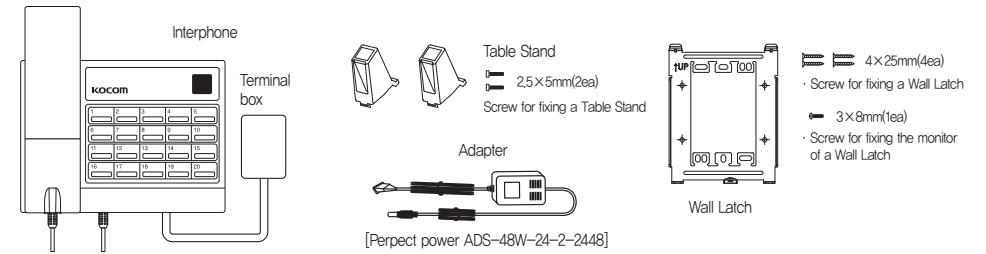
Product Functions

Model No.	KIP-620ML
Input Power	DC 24V
Power Consumption	FULL LOAD : 10W, ON STAND BY : 1.0W
Call Mode	Handset Call Mode
Wiring Specification	Terminal Mode
Size	(W)175mmX(H)175mmX(D)55mm

Name of Devices

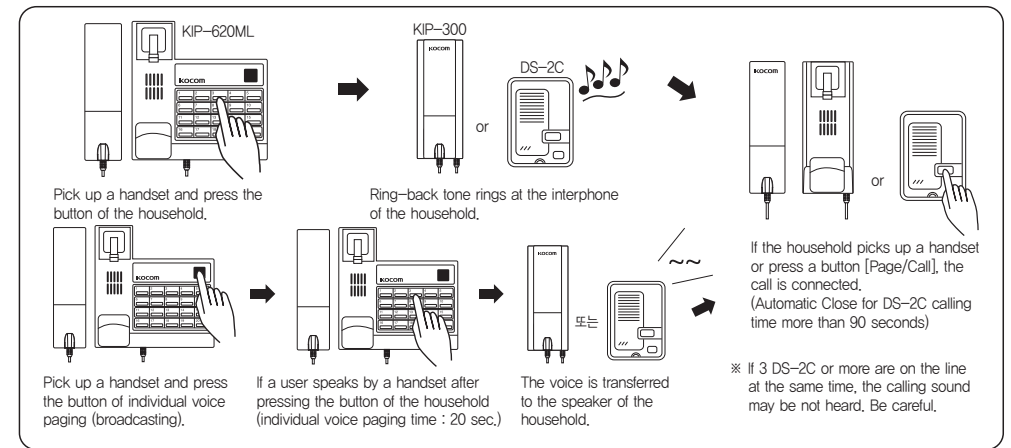


Product Composition



How to Use

■ Household Paging/ Individual Voice Paging and Calling



■ Paging from a Household

