



Parabolic antenna JRC-35DD MIMO Precision MimX

Dual-polarized parabolic antenna **JRC-35 Deep Dish MIMO Precision MimX** is designed for links with dual-polarized **C5x and B5x radio units** at the frequency band 5 GHz. The antenna is designed for environments with multiple reflections for long and medium distances in difficult conditions. **Its design with deep dish increases isolation among antennas on a mast and increases front to back ratio. The new concept expands the frequency band.** JRC-35DD MIMO Precision MimX includes a **massive holder** developed for microwave links.

Electrical parameters:

Frequency range	4.9 – 6.4 GHz
Gain	35.0 ± 1 dBi
VSWR <small>5.1 – 5.9 GHz</small>	≤ 1.3
Beamwidth <small>-3 dB</small>	3.1°
Front to Back ratio	≥ 53 dB
Polarization	Determined by radio unit

Mechanical parameters:

Parabola	Ø 1200 mm, Aluminium alloy
Radome	UV steady plastic ABS
Connection	Twist-on waveguide for C5x and B5x
Installation for mast	Ø 80 - 120 mm Ø 60 - 80 mm <small>with adjustable wind bracing set</small>
Operating wind load	110 km/h (68 mph) <small>without wind bracing set</small> 140 km/h (87 mph) <small>with wind bracing set</small>
Survival wind load	210 km/h (131 mph)
Weight of antenna	29 kg (64 lbs.)
Shipping dimensions – 1pc	1310 x 740 x 1440 mm/66.5 kg (147 lbs.)
Shipping dimensions – 2pcs	1310 x 1100 x 1440 mm/102 kg (225 lbs.)

Parabolic antenna JRC-35DD MIMO Precision MimX

The antenna is supplied together with a massive holder that allows easy mounting on a mast. Holder can be installed separately on the mast. Subsequently, the antenna with microwave unit can be simply hung up into it.

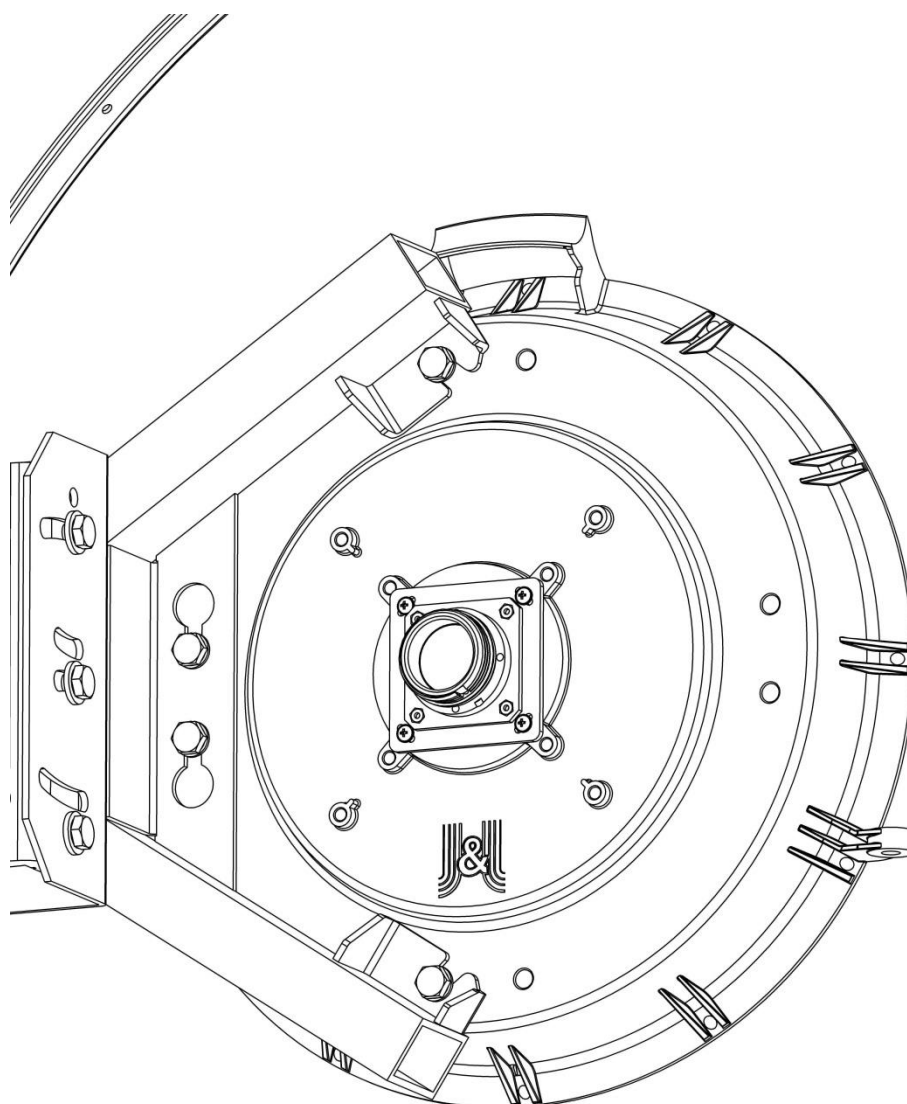
Antenna holder allows fine setting elevation $\pm 15^\circ$ and azimuth $\pm 7^\circ$. Ready for right and left side mounting.

In the areas with the expected occurrence of the strong winds the usage of the (adjustable) wind bracing set is recommended. For mounting on the **mast $\varnothing 60 - 80$ mm** the usage of the **(adjustable) wind bracing set** is strongly recommended.

The usage of adjustable wind bracing set allows to set azimuth more comfortably.

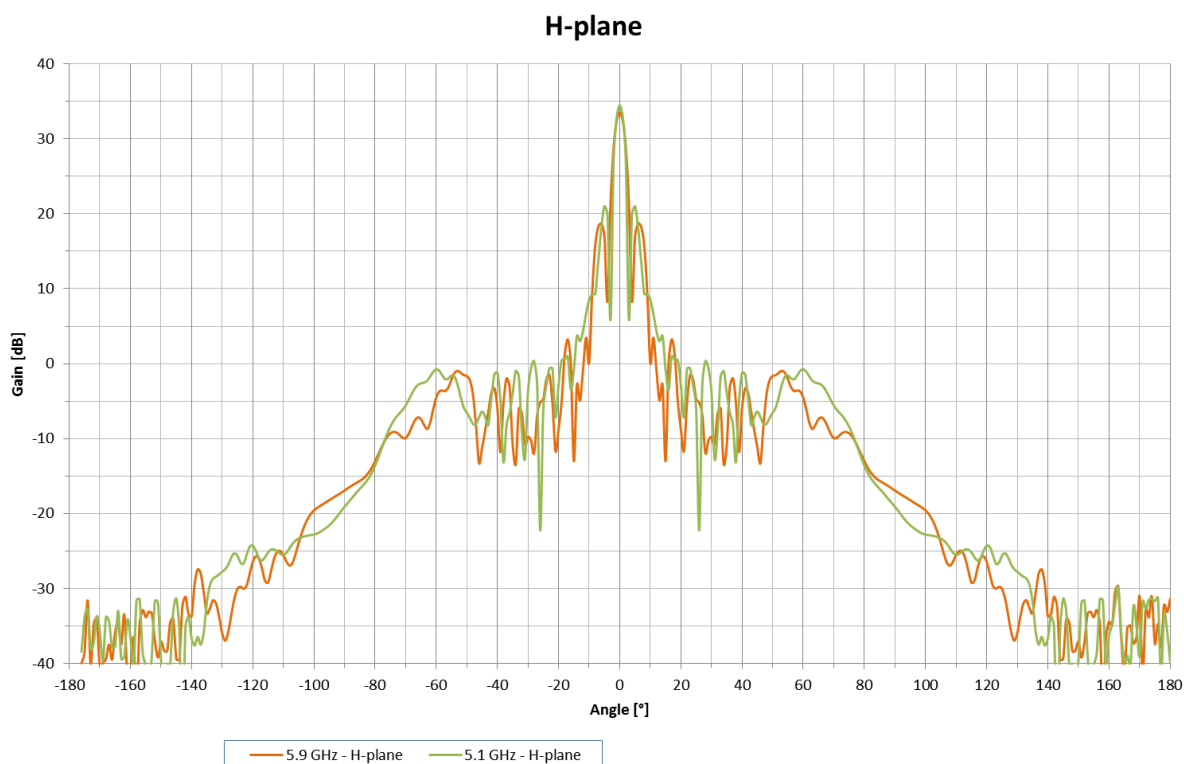
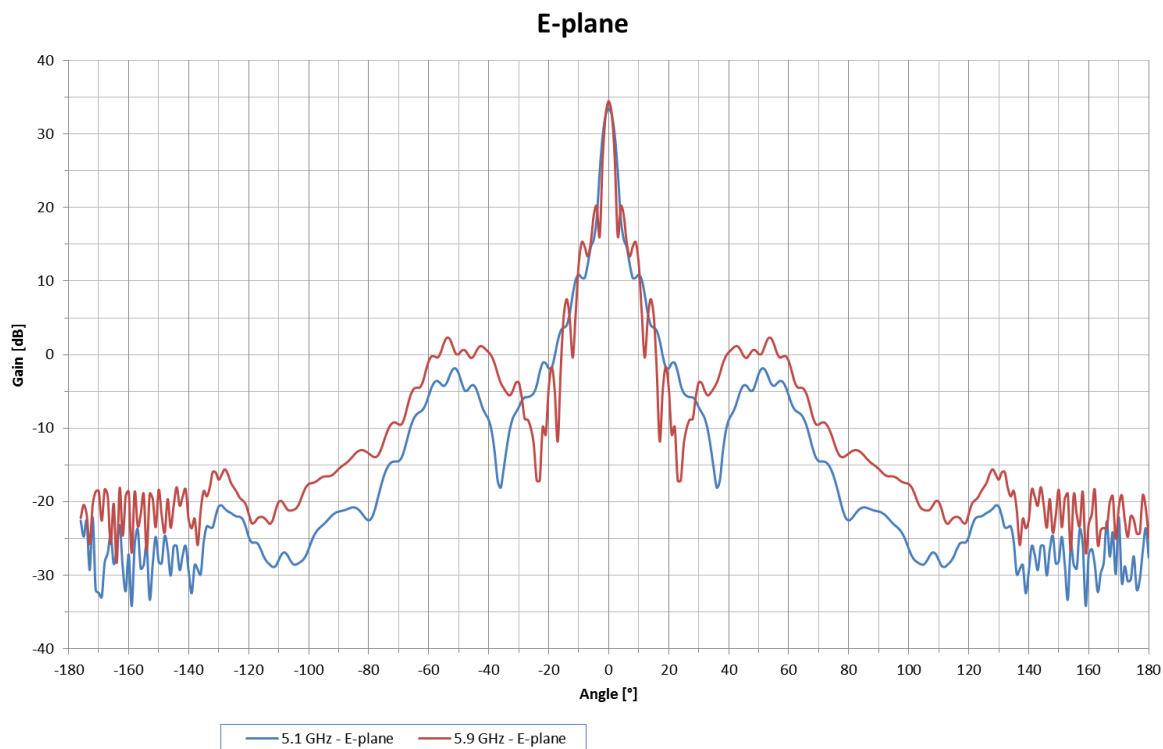
The **wind bracing set** or the **adjustable wind bracing set** are optional accessories.

Detail of waveguide:



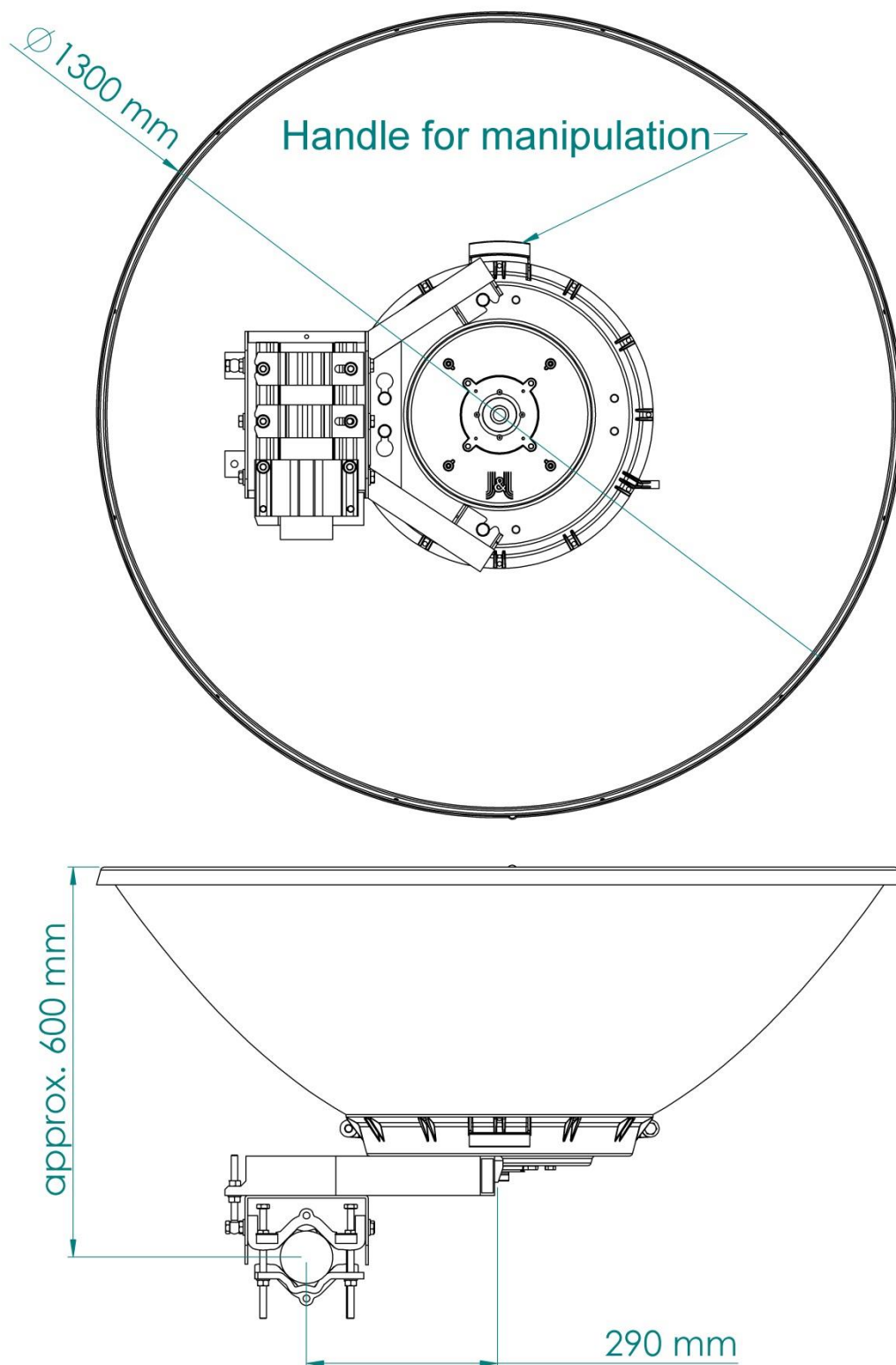
Parabolic antenna JRC-35DD MIMO Precision MimX

Measurement of radiation pattern:

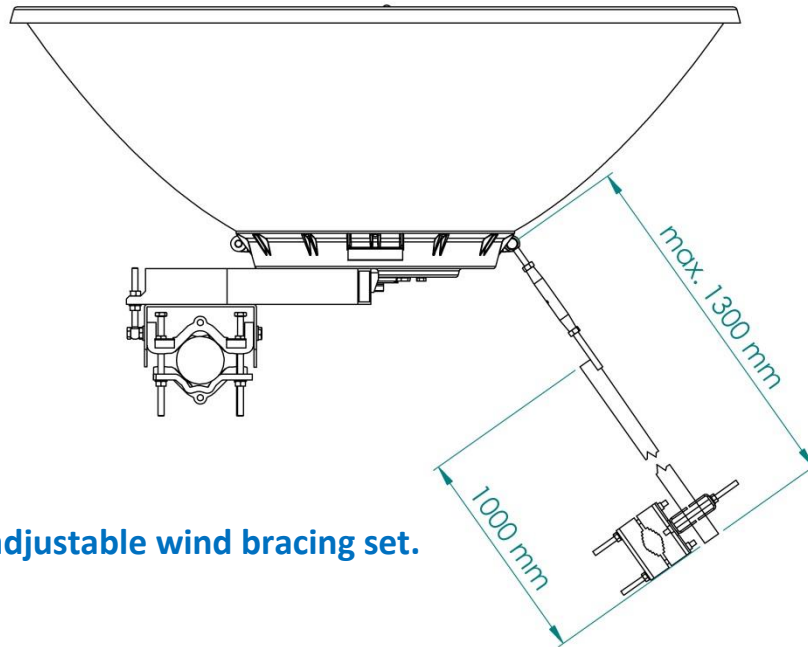


Parabolic antenna JRC-35DD MIMO Precision MimX

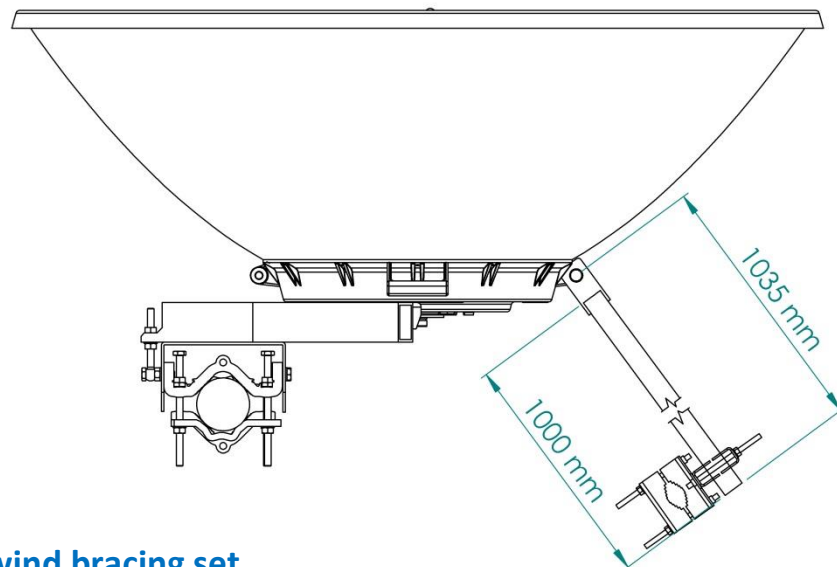
Outline:



Parabolic antenna JRC-35DD MIMO Precision MimX



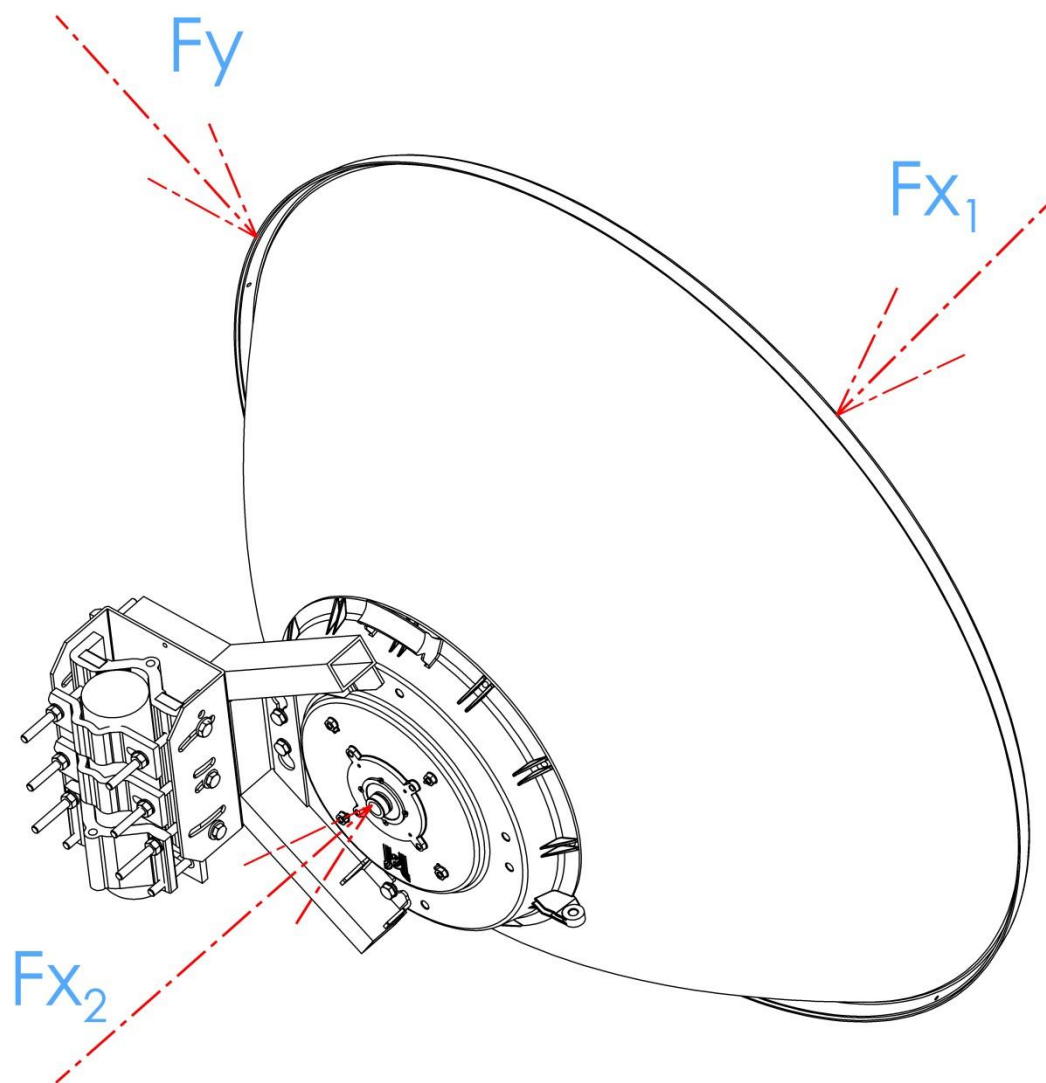
Antenna with adjustable wind bracing set.



Antenna with wind bracing set.

Parabolic antenna JRC-35DD MIMO Precision MimX

Wind loading:



Wind Loading at 200 km/h [125 mph]

Direction	Force [N]	Force [lbf]
F_{X_1}	2696	606
F_{X_2}	2186	491.4
F_y	247	55.5