



## Parabolic antenna JRC-32DD MIMO Precision MimX

Dual-polarized parabolic antenna **JRC-32 Deep Dish MIMO Precision MimX** is designed for links with dual-polarized **C5x and B5x radio units** at the frequency band 5 GHz. The antenna is designed for environments with multiple reflections for long and medium distances in difficult conditions. **Its design with deep dish increases isolation among antennas on a mast and increases front to back ratio. The new concept expands the frequency band.** JRC-32DD MIMO Precision MimX version includes a **massive holder JDMW-900** developed for microwave links.

### Electrical parameters:

<b>Frequency range</b>	4.9 – 6.4 GHz
<b>Gain</b>	32.1 ± 1 dBi
<b>VSWR</b> 5.1 – 5.9 GHz	≤ 1.3
<b>Beamwidth</b> -3 dB	4.3°
<b>Front to Back ratio</b>	≥ 52 dB
<b>Polarization</b>	Determined by radio unit

### Mechanical parameters:

<b>Parabola</b>	Ø 900 mm, Aluminium alloy
<b>Radome</b>	UV steady plastic ABS
<b>Type of connector</b>	<b>Twist-on waveguide</b> for C5x and B5x
<b>Installation for mast</b>	Ø 40 - 120 mm
<b>Operating wind load</b>	140 km/h (87 mph)
<b>Survival wind load</b>	210 km/h (130 mph)
<b>Weight of antenna</b>	8.2 kg (18.1 lbs.)
<b>of holder</b>	3.2 kg (7.0 lbs.)
<b>Shipping dimensions</b>	1000 x 990 x 430 mm / 18 kg (39.7 lbs.)

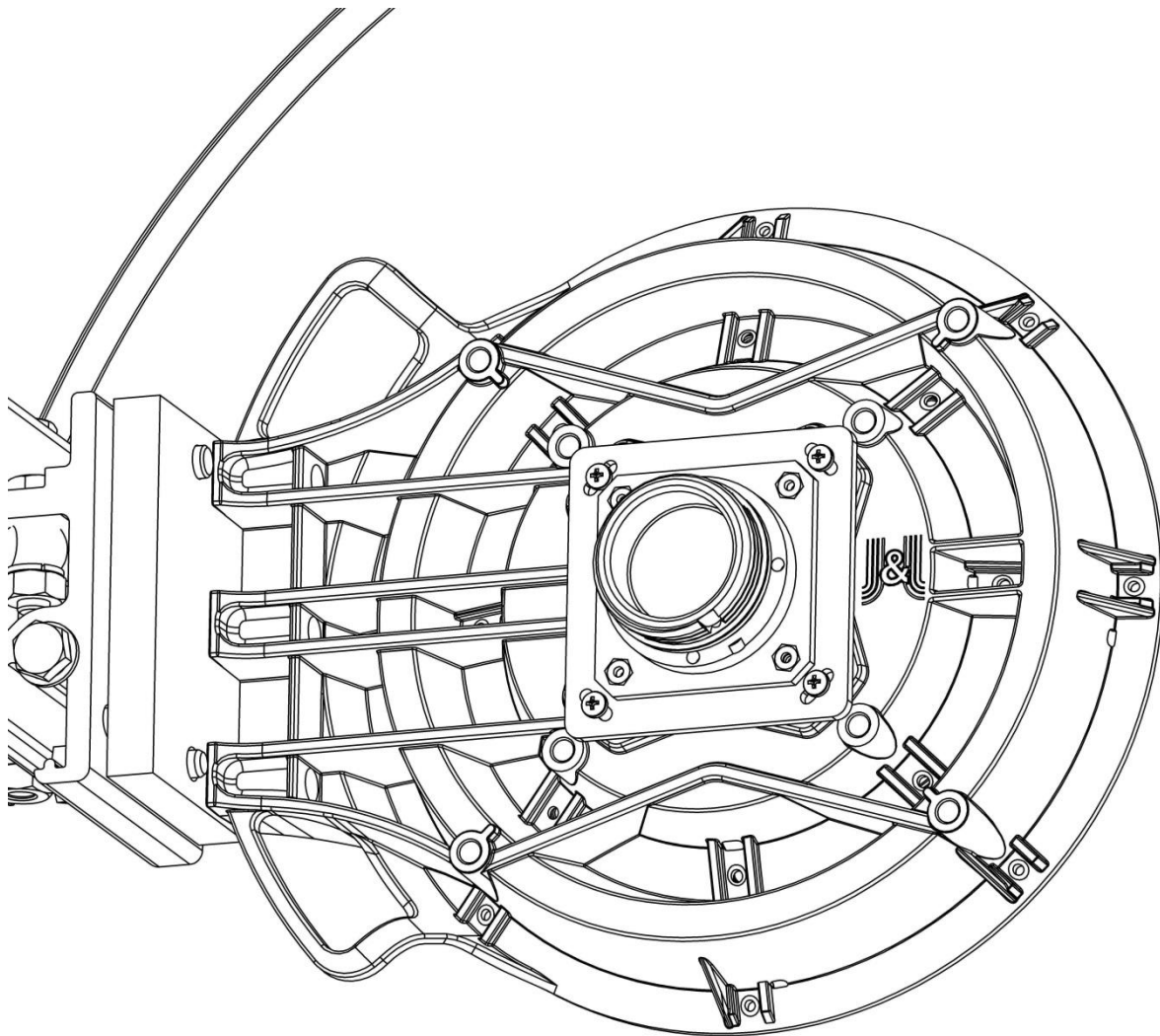
## Parabolic antenna JRC-32DD MIMO Precision MimX

### Usage:

The antenna is supplied with a holder (packed separately) that allows easy mounting on a mast. The holder can be installed separately on the mast. Subsequently, you can simply hang up the antenna with microwave unit into it. The holder allows precise adjustment in both directions. In the areas with the expected occurrence of the strong winds mounting on the mast with minimal  $\varnothing$  50 mm is recommended.

Right and left side mounting is possible.

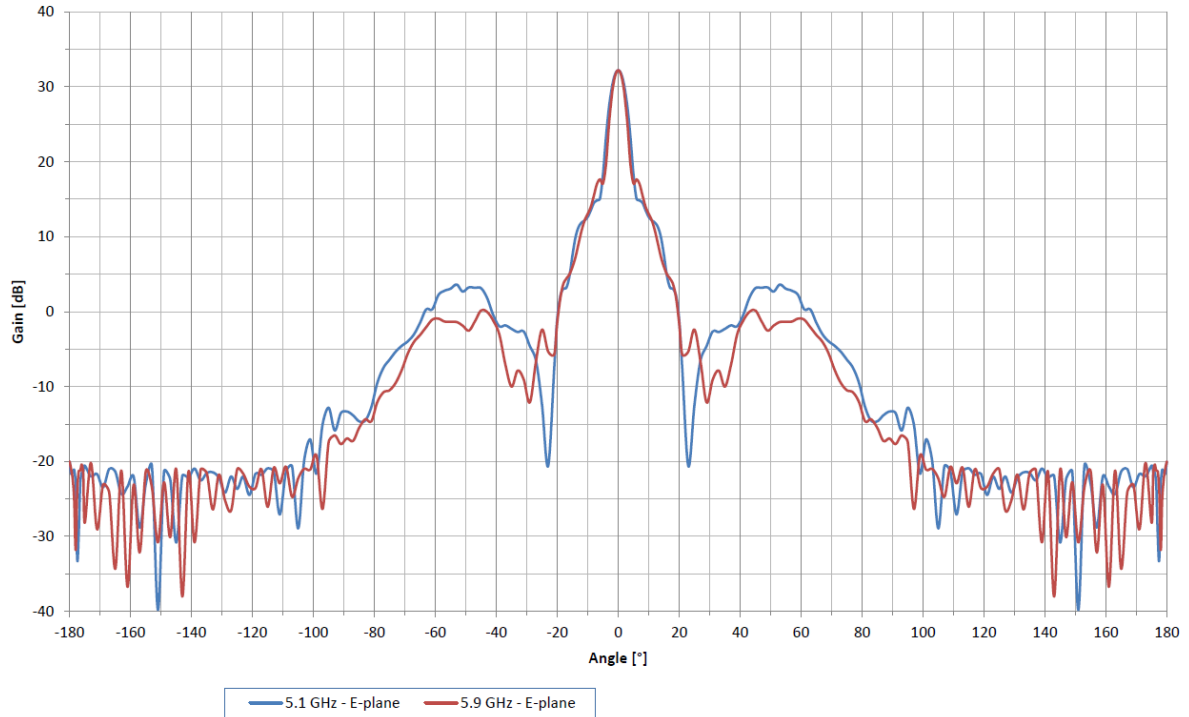
### Detail of waveguide:



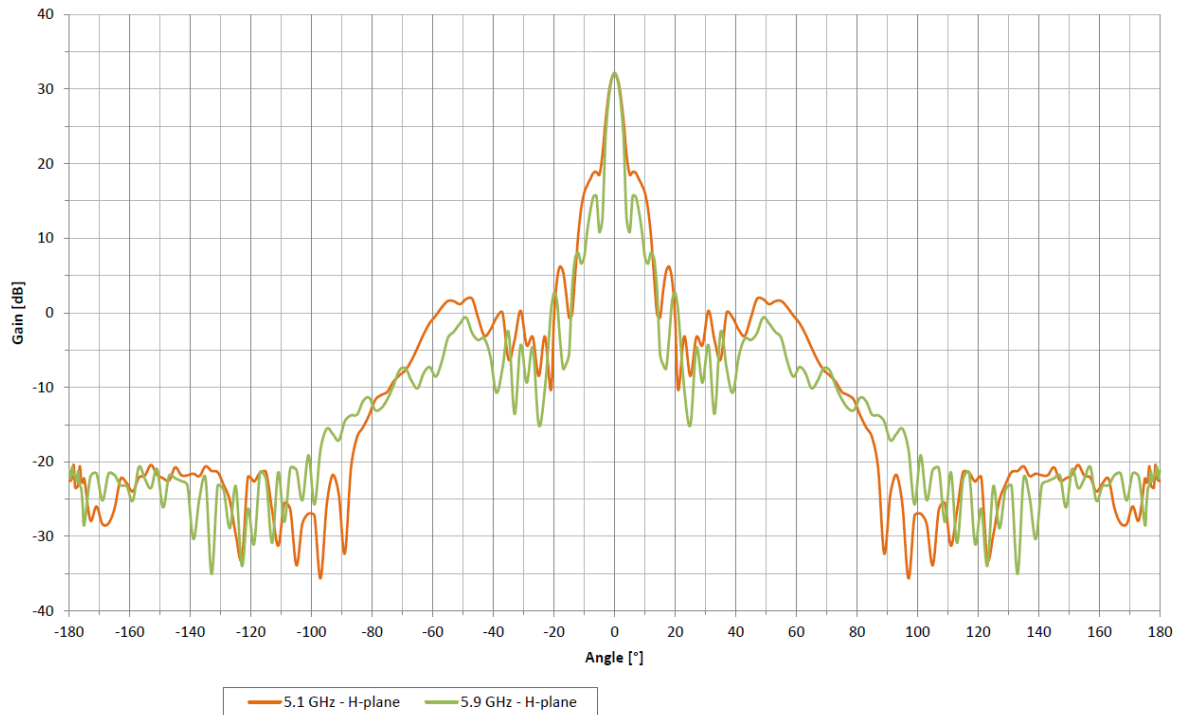
# Parabolic antenna JRC-32DD MIMO Precision MimX

## Measurement of radiation pattern:

### JRC-32DD MIMO - E-plane

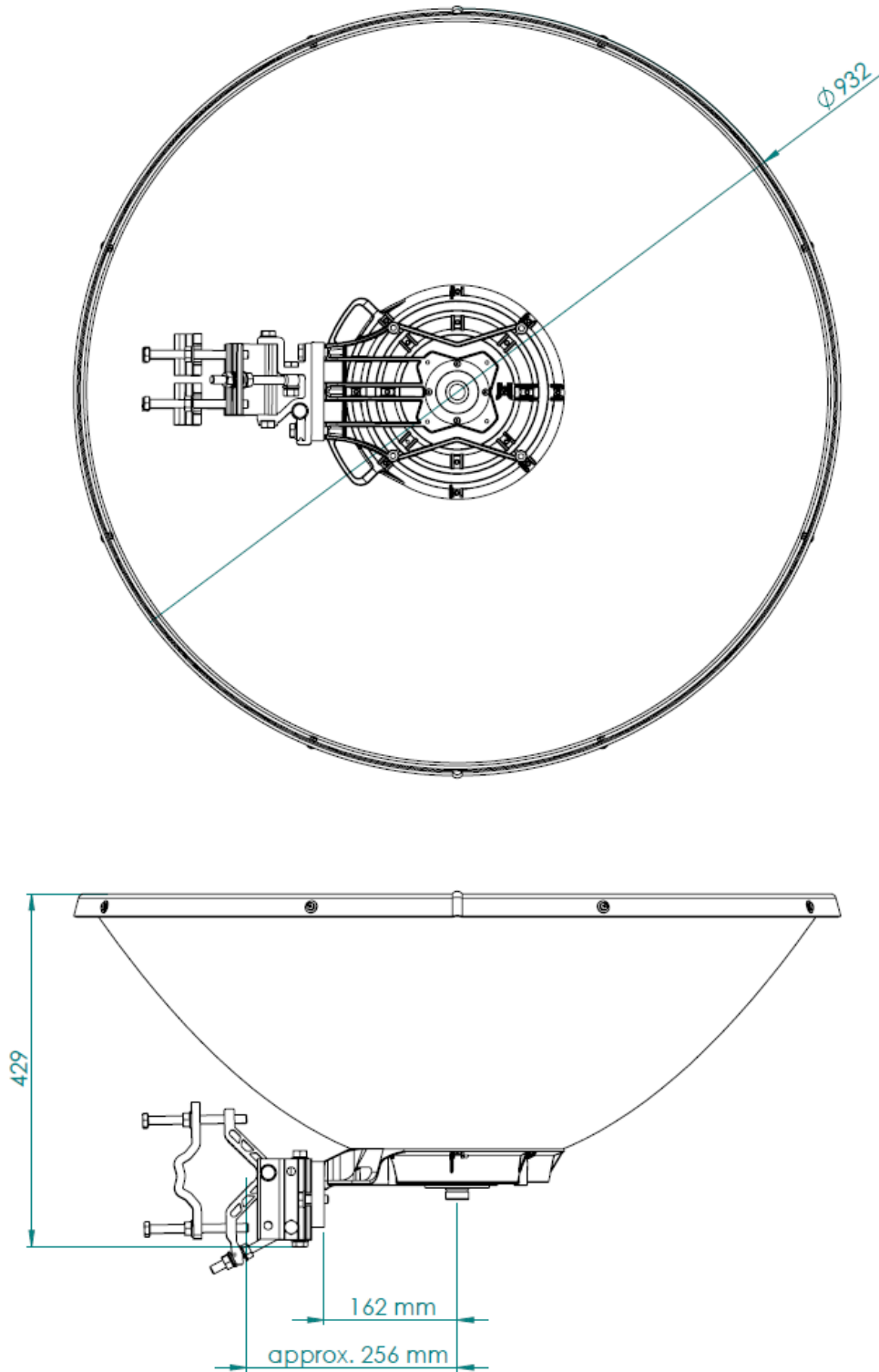


### JRC-32DD MIMO - H-plane



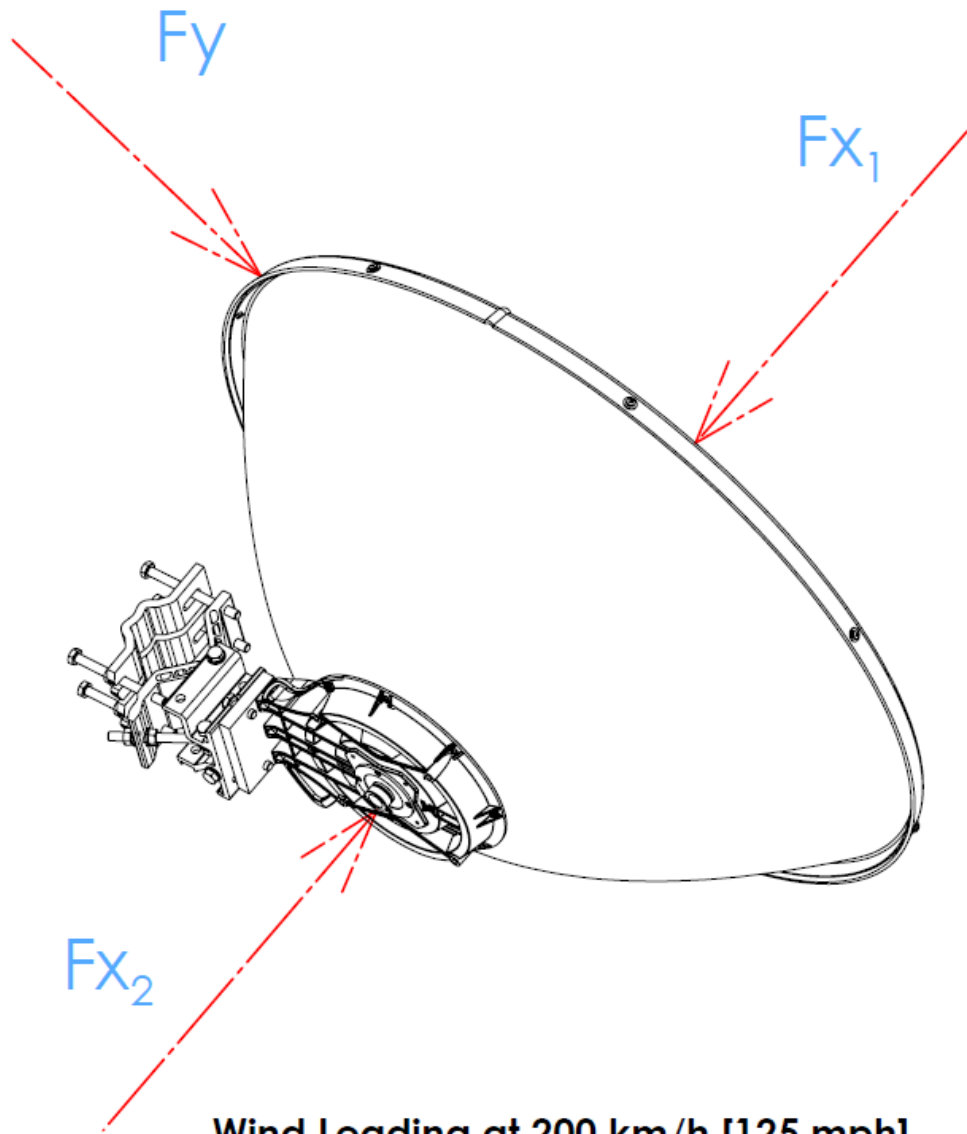
## Outline:

# Parabolic antenna JRC-32DD MIMO Precision MimX



## Wind loading:

## Parabolic antenna JRC-32DD MIMO Precision MimX



Direction	Force [N]	Force [lbf]
$F_{x_1}$	1443	324,4
$F_{x_2}$	1324	297,4
$F_y$	91	20,4