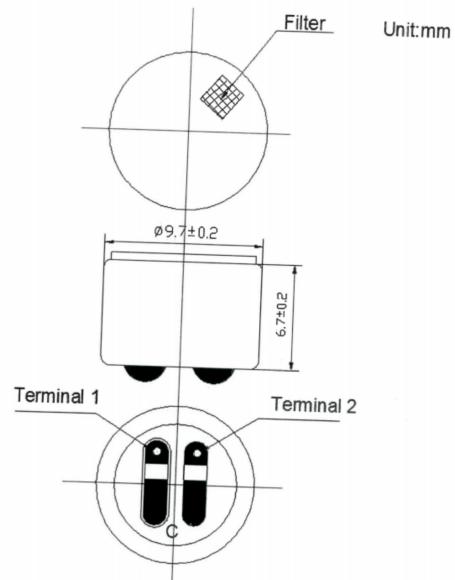


## JIMIIoT MICROPHONE

Part no.: SS-407-30

### Appearance & Dimensions



### Application:

Accessories of VL802 GPS TRACKER

### Specifications:

Sensitivity range: -32dB to -28dB

Impedance: 2.2 k $\Omega$

Current consumption: 500uA

Operation voltage : 1v~10v

S/N rate: 58dB

Max input sound level: 120dB

High temperature test: +80°C

Low temperature test:-30°C

Statical humidity test:

Temperature: +70°C

Relative humidity:90~95%

Duration:72hours