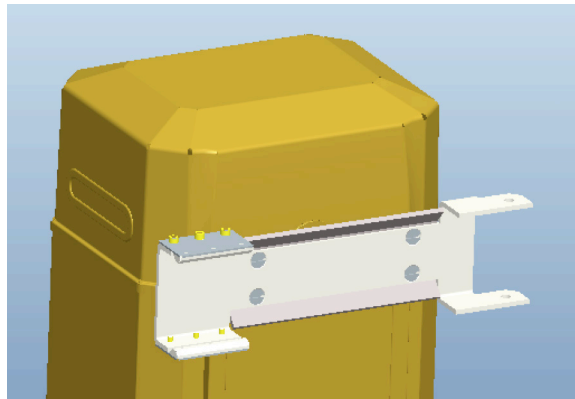


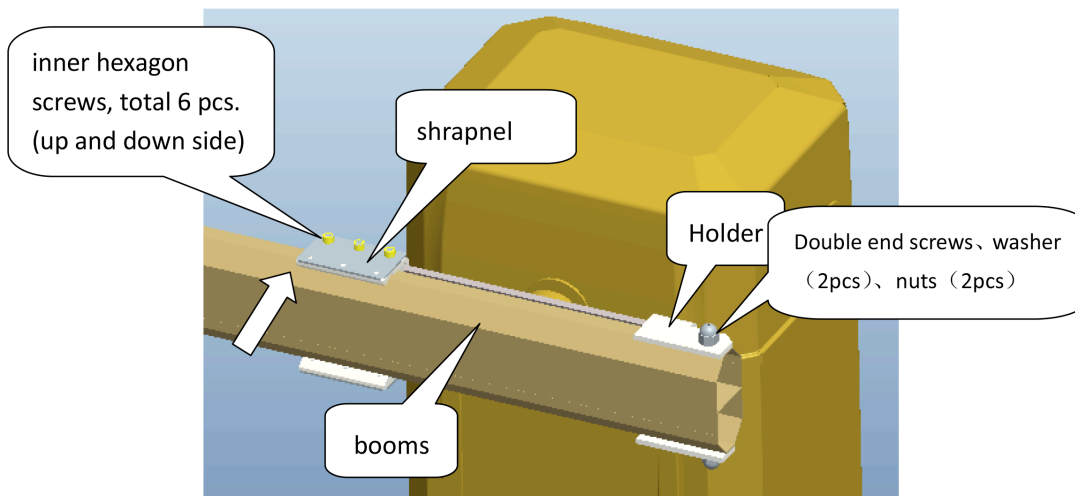
Flying Boom Holder's User Manual

Installation Guide

1. Using 4 PCS M10X20 bolts and 4 pcs M10 covers to fix the bellowed boom holder on the barrier, see pic. 1.



2. Before installing the boom, pls unscrew those 6 pcs inner hexagon screws. (see pic2)



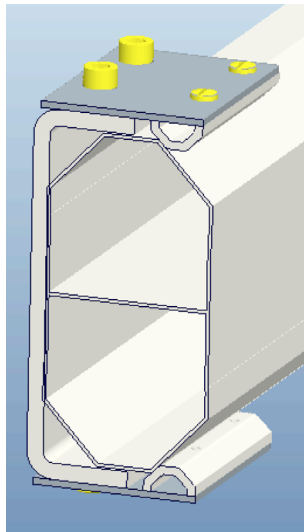
Pic. 2

3. As per aboved Pic 2, place the booms onto the holder. (make sure all holes to match with each other)
4. Install double-end screws, washers and nuts.
- 5.

INDUSTRIAL

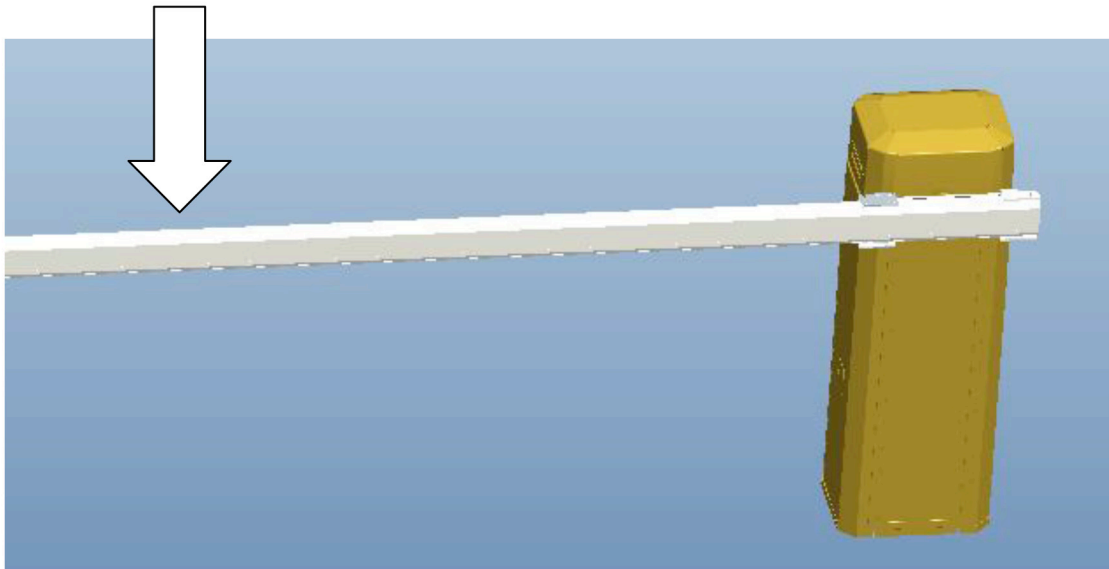
by AccessPRO

6. Fasten inner hexagon screws (up and down each 3 pcs). Check bellowed PIC 3 to install the boom and shrapnel to make sure the boom is attaching closely to back side of holder and boom will not shake when working.



Working illustration

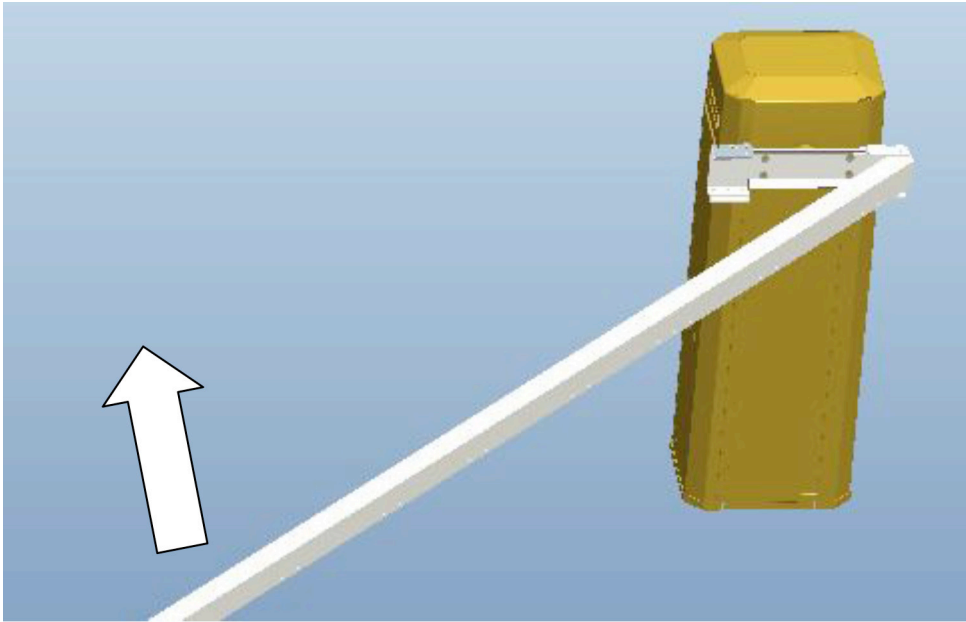
1. Bellowed Pic 4 is the normal working situation for the barriers.



INDUSTRIAL

by AccessPRO

2. When Cars or Vehicles will hit the booms towards the arrow showed direction, the boom will fly away the boom holder , but, still on boom holders. The booms will not be broken.



3. After Car pass by or leave, push the booms back to the former position and it will work normally again.

Attention

When booms have not been pushing back to the former correct position.
Please don't open or close the barriers!