



FEDERAL SIGNAL

Safety and Security Systems / Industrial

Advancing security and well-being.

Models CMXC-SB, PMXC-SB, and WMXC-SB



Installation Instructions for Optional Fixture Mounts



Warranty – Seller warrants all goods for five years on parts and 2-1/2 years on labor, under the following conditions and exceptions: Seller warrants that all goods of Seller's manufacture will conform to any descriptions thereof for specifications which are expressly made a part of this sales contract and at the time of sale by Seller such goods shall be commercially free from defects in material or workmanship. Seller reserves the right at the Seller's discretion to "Repair and Return" or "Replace" any item deemed defective during the warranty period. This warranty does not cover travel expenses, the cost of specialized equipment for gaining access to the product, or labor charges for removal and reinstallation of the product. This warranty shall be ineffective and shall not apply to goods that have been subjected to misuse, neglect, accident, damage, improper maintenance, or to goods altered or repaired by anyone other than Seller or its authorized representative, or if five years have elapsed from the date of shipment of the goods by Seller with the following exceptions: lamps and strobe tubes are not covered under this warranty.

Outdoor warning sirens and controllers manufactured by Federal Warning Systems are warranted for two years on parts and one year on labor. No agent, employee, representative or distributor of Seller has any authority to bind the Seller to any representation, affirmation, or warranty concerning the goods and any such representation, affirmation or warranty shall not be deemed to have become a part of the basics of the sales contract and shall be unenforceable. THE FOREGOING WARRANTIES ARE EXCLUSIVE AND IN LIEU OF ALL OTHER WARRANTIES OR MERCHANTABILITY, FITNESS FOR PURPOSE AND OF ANY OTHER TYPE, WHETHER EXPRESS OR IMPLIED. These warranties shall not apply unless Seller shall be given reasonable opportunity to investigate all claims for allegedly defective goods. Upon Seller's instruction a sample only of allegedly defective goods shall be returned to Seller for its inspection and approval. The basis of all claims for alleged defects in the goods not discoverable upon reasonable inspection thereof pursuant to paragraph 8 hereof must be fully explained in writing and received by Seller within thirty days after Buyer learns of the defect or such claim shall be deemed waived.



FEDERAL SIGNAL

Safety and Security Systems / Industrial

Industrial Systems

2645 Federal Signal Drive • University Park, IL 60484-3167

Tel: 708-534-4756 • 877-289-3246 • Fax: 708-534-4852

Email: elp@federalsignal.com • www.federalsignal-indust.com • www.fs-isys.com

Contents

Safety Messages to Installers	5
Overview of the Fixture Mounts	6
Installing the CMXC-SB Ceiling Mount.....	6
Installing the PMXC-SB Pendant Mount.....	7
Wiring the DC Beacon to the CMXC-SB and PMXC-SB	8
Wiring the AC Beacon to the CMXC-SB and PMXC-SB	9
Installing the WMXC-SB Wall Mount.....	10
Wiring the Non-supervised DC Beacon to the WMXC-SB	10
Wiring the Supervised DC Beacon to the WMXC-4-SB and WMXC-4R-SB.....	11
Connecting the AC Beacon to the WMXC-SB.....	12
Getting Repair Service or Technical Assistance	13
Returning the Product for Credit	13

Figures

Figure 1 Model CMXC-SB ceiling mount.....	6
Figure 2 Model PMXC-SB pendant mount	7
Figure 3 Model WMXC-SB wall mount	10

Safety Messages to Installers

⚠ WARNING

It is important to follow all instructions shipped with this product. This device is to be installed by a trained electrician who is thoroughly familiar with the National Electric Code/Canadian Electric Code and will follow the NEC/CEC Guidelines as well as local codes.

The selection of mounting location for the device, its controls and the routing of the wiring is to be accomplished under the direction of the facilities engineer and the safety engineer. In addition, listed below are some other important safety instructions and precautions you should follow:

- Read and understand all instructions before installing or operating this equipment.
- Never alter the unit in any manner. Safety in hazardous locations may be endangered if additional openings or other alterations are made in units specifically designed for use in these locations.
- After installation, ensure that all screws are properly tightened.
- After installation, test the light system to ensure that it is operating properly.
- After testing is complete, provide a copy of this instruction sheet to all operating personnel.
- Establish a procedure to routinely check the light installation for integrity and proper operation.

Failure to follow all safety precautions and instructions may result in property damage, serious injury, or death.

Overview of the Fixture Mounts

The optional fixture mounts are designed to replace the original pendant mount on the explosion-proof light housing.

Wiring must comply with Article 500 of the National Electrical Code and the local authority having jurisdiction.

For Marine applications, all wiring, including supply wire, must be stranded wire and meet USCG (CFR46) Sections (110-113.)

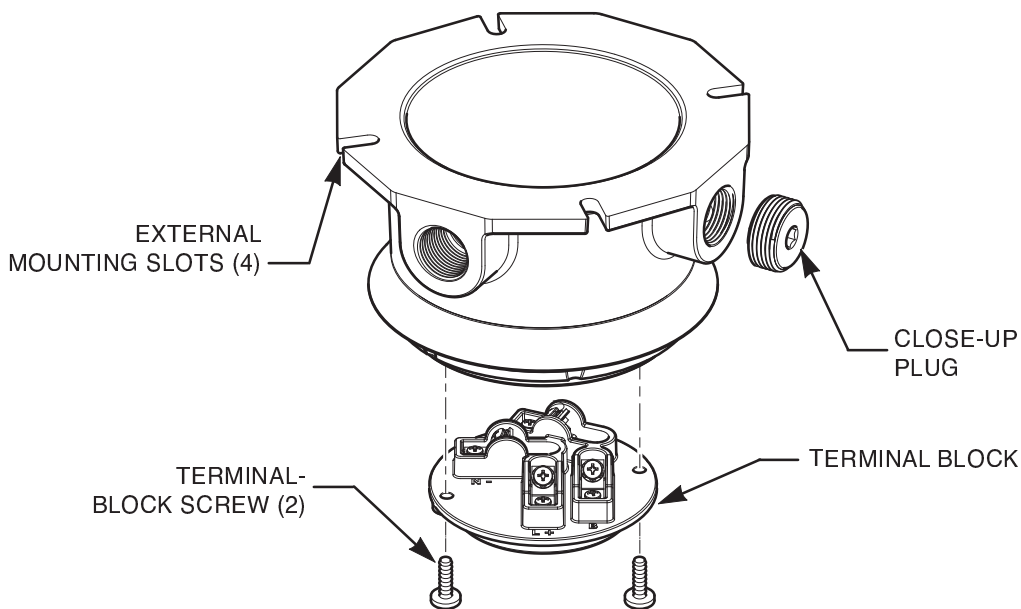
Installing the CMXC-SB Ceiling Mount

To install the ceiling mount on the support surface:

1. See Figure 1. Secure the ceiling mount to the support surface using the four external mounting slots.

Figure 1 Model CMXC-SB ceiling mount

THE CMXC-SB IS NOT SUITABLE FOR USE WITH THROUGH-BRANCH CIRCUIT CONDUCTORS.



290A7243

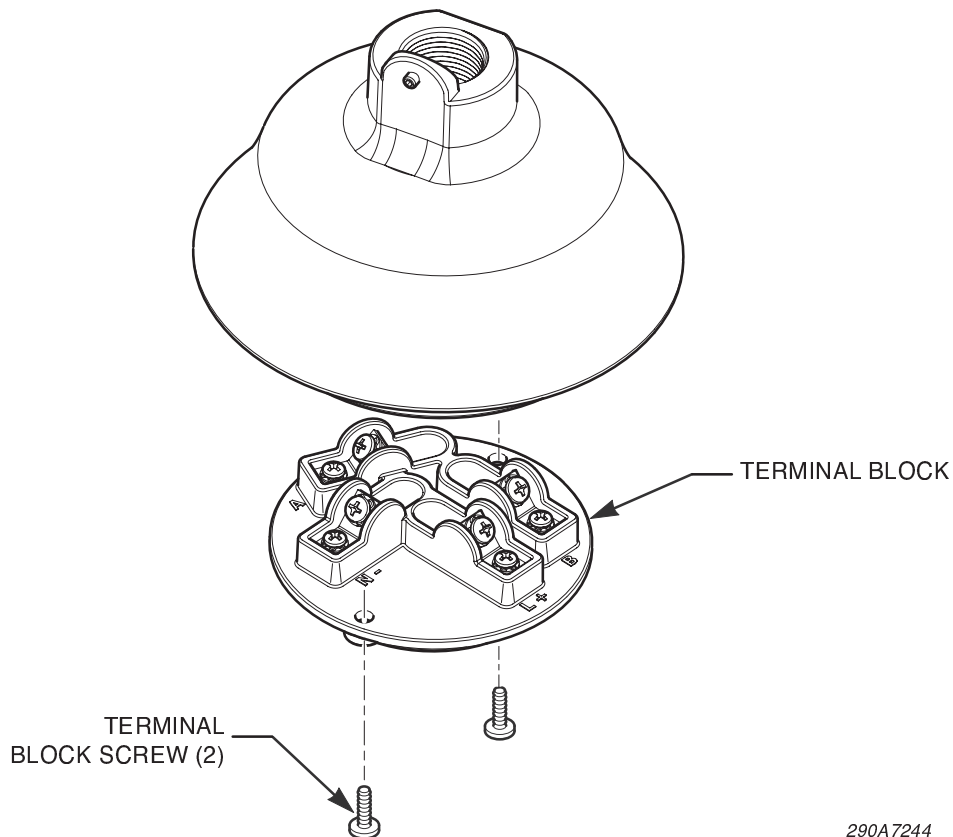
2. Remove the terminal block from the ceiling mount by removing the two screws securing it to the fixture.
3. For instructions on wiring the beacon, see page 8 for the DC beacon or page 9 for the AC beacon.

Installing the PMXC-SB Pendant Mount

To install the pendant mount on 3/4-inch pipe:

1. Ensure that the mating threads are clean.
2. Thread the pendant mount onto the 3/4-inch pipe and secure it with the setscrew.
3. Remove the terminal block from the ceiling mount by removing the two screws securing it to the fixture.
4. For instructions on wiring the beacon, see page 8 for the DC beacon or page 9 for the AC beacon.

Figure 2 Model PMXC-SB pendant mount



Wiring the DC Beacon to the CMXC-SB and PMXC-SB

The CMXC-SB is not suitable for use with through-branch circuit conductors.

⚠ WARNING

SHOCK HAZARD—To avoid electrical shock hazards, do not connect the light to the supply circuit when power is applied.

NOTICE

REVERSE POLARITY/MISWIRING—DC strobe units are polarity- and voltage-sensitive and may be damaged by an incorrect electrical hookup. When connecting the 24 Vdc strobe unit to the voltage supply lines, polarity must be observed. In addition, damage will result if the voltage rating of the particular model is exceeded.

See the figures on pages 6 and 7. To wire the DC beacon to the fixture terminal block:

1. Connect the positive (+) power source wire to the terminal block screw marked **L+**.
2. Connect the negative (-) power source wire to the terminal block screw marked **N-**.
3. If required by local building codes, connect the earth ground wire to the green screw in the fixture mount.
4. Place the terminal block in the fixture mount and secure it with the mounting screws.
5. Plug unused conduit entries with the provided close-up plugs.
6. To prevent galling and ease future maintenance, ensure that the fixture mount threads are clean and lubricated.
7. Thread the fixture clockwise into the fixture mount and hand tighten it securely.

Wiring the AC Beacon to the CMXC-SB and PMXC-SB

The CMXC-SB is not suitable for use with through-branch circuit conductors.

⚠ WARNING

SHOCK HAZARD—To avoid electrical shock hazards, do not connect the light to the supply circuit when power is applied.

⚠ WARNING

SHOCK HAZARD—To reduce shock hazards during maintenance POLARITY MUST BE OBSERVED when connecting AC units to the power source.

See the figures on pages 6 and 7. To wire the AC beacon to the fixture terminal block:

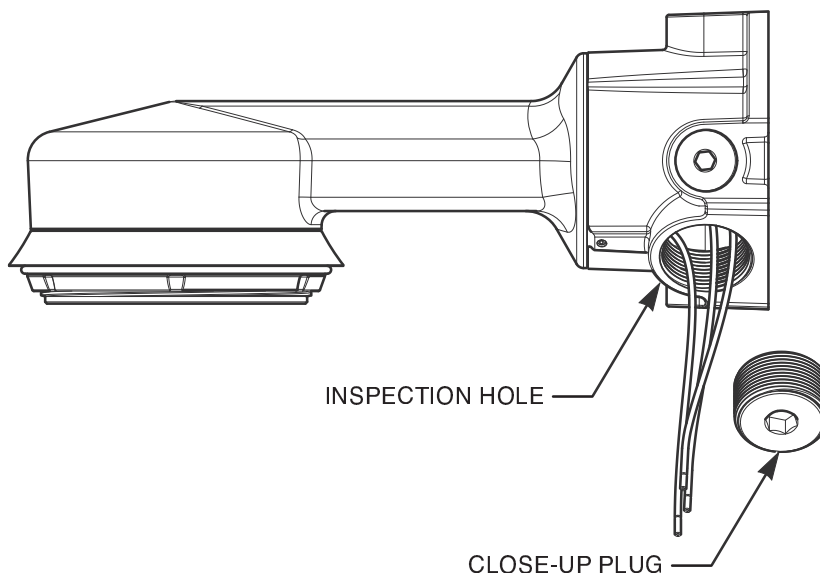
1. Connect the phase (hot) power source wire to the terminal block screw marked **L+**.
2. Connect the common (neutral) power source wire to the terminal block screw marked **N-**.
3. If required by local building codes, connect the earth ground wire to the green screw in the fixture mount.
4. Place the terminal block in the fixture mount and secure it with the mounting screws.
5. Plug unused conduit entries with the provided close-up plugs.
6. To prevent galling and ease future maintenance, ensure that the threads on the fixture mount are clean and lubricated.
7. Thread the fixture clockwise into the fixture mount and hand tighten it securely.

Installing the WMXC-SB Wall Mount

To install the wall mount fixture on the support surface:

1. See Figure 3. Secure the wall mount to the support surface using the two external mounting holes.
2. Use wire nuts to connect power and ground as described in the next sections.

Figure 3 Model WMXC-SB wall mount



Wiring the Non-supervised DC Beacon to the WMXC-SB

⚠ WARNING

SHOCK HAZARD—To avoid electrical shock hazards, do not connect the light to the supply circuit when power is applied.

NOTICE

REVERSE POLARITY/MISWIRING—DC strobe units are polarity- and voltage-sensitive and may be damaged by an incorrect electrical hookup. When connecting the 24 Vdc strobe unit to the voltage supply lines, polarity must be observed. In addition, damage will result if the voltage rating of the particular model is exceeded.

To wire the non-supervised DC beacon to the fixture terminal block:

1. Connect the positive (+) power source to the black wire.
2. Connect the negative (–) power source to the white wire.
3. If required by local building codes, connect the green/yellow wire to earth ground.
4. To prevent galling and ease future maintenance, ensure that the fixture mount threads are clean and lubricated.
5. Thread the fixture clockwise into the fixture mount and hand tighten it securely.

Wiring the Supervised DC Beacon to the WMXC-4-SB and WMXC-4R-SB

⚠ WARNING

SHOCK HAZARD—To avoid electrical shock hazards, do not connect the light to the supply circuit when power is applied.

NOTICE

REVERSE POLARITY/MISWIRING—DC strobe units are polarity- and voltage-sensitive and may be damaged by an incorrect electrical hookup. When connecting the 24 Vdc strobe unit to the voltage supply lines, polarity must be observed. In addition, damage will result if the voltage rating of the particular model is exceeded.

The Models WMXC-4-SB and WMXC-4R-SB wall mounts have five leads: two red, two black, and one green/yellow.

To wire the supervised DC beacon to the fixture terminal block for electrical supervision:

1. Connect one red (+) lead to the positive side of the incoming power source.
2. Connect the other red (+) lead to the positive side of the outgoing power source.

Installation Instructions for Optional Fixture Mounts

3. Connect one black (–) lead to the negative side of the incoming power source.
4. Connect the other black (–) lead to the negative side of the outgoing power source.
5. If required by local building codes, connect the green/yellow lead to earth ground.
6. To prevent galling and ease future maintenance, ensure that the fixture mount threads are clean and lubricated.
7. Thread the fixture clockwise into the fixture mount and hand tighten it securely.

Connecting the AC Beacon to the WMXC-SB

⚠ WARNING

SHOCK HAZARD—To avoid electrical shock hazards, do not connect the light to the supply circuit when power is applied.

⚠ WARNING

To reduce shock hazards during maintenance POLARITY MUST BE OBSERVED when connecting AC units to the power source.

See Figure 3 on page 10. To wire the AC beacon to the fixture terminal block:

1. Connect the phase (hot) power source wire to the black wire.
2. Connect the common (neutral) power source to the white wire.
3. If required by local building codes, connect the earth ground wire to the green/yellow wire.
4. Push the wires into the inspection hole Plug unused conduit openings and the inspection hole with the provided close-up plugs.
5. To prevent galling and ease future maintenance, ensure that the fixture mount threads are clean and lubricated.

6. Thread the fixture clockwise into the fixture mount and hand tighten it securely.

Getting Repair Service or Technical Assistance

Products returned for repair require a Return Authorization form from your local distributor or from Federal Signal. To obtain repair service or technical assistance from Federal Signal, call 708-534-4756 or 877-289-3246. For instruction manuals and information on related products, visit:

<http://www.federsignal-indust.com>

Returning the Product for Credit

Product returns for credit require a return authorization from your local distributor prior to returning the product to Federal Signal. Please contact your distributor for assistance.

A product is qualified to be returned for credit when the following conditions are met:

- Product is resalable and in the original cartons
- Product has not been previously installed
- Product is the current revision
- Product has not been previously repaired
- Product is a standard product
- Product is not a service part

All returns are subject to a re-stock fee.

Defective products that are returned within the warranty period will be repaired or replaced at Federal Signal's sole discretion. Defective products do not include those products with lamp failure.

Circumstances other than those listed above will be addressed on a case-by-case basis.



Industrial Systems

2645 Federal Signal Drive • University Park, IL 60484-3167

Tel: 708-534-4756 • 877-289-3246 • Fax: 708-534-4852

Email: elp@federalsignal.com • www.federalsignal-indust.com • www.fs-isys.com



FEDERAL SIGNAL

Safety and Security Systems / Industrial

Advancing security and well-being.

Modèles CMXC-SB, PMXC-SB et WMXC-SB



***Instructions d'installation pour les
assemblages optionnels de luminaires***



Garantie – Le vendeur offre pour tous les produits une garantie de cinq ans sur les pièces et de 2,5 ans sur la main-d’oeuvre, selon les conditions et exceptions suivantes : le vendeur garantit que tous les produits qu’il fabrique seront conformes aux descriptions correspondant aux spécifications qui font expressément partie de ce contrat de vente et qu’au moment de la vente par le vendeur, de tels produits devront être exempts de défauts de matériel et de fabrication. Le vendeur se réserve le droit, à sa discrétion, de « réparer et renvoyer » ou de « remplacer » tout article jugé défectueux durant la période de garantie. Cette garantie ne couvre pas les frais de voyage, le coût de l’équipement spécialisé pour avoir accès au produit ou les frais de main-d’oeuvre liés au retrait et à la réinstallation du produit. Cette garantie sera inopérante et ne s’appliquera pas aux produits qui ont subi un mauvais usage, une négligence, un accident, des dommages ou un entretien inapproprié, ou aux produits modifiés ou réparés par toute personne autre que le vendeur ou son représentant autorisé, ou si cinq ans se sont écoulés depuis la date de l’envoi des produits par le vendeur avec les exceptions suivantes : les lampes et les tubes stroboscopiques ne sont pas couverts par cette garantie. Les sirènes d’alarme extérieures et les appareils de contrôle fabriqués par Federal Warning Systems sont couverts par une garantie de deux ans sur les pièces et de un an sur la main-d’oeuvre. Aucun agent, employé, représentant ou distributeur du vendeur n’a autorité pour lier celui-ci à une représentation, affirmation ou garantie relative aux produits et une telle représentation, affirmation ou garantie ne pourra pas être considérée comme faisant partie des généralités du contrat de vente et sera inexécutable. LES GARANTIES CI-DESSUS SONT EXCLUSIVES ET TIENNENT LIEU DE TOUTES LES AUTRES GARANTIES DE QUALITÉ MARCHANDE, DE COMPATIBILITÉ À UN USAGE PARTICULIER OU D’UN AUTRE TYPE, QU’ELLES SOIENT EXPRESSES OU IMPLICITES. Ces garanties ne s’appliqueront pas si le vendeur n’a pas la possibilité raisonnable d’enquêter sur toutes les réclamations de produits présumés défectueux. À la demande du vendeur, un seul échantillon des produits présumés défectueux lui sera renvoyé pour inspection et approbation. La raison de toute réclamation pour des défauts présumés dans les produits ne pouvant être découverts après une inspection raisonnable en vertu du paragraphe 8 ci-contre doit être entièrement expliquée par écrit et reçue par le vendeur dans les trente jours après que l’acheteur a pris connaissance du défaut. Sinon, une telle réclamation sera considérée comme nulle.



Industrial Systems

2645 Federal Signal Drive • University Park, IL 60484-3167

Tel: 708-534-4756 • 877-289-3246 • Fax: 708-534-4852

Email: elp@federalsignal.com • www.federalsignal-indust.com • www.fs-isys.com

Contenu

Messages de sécurité destinés aux installateurs	19
Aperçu des assemblages de luminaires	20
Installation au plafond du modèle CMXC-SB.....	20
Installation de l'assemblage de la suspension du modèle PMXC-SB	21
Raccorder le fanal à C.C. au CMXC-SB et au PMXC-SB	22
Raccorder le fanal à C.A. au CMXC-SB et au PMXC-SB	23
Installer l'assemblage mural du modèle WMXC-SB.....	24
Raccorder le fanal à C.C. non surveillé au WMXC-SB	25
Raccorder le fanal à C.C. sous surveillance au WMXC-4-SB et au WMXC-4R-SB	26
Raccorder le fanal à C.A. au WMXC-SB	27
Service de réparation ou assistance technique	28
Renvoi du produit pour obtention d'un crédit.....	28

Figures

Figure 1 Assemblage au plafond du modèle CMXC-SB	20
Figure 2 Assemblage de la suspension du modèle PMXC-SB.....	21
Figure 3 Assemblage mural du modèle WMXC-SB.....	24

Messages de sécurité destinés aux installateurs

⚠️ AVERTISSEMENT

Bien suivre toutes les instructions fournies avec ce produit. Cet appareil doit être installé par un électricien qualifié qui connaît parfaitement le Code national de l'électricité/le Code canadien de l'électricité, et suivra les directives du CNE/du CCE, ainsi que les codes locaux.

La détermination d'un emplacement pour le montage de l'appareil, ses commandes et l'acheminement du câblage doivent être exécutés sous la direction de l'ingénieur des installations et de l'ingénieur de la sécurité. De plus, d'autres précautions et instructions importantes relatives à la sécurité et à observer figurent dans la liste ci-dessous :

- Bien lire et comprendre toutes les instructions avant d'installer ou d'utiliser cet équipement.
- Ne jamais modifier cet appareil de quelque façon que ce soit. Le fait de pratiquer d'autres ouvertures ou d'apporter d'autres modifications à des appareils spécialement conçus pour des emplacements dangereux peut compromettre la sécurité.
- Après l'installation, s'assurer que toutes les vis sont bien resserrées.
- Après l'installation, tester l'installation d'éclairage pour vérifier son bon fonctionnement.
- Une fois le test terminé, distribuer un exemplaire de cette fiche d'instructions à l'ensemble du personnel d'exécution.
- Mettre en place une procédure visant à vérifier régulièrement l'intégrité et le bon fonctionnement de la lumière installée.

Le non-respect de toutes les précautions et instructions de sécurité peut provoquer des dommages à la propriété, des blessures graves voire la mort.

Aperçu des assemblages de luminaires

Les assemblages optionnels de luminaires sont conçus pour remplacer l'assemblage de la suspension originale du boîtier antidéflagration de la lumière.

Le filage doit être conforme à l'article 500 du Code national de l'électricité et de l'autorité locale ayant juridiction.

En cas d'utilisation en milieu marin, tous les fils, y compris les fils d'alimentation, doivent être des fils multibrins conformes aux sections (110 à 113) de la norme USCG (CFR46).

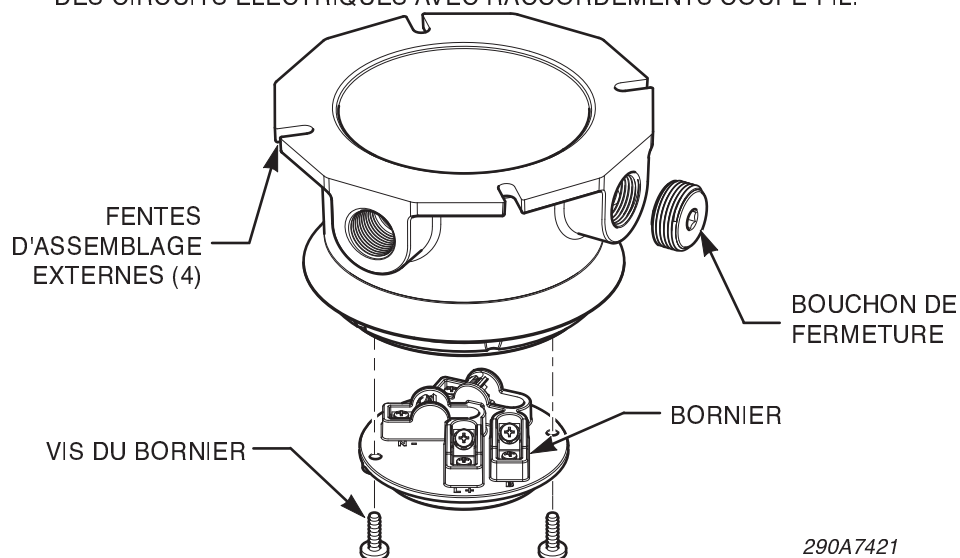
Installation au plafond du modèle CMXC-SB

Pour installer l'assemblage pour plafond sur la surface d'appui :

1. Voir la Figure 1. Fixer l'assemblage pour plafond à la surface d'appui en utilisant les quatre fentes d'assemblage externes.

Figure 1 Assemblage au plafond du modèle CMXC-SB

LE MODÈLE CMXC-SB N'EST PAS CONÇU POUR ÊTRE UTILISÉ AVEC DES CIRCUITS ÉLECTRIQUES AVEC RACCORDEMENTS COUPE-FIL.



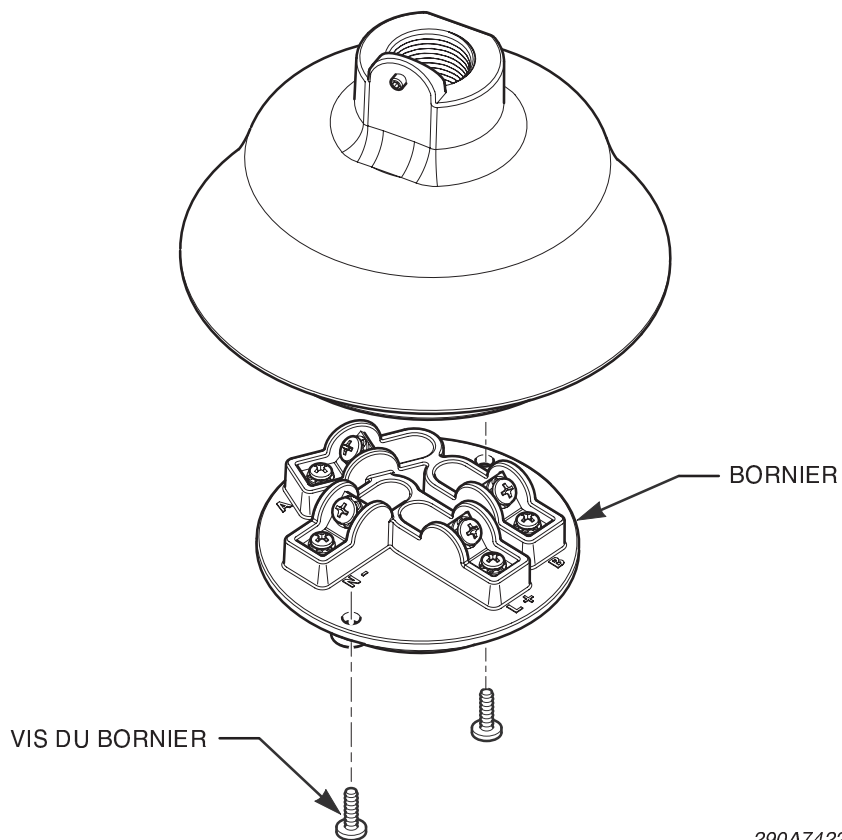
2. Retirer le bornier de l'assemblage pour plafond en retirant les deux vis le fixant au luminaire.
3. Pour connaître les instructions relatives au filage du fanal, consulter la page 22 pour un fanal à C.C. ou la page 23 pour un fanal à C.A.

Installation de l'assemblage de la suspension du modèle PMXC-SB

Pour installer l'assemblage de la suspension sur un tuyau de 19 mm (3/4 po) :

1. S'assurer que les filets correspondants sont propres.
2. Visser l'assemblage de la suspension sur le tuyau de 19 mm (3/4 po) et le fixer à l'aide de la vis de serrage.
3. Retirer le bornier de l'assemblage pour plafond en retirant les deux vis le fixant au luminaire.
4. Pour connaître les instructions relatives au filage du fanal, consulter la page 22 pour un fanal à C.C. ou la page 23 pour un fanal à C.A.

Figure 2 Assemblage de la suspension du modèle PMXC-SB



Raccorder le fanal à C.C. au CMXC-SB et au PMXC-SB

Le CMXC-SB n'est pas indiqué pour être utilisé avec circuits électriques avec raccords coupe-fil.

⚠ AVERTISSEMENT

RISQUE DE CHOC— Afin d'éviter les risques de chocs électriques, ne pas brancher la lumière au circuit d'alimentation lorsque l'alimentation est en marche.

AVIS

POLARITÉ INVERSÉE/MAUVAIS RACCORDEMENT— Les appareils stroboscopiques à C.C. sont sensibles à la polarité et à la tension et peuvent être endommagés par un raccordement électrique inadéquat. Lors du branchement de l'appareil stroboscopique de 24 V C.C. aux lignes d'alimentation de tension, la polarité doit être respectée. De plus, il peut subir des dommages en cas de dépassement de la tension nominale prévue pour ce modèle particulier.

Voir les figures aux pages 20 et 21. Pour raccorder le fanal à C.C. au bornier du luminaire :

1. Raccorder la source d'alimentation positive (+) à la vis du bornier portant l'inscription **L+**.
2. Raccorder la source d'alimentation négative (-) à la vis du bornier portant l'inscription **N-**.
3. Si les codes du bâtiment locaux l'exigent, raccorder le fil de prise de terre à la vis verte de l'assemblage du luminaire.
4. Placer le bornier dans l'assemblage du luminaire et le fixer à l'aide des vis de montage.
5. Boucher les entrées de conduits non utilisées à l'aide des bouchons de fermeture fournis.
6. Afin de prévenir l'éraillure et faciliter l'entretien éventuel, s'assurer que les filets de l'assemblage du luminaire soient propres et lubrifiés.

7. Tarauder le luminaire à l'assemblage du luminaire dans le sens horaire, et bien resserrer à la main.

Raccorder le fanal à C.A. au CMXC-SB et au PMXC-SB

Le CMXC-SB n'est pas indiqué pour être utilisé avec circuits électriques avec raccords coupe-fil.

⚠ AVERTISSEMENT

RISQUE DE CHOC—Afin d'éviter les risques de chocs électriques, ne pas brancher la lumière au circuit d'alimentation lorsque l'alimentation est en marche.

⚠ AVERTISSEMENT

RISQUE DE CHOC—Afin de réduire les risques de chocs lors de l'entretien, LA POLARITÉ DOIT ÊTRE RESPECTÉE lors du raccordement des appareils à C.A. à la source d'alimentation.

Voir les figures aux pages 20 et 21. Pour raccorder le fanal à C.A. au bornier du luminaire :

1. Raccorder la source d'alimentation phasée (chaude) à la vis du bornier portant l'inscription **L+**.
2. Raccorder la source d'alimentation commune (neutre) à la vis du bornier portant l'inscription **N-**.
3. Si les codes du bâtiment locaux l'exigent, raccorder le fil de prise de terre à la vis verte de l'assemblage du luminaire.
4. Placer le bornier dans l'assemblage du luminaire et le fixer à l'aide des vis de montage.
5. Boucher les entrées de conduits non utilisées à l'aide des bouchons de fermeture fournis.
6. Afin de prévenir l'éraillure et faciliter l'entretien éventuel, s'assurer que les filets de l'assemblage du luminaire sont propres et lubrifiés.

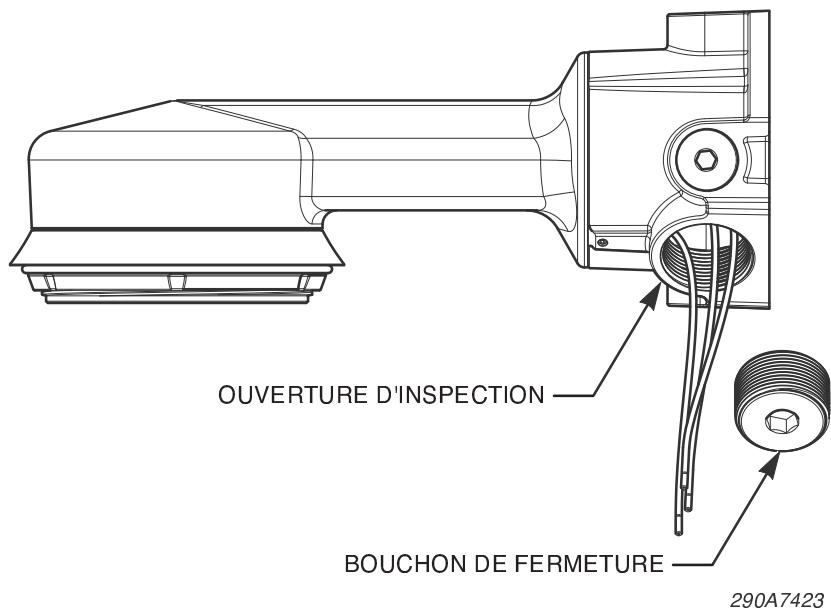
7. Tarauder le luminaire à l'assemblage du luminaire dans le sens horaire, et bien resserrer à la main.

Installer l'assemblage mural du modèle WMXC-SB

Pour installer l'assemblage mural du luminaire à la surface d'appui :

1. Voir la Figure 3. Fixer l'assemblage mural à la surface d'appui à l'aide des deux trous de montage externes.
2. Utiliser des serre-fils pour brancher l'alimentation et la prise de terre tel que décrit dans les sections suivantes.

Figure 3 Assemblage mural du modèle WMXC-SB



Raccorder le fanal à C.C. non surveillé au WMXC-SB

⚠ AVERTISSEMENT

RISQUE DE CHOC— Afin d'éviter les risques de chocs électriques, ne pas brancher la lumière au circuit d'alimentation lorsque l'alimentation est en marche.

AVIS

POLARITÉ INVERSÉE/MAUVAIS RACCORDEMENT— Les appareils stroboscopiques à C.C. sont sensibles à la polarité et à la tension et peuvent être endommagés par un raccordement électrique inadéquat. Lors du branchement de l'appareil stroboscopique de 24 V C.C. aux lignes d'alimentation de tension, la polarité doit être respectée. De plus, il peut subir des dommages en cas de dépassement de la tension nominale prévue pour ce modèle particulier.

Pour raccorder le fanal à C.C. non surveillé au bornier du luminaire :

1. Raccorder la source d'alimentation positive (+) au fil noir.
2. Raccorder la source d'alimentation négative (-) au fil blanc.
3. Si les codes du bâtiment locaux l'exigent, raccorder le fil vert/jaune à la prise de terre.
4. Afin de prévenir l'éraillure et faciliter l'entretien éventuel, s'assurer que les filets de l'assemblage du luminaire soient propres et lubrifiés.
5. Tarauder le luminaire à l'assemblage du luminaire dans le sens horaire, et bien resserrer à la main.

Raccorder le fanal à C.C. sous surveillance au WMXC-4-SB et au WMXC-4R-SB

⚠ AVERTISSEMENT

RISQUE DE CHOC— Afin d'éviter les risques de chocs électriques, ne pas brancher la lumière au circuit d'alimentation lorsque l'alimentation est en marche.

AVIS

POLARITÉ INVERSÉE/MAUVAIS RACCORDEMENT— Les appareils stroboscopiques à C.C. sont sensibles à la polarité et à la tension et peuvent être endommagés par un raccordement électrique inadéquat. Lors du branchement de l'appareil stroboscopique de 24 V C.C. aux lignes d'alimentation de tension, la polarité doit être respectée. De plus, il peut subir des dommages en cas de dépassement de la tension nominale prévue pour ce modèle particulier.

Les assemblages muraux des modèles WMXC-4-SB et WMCX-4R-SB comportent cinq fils de sortie : deux rouges, deux noirs et un vert/jaune.

Pour raccorder le fanal à C.C. sous surveillance au bornier du luminaire pour effectuer une surveillance électrique :

1. Raccorder un fil de sortie rouge (+) au côté positif de la source d'alimentation entrante.
2. Raccorder l'autre fil de sortie rouge (+) au côté positif de la source d'alimentation sortante.
3. Raccorder un fil de sortie noir (-) au côté négatif de la source d'alimentation entrante.
4. Raccorder l'autre fil de sortie noir (-) au côté négatif de la source d'alimentation sortante.
5. Si les codes du bâtiment locaux l'exigent, raccorder le fil vert/jaune à la prise de terre.

6. Afin de prévenir l'éraillure et faciliter l'entretien éventuel, s'assurer que les filets de l'assemblage du luminaire soient propres et lubrifiés.
7. Tarauder le luminaire à l'assemblage du luminaire dans le sens horaire, et bien resserrer à la main.

Raccorder le fanal à C.A. au WMXC-SB

⚠ AVERTISSEMENT

RISQUE DE CHOC—Afin d'éviter les risques de chocs électriques, ne pas brancher la lumière au circuit d'alimentation lorsque l'alimentation est en marche.

⚠ AVERTISSEMENT

RISQUE DE CHOC—Afin de réduire les risques de chocs lors de l'entretien, **LA POLARITÉ DOIT ÊTRE RESPECTÉE** lors du raccordement des appareils à C.A. à la source d'alimentation.

Voir la Figure 3 à la page 24. Pour raccorder le fanal à C.A. au bornier du luminaire :

1. Raccorder la source d'alimentation phasée (chaude) au fil noir.
2. Raccorder la source d'alimentation commune (neutre) au fil blanc.
3. Si les codes du bâtiment locaux l'exigent, raccorder la prise de terre au fil vert/jaune.
4. Pousser les fils dans l'ouverture d'accès Boucher les entrées de conduits et les ouvertures d'accès non utilisées à l'aide des bouchons de fermeture fournis.
5. Afin de prévenir l'éraillure et faciliter l'entretien éventuel, s'assurer que les filets de l'assemblage du luminaire soient propres et lubrifiés.
6. Tarauder le luminaire à l'assemblage du luminaire dans le sens horaire, et bien resserrer à la main.

Service de réparation ou assistance technique

Les produits renvoyés pour réparation doivent être accompagnés d'un formulaire d'autorisation de renvoi par le distributeur local ou par Federal Signal. Pour l'entretien du produit ou assistance technique par Federal Signal, communiquer avec nous au 708-534-4858 ou 877-289-3246.

Pour les manuels d'instructions et d'informations sur les produits connexes, aller à <http://www.federalsignal-indust.com>.

Renvoi du produit pour obtention d'un crédit

Les produits renvoyés doivent être accompagnés d'une autorisation de renvoi accordée par le distributeur local avant l'envoi chez Federal Signal. Communiquer avec le distributeur pour obtenir de l'aide.

Un produit peut être renvoyé avec obtention d'un crédit si les conditions suivantes sont remplies :

- Le produit est revendable puis est renvoyé dans son emballage d'origine
- Le produit n'a pas encore été installé
- Le produit est le modèle le plus récent
- Le produit n'a jamais été réparé
- Le produit est un produit standard
- Le produit n'est pas une pièce détachée

Tous les renvois de produits font l'objet de frais de restockage.

Les produits défectueux renvoyés au cours de la période de garantie seront réparés ou remplacés à la seule discrétion de Federal Signal. Les produits dont la lampe est défectueuse ne sont pas considérés comme des produits défectueux.

Toute demande autre que celles citées ci-dessus sera examinée au cas par cas.



FEDERAL SIGNAL

Safety and Security Systems / Industrial

Advancing security and well-being.

Modelos CMXC-SB, PMXC-SB y WMXC-SB



***Instrucciones de instalación para
montajes de sujeción opcionales***

25500050A
REV. A1 1113
Impreso en los EE. UU.



Garantía: El vendedor garantiza todos los productos por cinco años para las piezas y por 2-1/2 años para la mano de obra, bajo las siguientes condiciones y excepciones: El Vendedor garantiza que todos los productos fabricados por el Vendedor se ajustarán a las descripciones de los mismos para especificaciones que expresamente forman parte de este contrato de venta y en el momento de la venta por parte del Vendedor tales productos estarán comercialmente libres de defectos en material o mano de obra. El Vendedor se reserva el derecho, a criterio del Vendedor, de “Reparar y devolver” o “Reemplazar” cualquier elemento considerado defectuoso durante el período de garantía. Esta garantía no cubre gastos de viaje, el costo de equipos especializados para obtener acceso al producto ni los cargos de mano de obra por la extracción y la nueva instalación del producto. Esta garantía no tendrá validez y no será de aplicación a productos que hayan sido sometidos a uso incorrecto, descuido, accidente, daño, mantenimiento incorrecto o productos alterados o reparados por otra persona que no sea el Vendedor o su representante autorizado, o si han transcurrido cinco años desde la fecha de envío del producto por parte del Vendedor, con las excepciones siguientes: las lámparas y los tubos estroboscópicos no están cubiertos por esta garantía. Las sirenas de advertencia y los controladores externos fabricados por Federal Warning Systems cuentan con garantía de dos años sobre las piezas y de un año sobre la mano de obra. Ningún agente, empleado, representante o distribuidor del Vendedor tiene autorización de obligar al Vendedor frente a ninguna declaración, afirmación o garantía relacionada con los productos y tal declaración, afirmación o garantía no se considerará parte de los elementos básicos del contrato de venta y no será exigible. LAS GARANTÍAS ANTERIORES SON EXCLUSIVAS Y REEMPLAZAN TODA OTRA GARANTÍA DE COMERCIABILIDAD, DE IDONEIDAD PARA UN PROPÓSITO Y DE CUALQUIER TIPO, YA SEA EXPRESA O IMPLÍCITA. Estas garantías no serán de aplicación a menos que el Vendedor reciba una oportunidad razonable de investigar todos los reclamos por mercaderías supuestamente defectuosas. Ante la indicación del Vendedor, se devolverá una sola muestra de los productos defectuosos al Vendedor para su inspección y aprobación. La base de todos los reclamos por supuestos defectos en los productos que no se descubra ante la inspección razonable de los mismos en virtud del párrafo 8 del presente debe explicarse totalmente por escrito y debe ser recibida por el Vendedor dentro de los treinta días posteriores a que el Comprador tome conocimiento del defecto o tal reclamo se considerará caducado.



Industrial Systems

2645 Federal Signal Drive • University Park, IL 60484-3167

Tel: 708-534-4756 • 877-289-3246 • Fax: 708-534-4852

Email: elp@federalsignal.com • www.federalsignal-indust.com • www.fs-isys.com

Contenido

Mensajes de seguridad para los instaladores.....	33
Descripción general de los montajes de sujeción	34
Instalación del montaje para techo CMXC-SB.....	34
Instalación del montaje colgante PMXC-SB	35
Conexión de la baliza CC a los modelos CMXC-SB y PMXC-SB	36
Conexión de la baliza CA a los modelos CMXC-SB y PMXC-SB	37
Instalación del montaje para pared serie WMXC-SB	38
Conexión de la baliza CC no supervisada al modelo WMXC-SB.....	39
Conexión de la baliza CC supervisada a los modelos WMXC-4-SB y WMXC-4R-SB	40
Conexión de la baliza CA al modelo WMXC-SB	41
Servicio de reparación y asistencia técnica	42
Cómo devolver el producto para obtener crédito	42

Figuras

Figura 1 Montaje para techo modelo CMXC-SB	34
Figura 2 Montaje colgante modelo PMXC-SB.....	35
Figura 3 Montaje para pared modelo WMXC-SB	38

Mensajes de seguridad para los instaladores

⚠ ADVERTENCIA

Es importante seguir todas las instrucciones enviadas con este producto. Este dispositivo debe ser instalado por un electricista profesional que conozca a fondo el Código Eléctrico Nacional (NEC, por su sigla en inglés)/Código Eléctrico Canadiense (CEC, por su sigla en inglés) y que siga los lineamientos del NEC/CEC y los códigos locales.

La selección del lugar de montaje del dispositivo, de sus controles y de la disposición de los cables debe realizarse bajo la dirección del ingeniero de la planta y del ingeniero de seguridad. Asimismo, a continuación se incluyen algunas precauciones e instrucciones de seguridad importantes que usted debe seguir:

- Lea atentamente todas las instrucciones antes de instalar y usar este equipo.
- No altere nunca la unidad de ninguna forma. En zonas peligrosas, la seguridad puede verse comprometida si se realizan aberturas adicionales u otras alteraciones en unidades específicamente diseñadas para utilizarse en estas ubicaciones.
- Después de la instalación, asegúrese de que todos los tornillos estén bien ajustados.
- Después de la instalación, pruebe el sistema de luz para garantizar que funcione correctamente.
- Una vez que haya finalizado la prueba, entregue una copia de esta hoja de instrucciones a todo el personal de operación.
- Establezca un procedimiento destinado a verificar periódicamente la instalación de luz para comprobar la integridad y el funcionamiento apropiado.

Si no se siguen estas precauciones de seguridad e instrucciones, pueden producirse daños materiales, lesiones graves o incluso la muerte.

Descripción general de los montajes de sujeción

Los montajes de sujeción opcionales están destinados a reemplazar el montaje colgante original en la carcasa de luces a prueba de explosión.

El cableado debe cumplir con el Artículo 500 del Código Eléctrico Nacional y con la autoridad local competente.

Para aplicaciones marinas, todo el cableado, incluido el cable de alimentación, debe ser de cable trenzado y debe cumplir con los requisitos de la USCG (CFR46), Secciones (110-113).

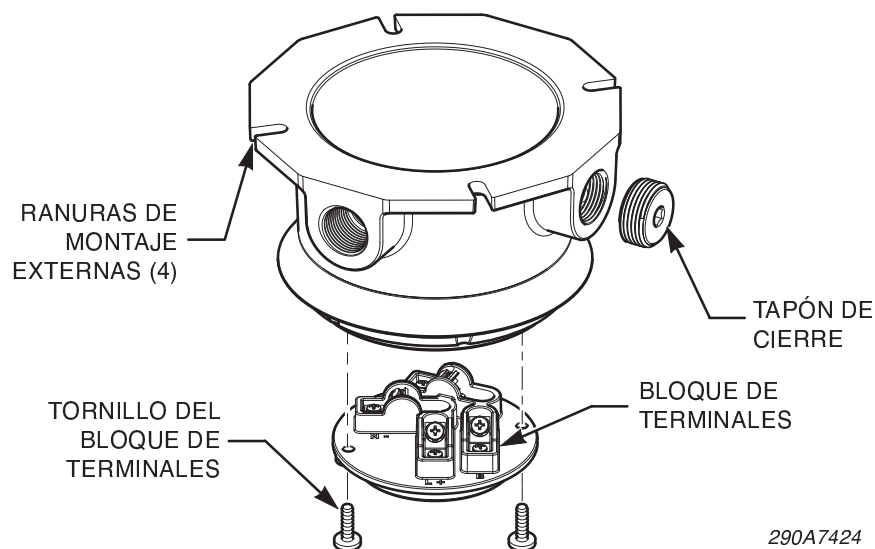
Instalación del montaje para techo CMXC-SB

Para instalar el montaje para techo en la superficie de soporte:

1. Vea la Figura 1. Sujete el montaje para techo a la superficie de soporte usando las cuatro ranuras de montaje externas.

Figura 1 Montaje para techo modelo CMXC-SB

EL CMXC-SB NO ES ADECUADO PARA USAR
CON CONDUCTORES DE CIRCUITOS DERIVADOS.



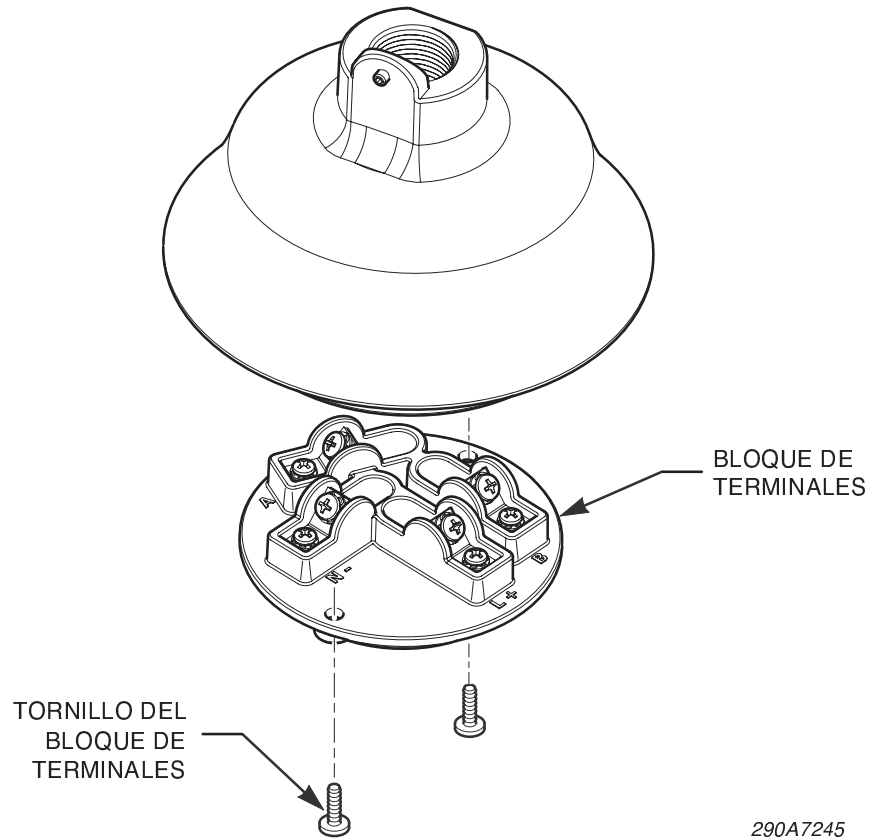
2. Extraiga el bloque de terminales del montaje para techo retirando los dos tornillos que lo sujetan al accesorio.
3. Para obtener instrucciones sobre la conexión de la baliza, consulte la página 36 para la baliza CC o la página 37 para la baliza CA.

Instalación del montaje colgante PMXC-SB

Para instalar el montaje colgante en el conducto de 3/4 pulgadas:

1. Asegúrese de que las roscas de acoplamiento estén limpias.
2. Enrosque el montaje colgante en el conducto de 3/4 pulgadas y sujételo con el tornillo de ajuste.
3. Extraiga el bloque de terminales del montaje para techo retirando los dos tornillos que lo sujetan al accesorio.
4. Para obtener instrucciones sobre la conexión de la baliza, consulte la página 36 para la baliza CC o la página 37 para la baliza CA.

Figura 2 Montaje colgante modelo PMXC-SB



Conexión de la baliza CC a los modelos CMXC-SB y PMXC-SB

El CMXC-SB no es adecuado para usarse con conductores de circuitos derivados.

⚠ ADVERTENCIA

RIESGO DE DESCARGA ELÉCTRICA: Para evitar riesgos de descarga eléctrica, no conecte la luz al circuito de alimentación cuando se aplica energía.

AVISO

POLARIDAD INVERSA/CABLEADO INCORRECTO: Las unidades de la baliza CC son sensibles a la polaridad y a voltaje y pueden verse dañadas por una conexión eléctrica incorrecta. Cuando se conecta la unidad de la baliza de 24 VCC a las líneas de suministro de voltaje, debe observarse la polaridad. Asimismo, se producirán daños si se excede la clasificación de voltaje del modelo en particular.

Vea las figuras en las páginas 34 y 35. Para conectar la baliza CC al bloque de terminales del accesorio:

1. Conecte el cable de fuente de alimentación positivo (+) al tornillo del bloque de terminales marcado **L+**.
2. Conecte el cable de fuente de alimentación negativo (-) al tornillo del bloque de terminales marcado **N-**.
3. Si así lo requieren los códigos de construcción locales, conecte el cable de tierra física al tornillo verde en el montaje de sujeción.
4. Coloque el bloque de terminales en el montaje de sujeción y sujételo con los tornillos de montaje.
5. Tape las entradas no utilizadas del conducto con los tapones de cierre provistos.
6. Para impedir la abrasión y facilitar el futuro mantenimiento, asegúrese de que las roscas del montaje de sujeción estén limpias y lubricadas.

7. Enrosque el accesorio hacia la derecha del montaje de sujeción y ajústelo bien a mano.

Conexión de la baliza CA a los modelos CMXC-SB y PMXC-SB

El CMXC-SB no es adecuado para usarse con conductores de circuitos derivados.

⚠ ADVERTENCIA

RIESGO DE DESCARGA ELÉCTRICA: Para evitar riesgos de descarga eléctrica, no conecte la luz al circuito de alimentación cuando se aplica energía.

⚠ ADVERTENCIA

RIESGO DE DESCARGA ELÉCTRICA: Para disminuir los riesgos de descarga durante el mantenimiento, **DEBE OBSERVARSE LA POLARIDAD** cuando se conectan unidades de CA a la fuente de alimentación.

Vea las figuras en las páginas 34 y 35. Para conectar la baliza CA al bloque de terminales del accesorio:

1. Conecte el cable de fuente de alimentación de fase (caliente) al tornillo del bloque de terminales marcado **L+**.
2. Conecte el cable de fuente de alimentación común (neutral) al tornillo del bloque de terminales marcado **N-**.
3. Si así lo requieren los códigos de construcción locales, conecte el cable de tierra física al tornillo verde en el montaje de sujeción.
4. Coloque el bloque de terminales en el montaje de sujeción y sujételo con los tornillos de montaje.
5. Tape las entradas no utilizadas del conducto con los tapones de cierre provistos.
6. Para impedir la abrasión y facilitar el futuro mantenimiento, asegúrese de que las roscas del montaje de sujeción estén limpias y lubricadas.

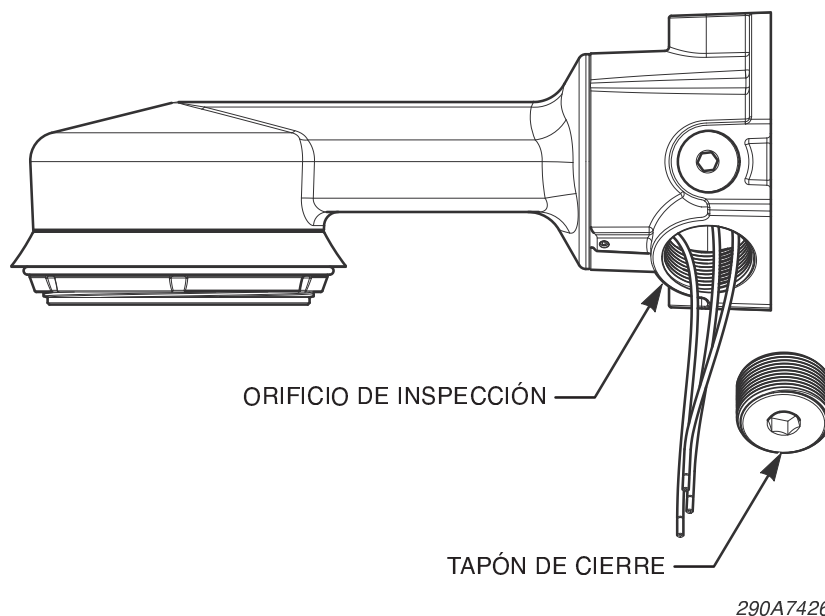
7. Enrosque el accesorio hacia la derecha del montaje de sujeción y ajústelo bien a mano.

Instalación del montaje para pared WMXC-SB

Para instalar el accesorio de montaje para pared en la superficie de soporte:

1. Vea la Figura 3. Sujete el montaje para pared a la superficie de soporte usando los dos orificios de montaje externos.
2. Use tuercas de cable para conexiones a red y a tierra según se describe en las siguientes secciones.

Figura 3 Montaje para pared WMXC-SB



Conexión de la baliza CC no supervisada al modelo WMXC-SB

⚠ ADVERTENCIA

RIESGO DE DESCARGA ELÉCTRICA: Para evitar riesgos de descarga eléctrica, no conecte la luz al circuito de alimentación cuando se aplica energía.

AVISO

POLARIDAD INVERSA/CABLEADO INCORRECTO: Las unidades de la baliza CC son sensibles a la polaridad y a voltaje y pueden verse dañadas por una conexión eléctrica incorrecta. Cuando se conecta la unidad de la baliza de 24 VCC a las líneas de suministro de voltaje, debe observarse la polaridad. Asimismo, se producirán daños si se excede la clasificación de voltaje del modelo en particular.

Para conectar la baliza CC no supervisada al bloque de terminales del accesorio:

1. Conecte la fuente de alimentación positiva (+) al cable negro.
2. Conecte la fuente de alimentación negativa (-) al cable blanco.
3. Si así lo requieren los códigos de construcción locales, conecte el cable verde/amarillo a tierra física.
4. Para impedir la abrasión y facilitar el futuro mantenimiento, asegúrese de que las roscas del montaje de sujeción estén limpias y lubricadas.
5. Enrosque el accesorio hacia la derecha del montaje de sujeción y ajústelo bien a mano.

Conexión de la baliza CC supervisada a los modelos WMXC-4-SB y WMXC-4R-SB

⚠ ADVERTENCIA

RIESGO DE DESCARGA ELÉCTRICA: Para evitar riesgos de descarga eléctrica, no conecte la luz al circuito de alimentación cuando se aplica energía.

AVISO

POLARIDAD INVERSA/CABLEADO INCORRECTO: Las unidades de la baliza CC son sensibles a la polaridad y a voltaje y pueden verse dañadas por una conexión eléctrica incorrecta. Cuando se conecta la unidad de la baliza de 24 VCC a las líneas de suministro de voltaje, debe observarse la polaridad. Asimismo, se producirán daños si se excede la clasificación de voltaje del modelo en particular.

Los montajes para pared modelos WMXC-4-SB y WMXC-4R-SB tienen cinco cables: dos rojos, dos negros y uno verde/amarillo.

Para conectar la baliza CC supervisada al bloque de terminales del accesorio con fines de supervisión eléctrica:

1. Conecte un cable rojo (+) al lado positivo de la fuente de alimentación de entrada.
2. Conecte el otro cable rojo (+) al lado positivo de la fuente de alimentación de salida.
3. Conecte un cable negro (-) al lado negativo de la fuente de alimentación de entrada.
4. Conecte el otro cable negro (+) al lado negativo de la fuente de alimentación de salida.
5. Si así lo requieren los códigos de construcción locales, conecte el cable verde/amarillo a tierra física.
6. Para impedir la abrasión y facilitar el futuro mantenimiento, asegúrese de que las roscas del montaje de sujeción estén limpias y lubricadas.

7. Enrosque el accesorio hacia la derecha del montaje de sujeción y ajústelo bien a mano.

Conexión de la baliza CA al modelo WMXC-SB

⚠ ADVERTENCIA

RIESGO DE DESCARGA ELÉCTRICA: Para evitar riesgos de descarga eléctrica, no conecte la luz al circuito de alimentación cuando se aplica energía.

⚠ ADVERTENCIA

RIESGO DE DESCARGA ELÉCTRICA: Para disminuir los riesgos de descarga durante el mantenimiento, DEBE OBSERVARSE LA POLARIDAD cuando se conectan unidades de CA a la fuente de alimentación.

Vea la Figura 3 en la página 38. Para conectar la baliza CA al bloque de terminales del accesorio:

1. Conecte el cable de fuente de alimentación de fase (caliente) al cable negro.
2. Conecte el cable de fuente de alimentación común (neutral) al cable blanco.
3. Si así lo requieren los códigos de construcción locales, conecte el cable de tierra física al cable verde/amarillo.
4. Pase los cables por el orificio de inspección y tape las aberturas no utilizadas del conducto y el orificio de inspección con los tapones de cierre provistos.
5. Para impedir la abrasión y facilitar el futuro mantenimiento, asegúrese de que las roscas del montaje de sujeción estén limpias y lubricadas.
6. Enrosque el accesorio hacia la derecha del montaje de sujeción y ajústelo bien a mano.

Servicio de reparación y asistencia técnica

Los productos devueltos para su reparación requieren un Formulario de autorización de devolución de su distribuidor o de Federal Signal. Para obtener el servicio de reparación o asistencia técnica de Federal Signal, llame al 708-534-4756 o 877-289-3246. Para obtener manuales de instrucciones e información sobre los productos relacionados, visite:

<http://www.federal-signal-indust.com>

Cómo devolver el producto para obtener crédito

Las devoluciones de productos para obtener crédito requieren una autorización de devolución de su distribuidor local antes de devolver el producto a Federal Signal. Póngase en contacto con su distribuidor para obtener ayuda.

Un producto está calificado para ser devuelto para obtener un crédito cuando se cumplen los siguientes requisitos:

- El producto está en su empaque original y se puede revender
- El producto no se ha instalado anteriormente
- El producto es la versión actual
- El producto no se ha reparado anteriormente
- El producto es un producto estándar
- El producto no es una pieza de reparación

Todas las devoluciones están sujetas a una tasa de manejo de existencias.

Los productos defectuosos que son devueltos en el plazo de garantía serán reparados o reemplazados a criterio de Federal Signal. Los productos defectuosos no incluyen aquellos productos con fallas en la lámpara.

Otras circunstancias que no hayan sido enumeradas anteriormente se tratarán de acuerdo a cada caso.