

INSTALLATION

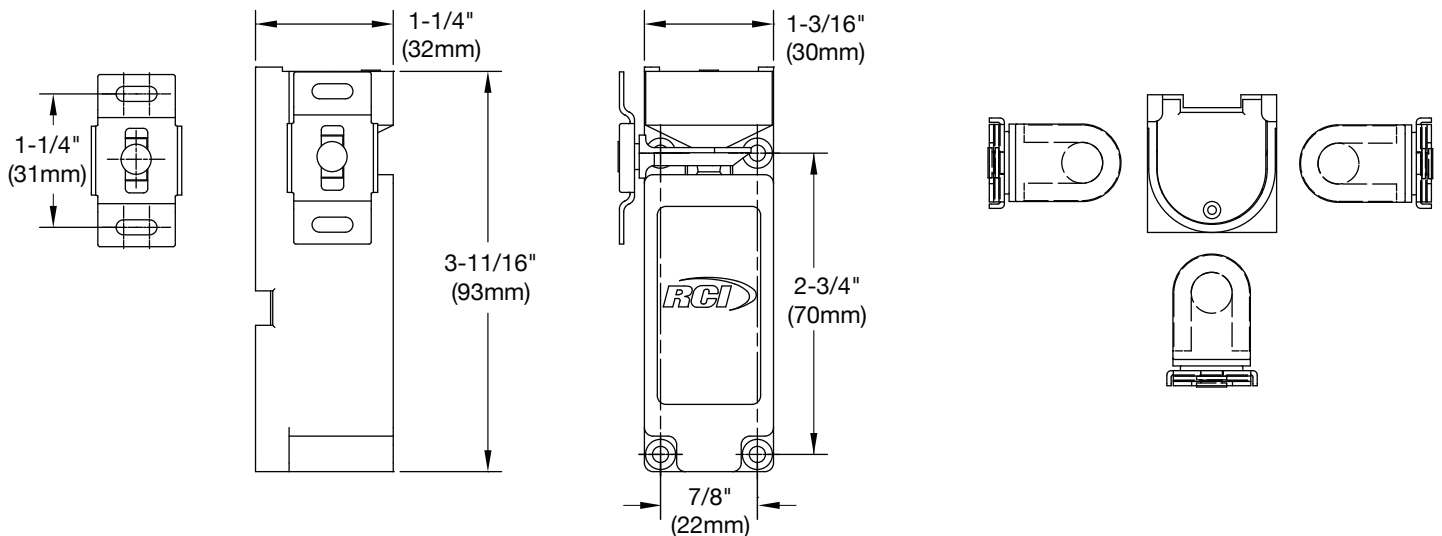
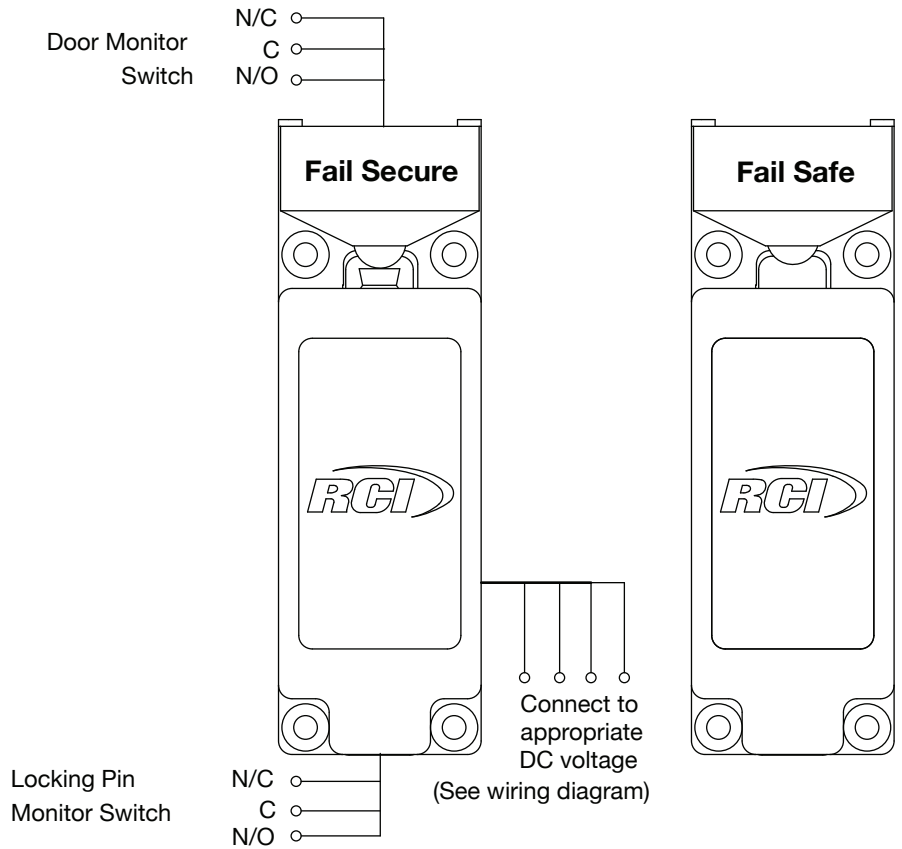
RCI 3513-DM DUAL MONITOR CABINET LOCK

Instructions For Lock Mode Change

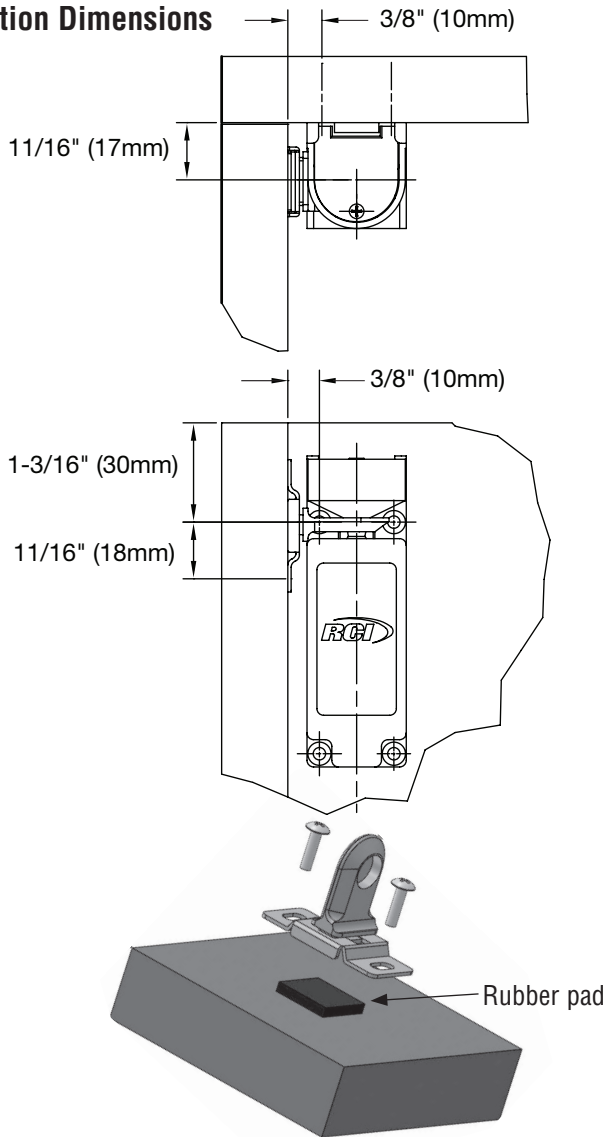
1. Remove the 2 screws on the bottom.
2. Remove base plate and solenoid.
3. Turn assembly 180° and install into housing.

NOTE: Care should be taken to prevent damage to switch lever.

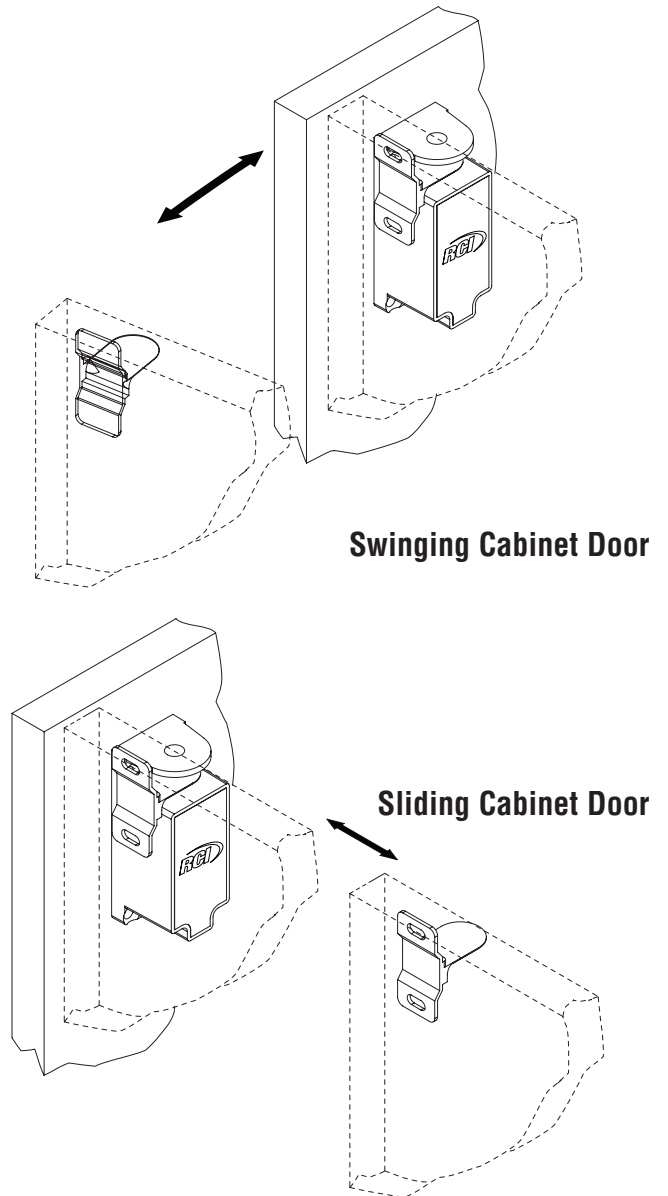
4. Insert the two screws.



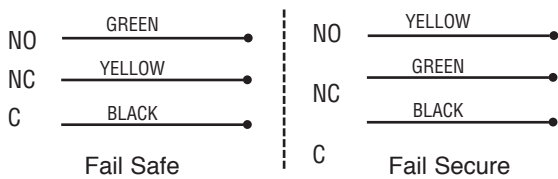
Installation Dimensions



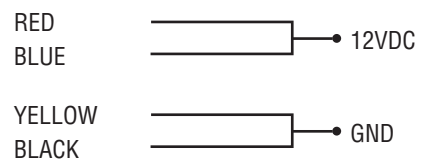
Install rubber pad in between the mounting surface and catch to secure catch position



Locking Pin Monitor Switch Wiring Diagram 125VAC; 1A / 30VDC; 0.5A



Cabinet Lock Dual Voltage Wiring Diagram 12VDC (200mA)



Door Monitor Switch Wiring Diagram 125VAC; 3A / 30VDC; 2A



Cabinet Lock Dual Voltage Wiring Diagram 24VDC (100mA)

