

Line Isolator Module

IDP-ISO

The IDP-ISO is a SLC loop line isolator module for use with Silent Knight IFP-series fire alarm control panels (FACPs). The IDP-ISO acts as an automatic switch that opens when the line voltage on the signaling line circuit (SLC) loop drops below four volts. Isolator modules should be spaced between groups of sensors or modules in a loop to protect the rest of the loop. If a short occurs between any two isolators, then both isolators immediately switch to an open circuit state and isolate the devices between them. The remaining units on the SLC loop continue to fully operate. No more than 25 devices are recommended for each group.

Features

- Isolates short circuits on an SLC loop
- Protects the modules on the SLC loop so other devices continue to operate
- Panel controlled status LED that flashes green in normal state and is solid red in alarm
- Standard 4 inch electrical box mounting
- SEMS screws for easy wiring
- UL Listed

Installation

The IDP-ISO mounts directly into a 4" square electrical box. The box must have a minimum depth of 2-1/8". A surface mount electrical box (System Sensor® PN SMB500) is available from Silent Knight.

Agency Listings



MEA
427-91-E Vol. X

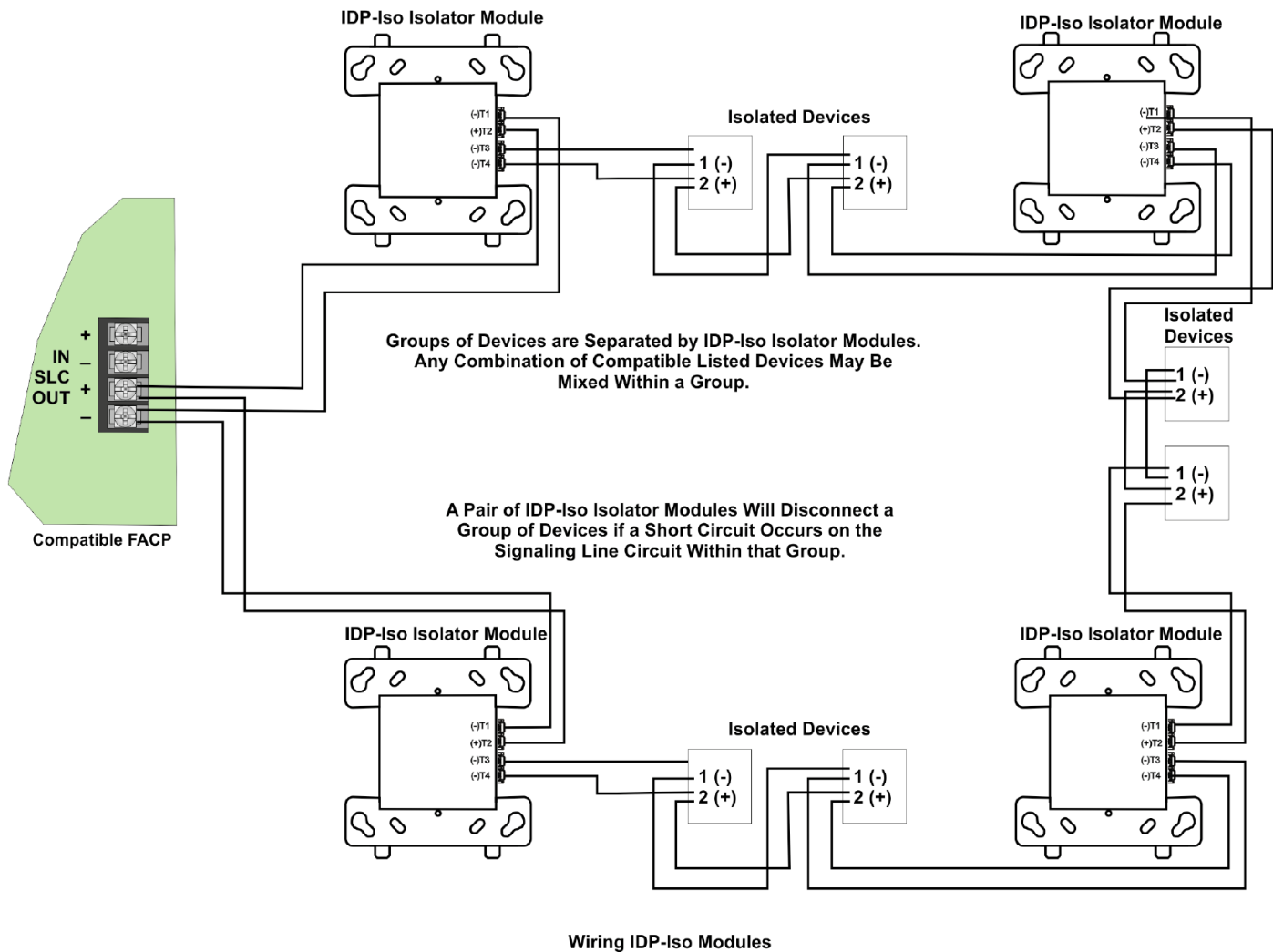


IDP-ISO

Compatibility

The IDP-ISO is compatible with the following FACPs:

- IFP-2000 / RPS-2000 Intelligent Fire Panel
- IFP-2000ECS Emergency Communication System with Fire Panel
- IFP-1000 / ECS Intelligent Fire Panel
- IFP-100 / ECS Intelligent Fire Panel
- IFP-50 Intelligent Fire Panel
- IFP-25 Intelligent Fire Panel



Groups of Devices are Separated by IDP-Iso Isolator Modules.
Any Combination of Compatible Listed Devices May Be Mixed Within a Group.

A Pair of IDP-Iso Isolator Modules Will Disconnect a Group of Devices if a Short Circuit Occurs on the Signaling Line Circuit Within that Group.

Specifications

Physical

Height: 4.5" (11.4 cm)
Width: 4" (10.2 cm)
Depth: 0.25" (0.6 cm)
Shipping Weight: 6.3 oz (196 g)

Electrical

Operating Voltage: 15 – 32 VDC
Standby Current: 450 μ A max (not isolating; relay closed)
Alarm Current: 17 mA
SLC Line Loop Resistance: 40 Ω

Environmental

Operating Temperature: 32°F – 120°F (0°C – 49°C)
Humidity: 10% – 93% non-condensing

Ordering Information

IDP-ISO Line Isolator Module

Accessories

SMB500 4" Square Surface Mount Electrical Box



This document is not intended to be used for installation purposes. We try to keep our product information up-to-date and accurate. We cannot cover all specific applications or anticipate all requirements. All specifications are subject to change without notice. For more information, contact Silent Knight 12 Clintonville Road, Northford, CT 06472-1610 Phone: (800) 328-0103, Fax: (203) 484-7118. For Technical Support, Please call 800-446-6444. www.farenhyt.com