

PNM-9322VQP

10MP to 22MP Multi-directional + 2MP PTZ Network Camera



Key Features

- Interchangeable 4 x 2MP / 5MP lens module options
- 8MP to 20MP multi-directional camera resolution (depend on the combination of lens modules)
- 60fps@2MP, 30fps@5MP (H.265 / H.264)
- WDR 150dB with 2MP, 120dB with 5MP lens module
- 2.4mm, 2.8mm, 3.6mm, 6mm, 12mm fixed lens options (2MP module)
- 3.7mm, 4.6mm, 7mm fixed lens options (5MP module)
- H.265, H.264, MJPEG codec, WiseStream II
- IP66, IK10, SD / SDHC / SDXC memory card slots x 5
- 4.44~142.6mm(Optical 32x) lens, Day & Night (ICR)
- PTZ Auto Tracking & SmartZoom to Preset/IVA trigger
- New install base design

Selectable lenses (Optional)



SLA-2M2400P



SLA-2M2800P



SLA-2M6000P



SLA-2M1200P



SLA-5M3700P



SLA-5M4600P



SLA-5M7000P



SLA-2M3600P

Accessories (Optional)



SBP-390WMW2



SBP-300KMW



SBP-300PMW

Video	
Imaging Device	1~4CH: Optional lens / 5CH: 1/2.8" CMOS
Resolution	[5MP] 2560x1920, 2560x1440, 1920x1080, 1600x1200, 1280x1024, 1280x960, 1280x720, 1024x768, 800x600, 800x448, 720x576, 720x480, 640x480, 320x240 [2MP] 1920x1080, 1280x1024, 1280x960, 1280x720, 1024x768, 800x600, 800x448, 720x576, 720x480, 640x480, 640x360, 320x240
Maximum Framerate	H.265/H.264: 2MP Maximum 60fps, 5MP Maximum 30fps MJPEG: Maximum 30fps
Video Out	CVBS : 1.0 Vp-p / 75Ω composite, 720x480, for installation
Lens	
Focal Length (Zoom Ratio)	1~4CH: Optional lens / 5CH: 4.44~142.6mm(32x) zoom
Maximum Aperture Ratio	1~4CH: Optional lens / 5CH: F1.6(Wide)~F4.4(Tele)
Angular Field of View	1~4CH: Optional lens / 5CH: H 61.8° (Wide)~2.19° (Tele), V 36.2° (Wide)~1.24° (Tele)
Minimum Object Distance	1~4CH: Optional lens / 5CH: Wide:1.5m, Tele:2m
Focus Control	1~4CH: Optional lens / 5CH: Oneshot AF
Optional Lens	SLA-2M2400P(2MP 2.4mm) SLA-2M2800P(2MP 2.8mm) SLA-2M3600P(2MP 3.6mm) SLA-2M6000P(2MP 6.0mm) SLA-2M1200P(2MP 12mm) SLA-5M3700P(5MP 3.7mm) SLA-5M4600P(5MP 4.6mm) SLA-5M7000P(5MP 7.0mm)
Pan / Tilt / Rotate	
Pan / Tilt / Rotate Range	1~4CH: Optional lens / 5CH: 360° Endless / 190° (-5° ~185°)
Pan Speed	5CH: Preset:700°/sec, Manual:0.024°/sec~200°/sec
Tilt Speed	5CH: Preset:700°/sec, Manual:0.024°/sec~200°/sec
Sequence	5CH: Preset(300ea), Swing, Group(128ea), Trace(4ea), Tour, Auto run, Schedule
Preset Accuracy	5CH: ±0.2°
Operational	
Camera Title	Displayed up to 85 characters
Day & Night	1~4ch: Auto(Electrical), 5CH: Auto(ICR)
Backlight Compensation	BLC, HLC, WDR, SSSDR
Wide Dynamic Range	2MP 150dB, 5MP 120dB
Digital Noise Reduction	SSNR V
Digital Image Stabilization	Support
Defog	Support
Motion Detection	8ea, 8point polygonal zones
Privacy Masking	1~4CH: 32ea, polygonal zones / 5CH: rectangular zones with zoom threshold - Color: Grey/Green/Red/Blue/Black/White - Mosaic
Gain Control	Low / Middle / High

White Balance	ATW / AWC / Manual / Indoor / Outdoor
LDC	Support
Electronic Shutter Speed	Minimum / Maximum / Anti flicker (2~1/12,000sec)
Video Rotation	Flip, Mirror, Hallway view(90 ° /270 °)
Analytics	Defocus detection, Directional detection, Face detection, Fog detection, Motion detection, Appear/Disappear, Enter/Exit, Loitering, Tampering, Virtual line, Auto Track (Ch 5)
Alarm I/O	Input 1ea / Output 2ea
Alarm Triggers	Analytics, Network disconnect
Alarm Events	File upload via FTP and e-mail Notification via e-mail SD/SDHC/SDXC recording at event triggers Alarm output, SmartZoom to preset or IVA trigger (Ch5), Auto Track (Ch 5)
Audio In	Selectable(microphone in/line in) - PTZ(CH5) only Supply voltage: 2.5VDC(4mA), Input impedance: 2K Ohm
Audio Out	Line out, Maximum output level: 1Vrms - PTZ(CH5) only
Network	
Ethernet	Metal shielded RJ-45(10/100/1000BASE-T), 1000Base-T SFP port in HPoE Injector
Video Compression	H.265/H.264: Main/Baseline/High, MJPEG
Audio Compression	G.711 u-law /G.726 Selectable G.726(ADPCM) 8KHz, G.711 8KHz G.726: 16Kbps, 24Kbps, 32Kbps, 40Kbps AAC-LC: 48Kbps at 16KHz
Smart Codec	Manual(5ea area), WiseStream II
Bitrate Control	H.264/H.265: CBR or VBR MJPEG: VBR
Streaming	Unicast(20 users) / Multicast Multiple streaming(Up to 10 profiles)
Protocol	IPv4, IPv6, TCP/IP, UDP/IP, RTP(UDP), RTP(TCP), RTCP,RTSP, NTP, HTTP, HTTPS, SSL/TLS, DHCP, FTP, SMTP, ICMP, IGMP, SNMPv1/v2c/v3(MIB-2), ARP, DNS, DDNS, QoS, PIM-SM, UPnP, Bonjour, LLDP
Security	HTTPS(SSL) Login Authentication Digest Login Authentication IP Address Filtering User access log 802.1X Authentication(EAP-TLS, EAP-LEAP)
Application Programming Interface	ONVIF Profile S/T SUNAPI(HTTP API)
General	
Webpage Language	English, Korean, Chinese, French, Italian, Spanish, German, Japanese, Russian, Swedish, Portuguese, Czech, Polish, Turkish, Dutch, Hungarian, Greek
Edge Storage	Micro SD/SDHC/SDXC slots, maximum 256GB x 5 (each channel)
Memory	5GB RAM, 1280MB Flash
Environmental & Electrical	
Operating Temperature / Humidity	-40°C~+55°C(-40°F ~ +131°F) / Less than 90% RH

Storage Temperature / Humidity	-50°C +60°C (-58°F ~ +140°F) / Less than 90% RH
Certification	IP66, IK10
Input Voltage	HPoE (IEEE802.3bt, Class 8), injector included
Power Consumption	HPoE: Maximum 65W, Typical 34W

Mechanical

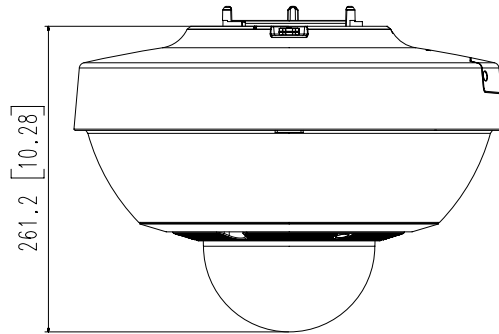
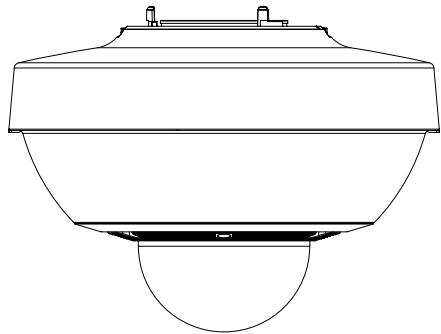
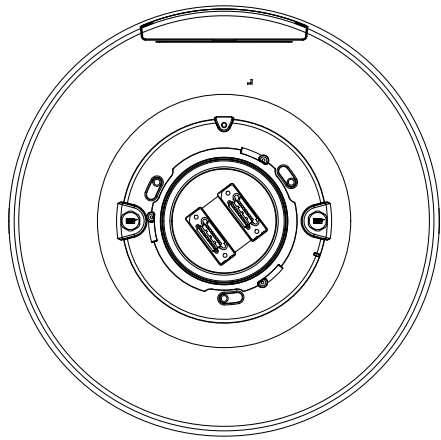
Color / Material	White / Aluminum
RAL Code	RAL9003
Product Dimensions / Weight	∅367.8x335.7mm (∅144.8"x132.2") / 7.05kg (15.54lb)

- The latest product information / specification can be found at hanwhasecurity.com
- Design and specifications are subject to change without notice.
- Wisenet is the proprietary brand of Hanwha Techwin, formerly known as Samsung Techwin.

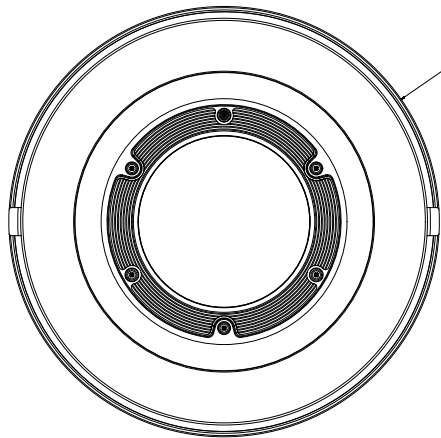
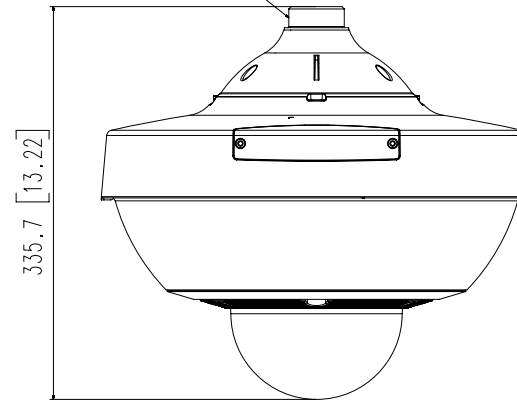
Compatible lenses

Video	SLA-2M1200P	SLA-2M6000P	SLA-2M3600P	SLA-2M2800P	SLA-2M2400P
Imaging Device	1/2.8" 2MP CMOS	1/2.8" 2MP CMOS	1/2.8" 2MP CMOS	1/2.8" 2MP CMOS	1/2.8" 2MP CMOS
Effective Pixels	1945(H)x1109(V)	1945(H)x1109(V)	1945(H)x1109(V)	1945(H)x1109(V)	1945(H)x1109(V)
Minimum Illumination	Color: 0.055Lux(F2.0, 1/30sec) B/W: 0.055Lux(F2.0, 1/30sec)	Color: 0.055Lux(F2.0, 1/30sec) B/W: 0.055Lux(F2.0, 1/30sec)	Color: 0.055Lux(F2.0, 1/30sec) B/W: 0.055Lux(F2.0, 1/30sec)	Color: 0.055Lux(F2.0, 1/30sec) B/W: 0.055Lux(F2.0, 1/30sec)	Color: 0.055Lux(F2.0, 1/30sec) B/W: 0.055Lux(F2.0, 1/30sec)
Lens					
Focal Length (Zoom Ratio)	12.0mm fixed focal	6.0mm fixed focal	3.6mm fixed focal	2.8mm fixed focal	2.4mm fixed focal
Maximum Aperture Ratio	F2.0	F2.0	F2.0	F2.0	F2.0
Angular Field of View	H: 26.3 ° V: 14.9 ° D: 30.0 °	H:50.4 ° , V:28.8 ° , D:58.1 °	H:94.8 ° , V:49.3 ° , D:114.3 °	H:107.4 ° , V:62.2 ° , D:122.0 °	H:135.4 ° , V:71.2 ° , D:161.6 °
Focus Control	Fixed	Fixed	Fixed	Fixed	Fixed
Pan / Tilt / Rotate					
Pan / Tilt / Rotate Range	-90 ° ~+90 ° / +10~+97 ° / - 180 ° ~+180 °	-90 ° ~+90 ° / +10~+95 ° / - 180 ° ~+180 °	-90 ° ~+90 ° / +22~+84 ° / - 180 ° ~+180 °	-90 ° ~+90 ° / +26~+80 ° / - 180 ° ~+180 °	-90 ° ~+90 ° / +52~+56 ° / - 180 ° ~+180 °
Mechanical					
Color / Material	Black / Plastic	Black / Plastic	Black / Plastic	Black / Plastic	Black / Plastic
Product dimensions / weight	∅35.5x35.9mm, 30g	∅35.5x35.9mm, 30g	∅35.5x35.9mm, 30g	∅35.5x35.9mm, 30g	∅35.5x35.9mm, 30g

- The latest product information / specification can be found at hanwhasecurity.com
- Design and specifications are subject to change without notice.
- Wisenet is the proprietary brand of Hanwha Techwin, formerly known as Samsung Techwin.



PF 1-1/2 inch TAP



Ø 367.8 [14.48]

3	파생 MODEL2	
2	파생 MODEL1	
1	BASIC MODEL	'20.10.22
No.	MODEL NAME	PNM-9322VQP
Unit:mm[inch]		SCALE:2/3
Hanwha Techwin		