



Datasheet: AX-SRG-10G

(OEM MS-T200G)

10Gbps Network Lightning/Surge Protector, POE compatible

Features

- 10 Gigabit Ethernet available
- CAT5e/CAT6/CAT6a compatible
- IEEE 802.3af/at/bt compliant
- Shielded RJ45 jack and metal housing for EMI noise suppression
- Cast aluminum construction
- Integrated mounting brackets
- DIN rail mount compatible
- UL 497B approved

Specification

1. Data Rate : 1G/10G bps
2. Each pair of lines Over-Current Protection , (1,2/3,6) & (4,5/7,8)
Over-Current Protection Turn-off point 2700 mA ~5400m
3. Nominal voltage operating DC voltage 56 V
4. Max. continuous operating DC voltage 58V
5. DC breakdown voltage 75V
6. Max. continuous DC voltage pair-pair (PoE) 58V
7. Nominal current 2.5A (each pair of lines)
8. Nominal discharge current line-line 17A (8/20 μ s)
9. Nominal discharge current line-FG 100A (10/1000 μ s,300times with 3mins interval)
10. Nominal discharge current line-FG 10KA (8/20 μ s,10 times with 3mins interval)
11. Voltage protection level line- FG Breakdown Voltage: 64V ~ 650V (for rising voltage 100V/s and 1000V/us)
12. Voltage protection level line- line Breakdown Voltage: 24V ~ 650V (for rising voltage 100V/s and 1000V/us)
13. Voltage protection level line-line for POE In Maximum Breakdown Voltage : 6V ~ 18.3V @IPP = 17A(8/20 μ s)
14. Capacitance line-line \leq 3 PF
15. Capacitance line-FG \leq 3 PF
16. Capacitance line-FG \leq 150 PF@(3-FG) , (4-FG)



SIKLU Communication Ltd.

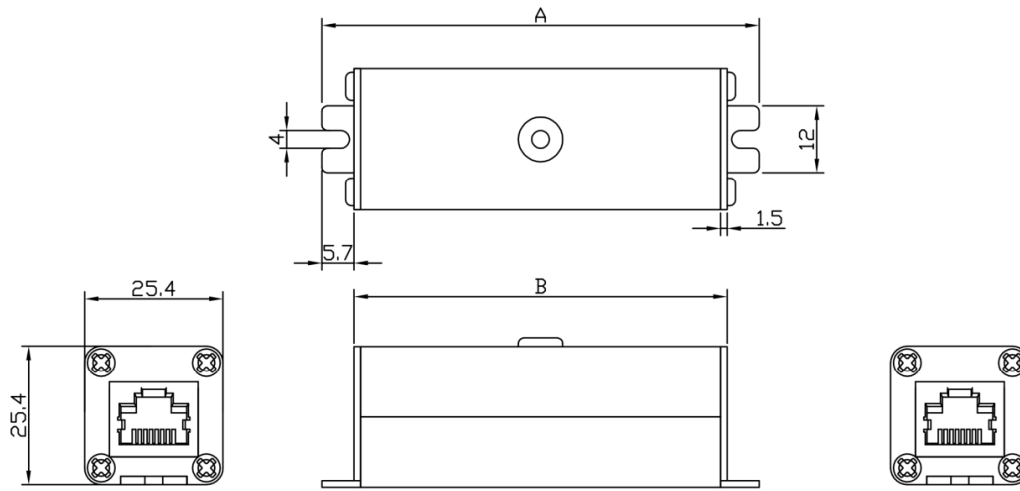
43 Hasivim St., Petah Tikva, 49517 Israel

Copyright © 2019 Siklu Communication Ltd. All Rights Reserved

Page 1 of 2



- 17. Operating temperature range -40°C to +90°C
- 18. Connection (input / output) RJ45 socket
- 19. Pinning 1 / 2, 3 / 6, 4 / 5, 7 / 8
- 20. Ground Lug Wire : 14AWG 275mm ± 5mm
- 21. Weight : 80g
- 22. Dimensions : 120*25.4*25.4(include bracket)



Ground Lug wire 14 AWG 275 mm +/- 5mm

A=120mm, B=108mm