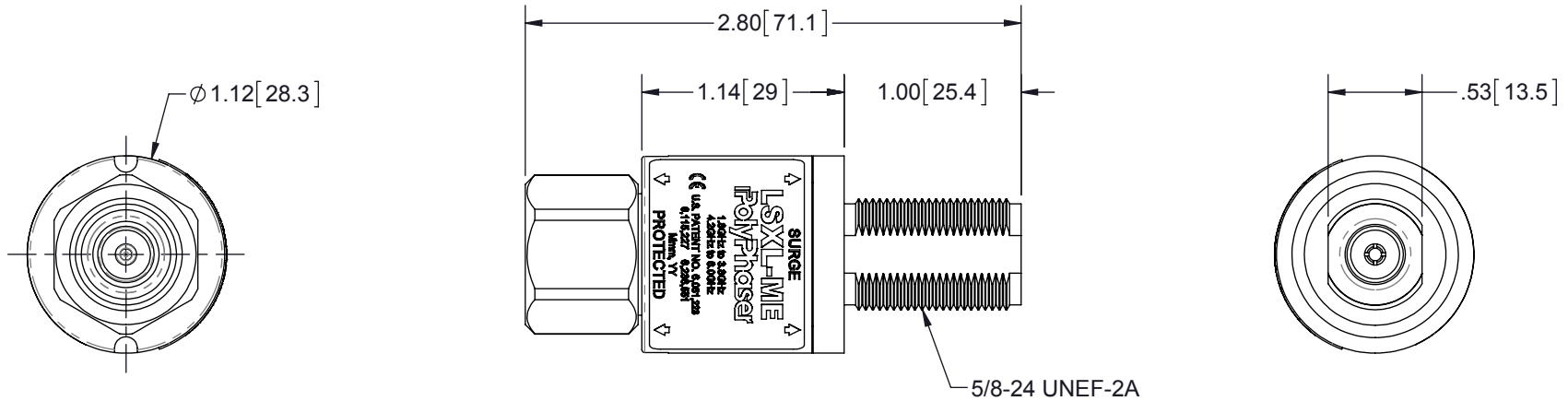


REVISIONS				
REV.	DESCRIPTION	ECN	DATE	APPROVED
F	REFER TO ECN	11951		
G	CHANGE IP65 TO IP67	11988	9/10/2013	JJ



MAXIMUM CHARACTERISTICS

APPLICATION:

DC BLOCK/RF ONLY
 BULKHEAD MOUNT
 WEATHERPROOF WHEN INSTALLED

SURGE:

18kA IEC 61000-4-5 8/20µs WAVEFORM

FREQUENCY RANGE:

1.8GHz TO 3.8GHz
 4.2GHz TO 6.0GHz

VSWR:

≤1.2:1 TYPICAL
 ≤1.3:1 MAX

INSERTION LOSS:

≤0.2dB

CONTINUOUS POWER:

10W

LET THROUGH VOLTAGE:

±3 VOLTS FOR 3kA @ 8/20µs WAVEFORM

THROUGHPUT ENERGY:

≤0.5µJ FOR 3kA @ 8/20µs WAVEFORM


TEMPERATURE:

-40°C TO +85°C STORAGE/OPERATING

VIBRATION:

1G AT 5Hz TO 100Hz

ENVIRONMENTAL:

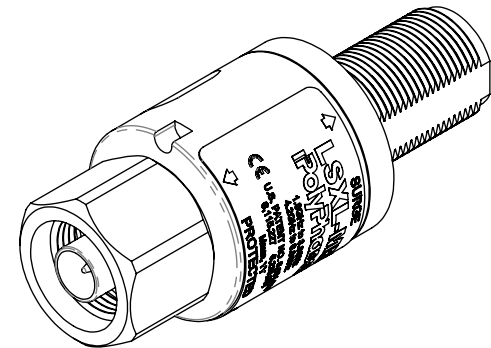
MEETS IEC 60529 IP67. 
 MEETS BELLCORE #TA-NWT-000487
 PROCEDURE 4.11, WIND DRIVEN (120MPH)
 RAIN INTRUSION TEST.

CE COMPLIANT

RoHS COMPLIANT

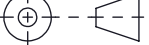

HARDWARE KIT INCLUDES:

QTY	DESCRIPTION
1	NUT 5/8-24 303 HEX SS
1	WASHER 5/8 410 SS
1	SILICONE O-RING 019



CUSTOMER APPROVAL: _____ DATE: _____

ALL DIMENSIONS SHOWN ARE FOR REFERENCE ONLY.

<small>UNLESS OTHERWISE SPECIFIED LEADING DIMENSIONS ARE INCHES DIMENSIONS IN [] ARE MILLIMETERS</small> <small>TOLERANCES: FRACTIONS=± 1/32 .XX=± .03 ANGLES=± 1° .XXX=± .010</small> <small>NOTICE: THE INFORMATION AND DESIGN IN THIS DOCUMENT IS THE PROPERTY OF POLYPHASER CORPORATION. ALL RIGHTS RESERVED.</small> <small>THIRD-ANGLE PROJECTION</small> 	<small>DRAWN</small> RJS <small>DATE</small> 12/8/03	 <small>TITLE</small> CELL FILT 2GHz-6GHz <small>CUSTOMER SPECIFICATION</small>	<small>SHEET</small> 1 OF 1 <small>SCALE</small> 1:1
	<small>ENG APPD</small> JLJ <small>DATE</small> 12/8/03		<small>PRODUCT MGR</small> LCJ <small>DATE</small> 12/18/03
	<small>MARKETING APPD</small> SJD <small>DATE</small> 12/18/03		<small>PROJECT NO.</small>
	<small>DOCUMENT NAME</small> LSXL-ME-C		<small>SIZE</small> A <small>CAGE</small> 61114 <small>PROD CAT</small> RFP <small>PART NUMBER</small> LSXL-ME <small>REV</small> G

THESE COMMODITIES, TECHNOLOGY OR SOFTWARE WERE EXPORTED FROM THE UNITED STATES IN ACCORDANCE WITH THE EXPORT ADMINISTRATION REGULATIONS. DIVERSION CONTRARY TO U.S. LAW PROHIBITED.