

**T-SERIES COMPACT OUTDOOR**


**T15**  
800 BTU/Hr.  
234 Watts

**T20**  
2000 BTU/Hr.  
586 Watts

**INDUSTRY STANDARDS**

UL/cUL Listed; Type 12, 3R, 4; 4X optional; File No. SA6453  
UR/cUR Recognized

UR/cUR Recognized on select models, reference performance data tables.

CE  
EAC  
Telcordia GR-487 capable

**APPLICATION**

- Industrial automation
- Telecommunications equipment
- Package handling equipment
- Security and defense systems
- And more

**FEATURES**

- Stock models equipped with head pressure control for low-ambient operation, compressor heater, coated condenser coil, malfunction switch, thermostat and heater package
- R134A earth-friendly refrigerant
- Models for 115, 230 and 460 VAC power input
- UL Listed to save customers time and money with agency approvals (some models UL recognized)
- Outdoor model operating temperature range from -40 F/-40 C to 131 F/55 C
- Exterior and fully recessed mounting options on many models
- Compact footprint to minimize real estate and maximize capacity
- Reliable mechanical thermostat on enclosure side of the unit
- Dual condenser-side air movers for performance redundancy

- Painted galvanized sheet-metal cover for rugged factory and outdoor environments
- Easy-mount flanges for simple installation
- Cleanable, reusable aluminum mesh filter protects coils for maximum cooling performance
- Mounting hardware, gaskets and user manual furnished with the unit
- Every unit functionally tested before shipping
- Standard Outdoor Air Conditioner models also include:
  - Telcordia GR-487 capable
  - Thermostat
  - Corrosion-resistant components
  - Malfunction switch
  - Compressor heater
  - Head pressure control
  - Enclosure heater

**FINISH**

- RAL 7035 light-gray, semi-textured powder-coat paint
- Other colors and textures available

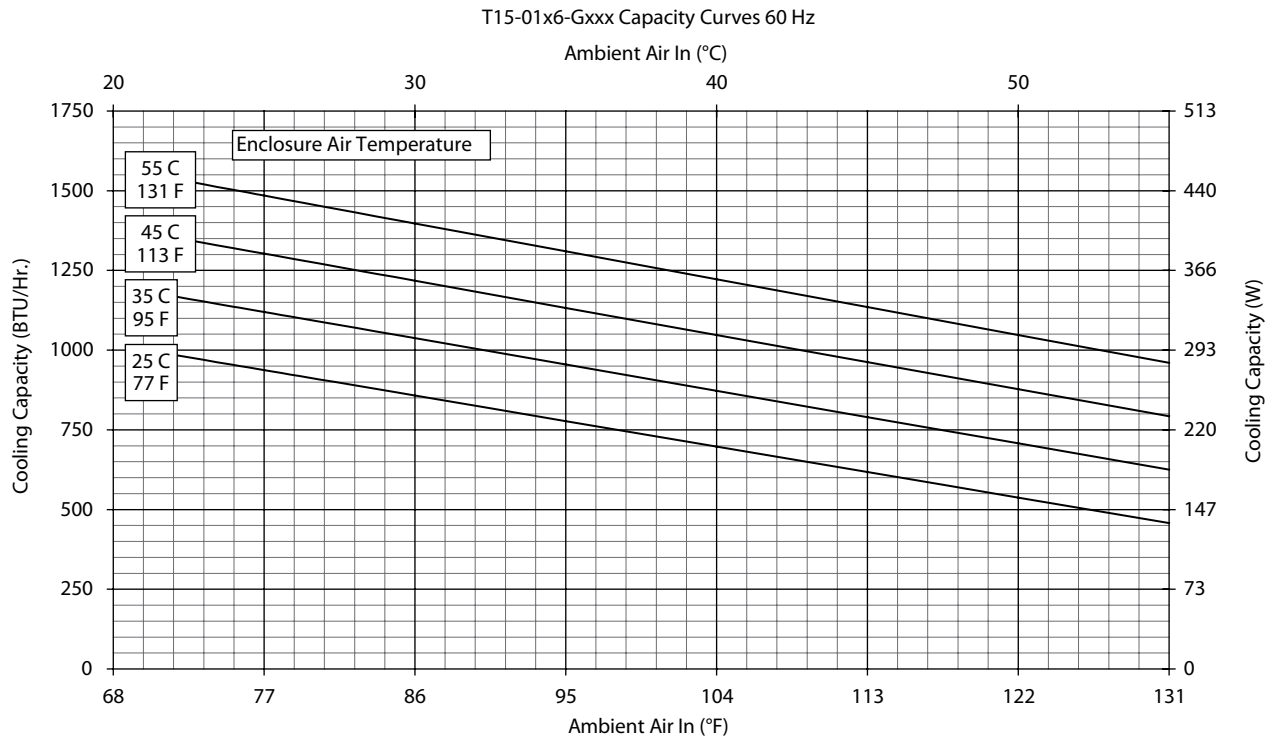
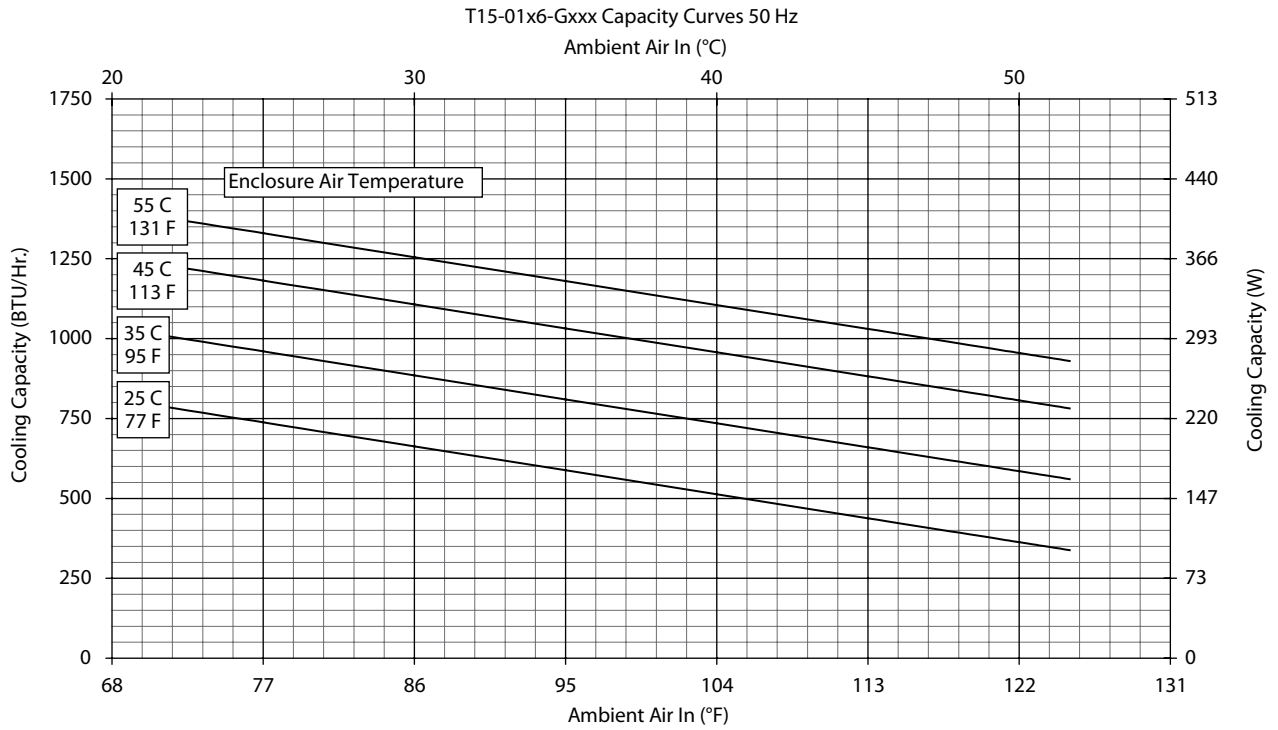
**OPTIONS**

- Thermostat Malfunction Package
- Special Voltage Package
- Outdoor Package
- Harsh Environment Package\*
- Stainless Steel Package\*
- Heater Package
  - \* PROAIR A/C may be more appropriate. Refer to PROAIR A/C Chapter. Consult the Factory for availability and catalog number.

Performance Data T15 800 BTU/Hr. (234 Watt) Models

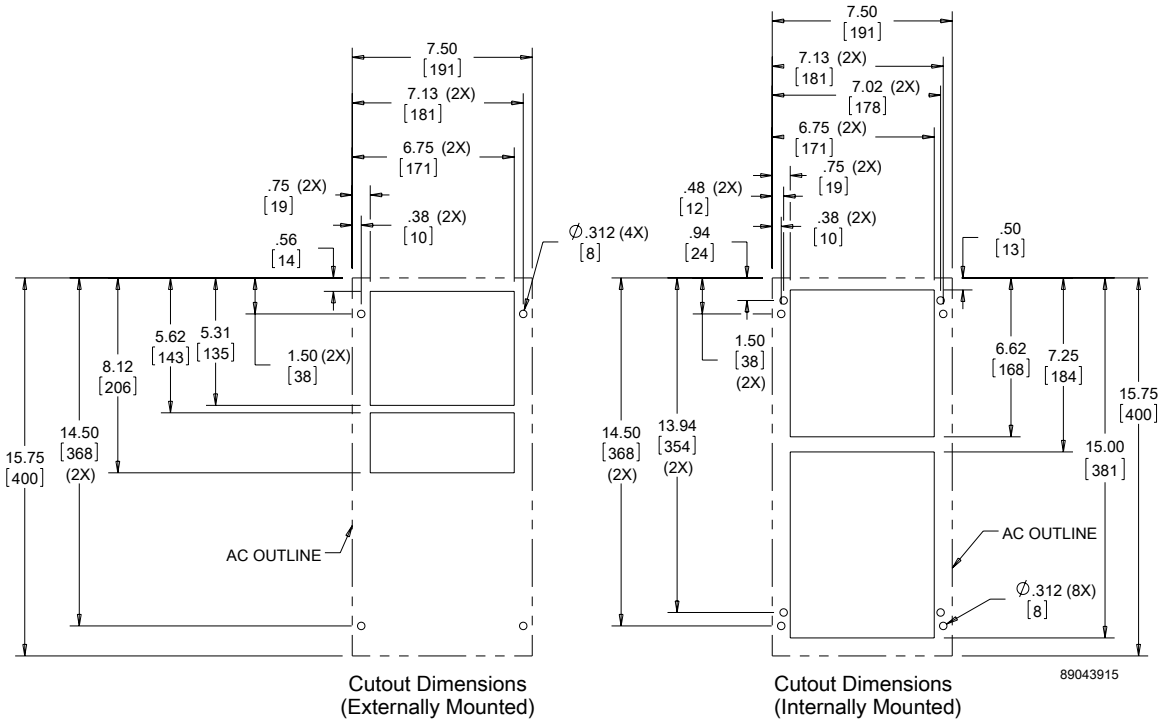
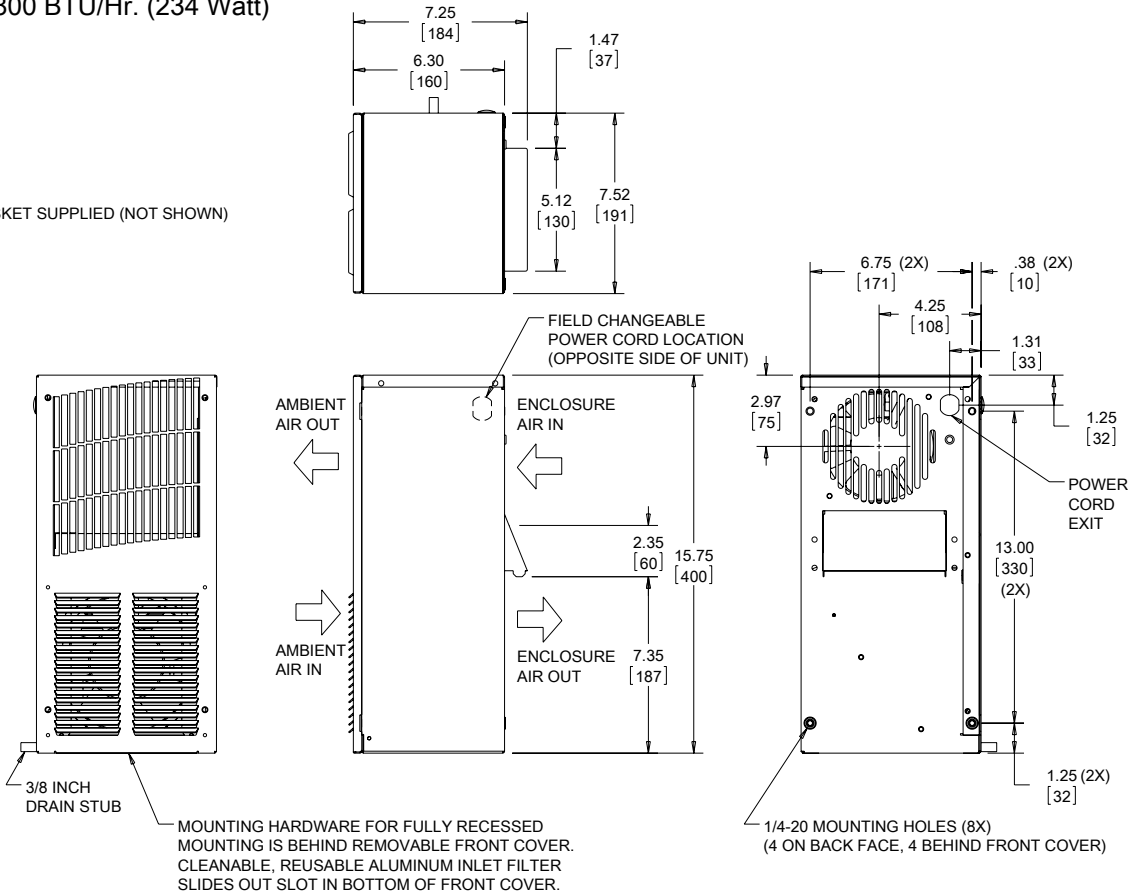
CATALOG NUMBER		
Indoor Model	T150116G120	T150126G120
Outdoor Model without Heat Pkg.	T150116G100	T150126G100
Outdoor Model with Heat Pkg.	T150116G150	T150126G150
Outdoor Model/SST/Corrosion/4X	T150116G152	T150126G104
Outdoor Model/SST/Corrosion/4X/Heater	T150116G151	-
COOLING PERFORMANCE		
<b>Nominal:</b>		
BTU/Hr.	800/800	800/900
Watts	235/235	235/264
At Maximum Operating Temperatures:		
BTU/Hr. (50/60 Hz)	819	920/960
W (50/60 Hz)	240	270/281
At 95 F/95 F (35 C/35 C):		
BTU/Hr. (50 /60 Hz)	948	810/955
W (50/60 Hz)	278	237/280
Refrigerant	R-134A	R-134A
Refrigerant Charge (ounces/grams)	4/113	3.8/107
Operating Temperature Range:		
Maximum (°F/°C)	125/131/52/55	125/131/52/55
Minimum (°F/°C)	-40/-40	-40/-40
Airflow at 0 Static Pressure:		
Internal loop 50 Hz (CFM / m <sup>3</sup> /hr.)	25/42	25/42
External loop 50 Hz (CFM / m <sup>3</sup> /hr.)	48/82	48/82
Internal loop 60 Hz (CFM / m <sup>3</sup> /hr.)	30/51	30/51
External loop 60 Hz (CFM / m <sup>3</sup> /hr.)	53/90	53/90
Max. Heater W (Outdoor Models)	150	150
ELECTRICAL DATA		
Rated Voltage	100/115	220/230
Frequency (Hz)	50/60	50/60
Operating Range	+/- 10%	+/- 10%
Max. Power Consumption (W at 50/60 Hz)	360/403	330/345
Max. Nominal Current (A at 50/60 Hz)	3.6/3.5	1.5/1.5
Starting Current (A)	8.0/9.2	3.3/3.1
Agency Approvals	UL/cUL Listed CE EAC Others available upon request	
Power Input Description	6-ft. cord with NEMA 5-15 plug	6-ft. cord with NEMA 6-15 plug
ENCLOSURE PROTECTION		
UL Type	Type 12, 3R, 4 standard Type 4X Stainless steel optional	
CONTROLLER		
Description	Basic mechanical thermostat	
Thermostat Location	Enclosure behind front panel	
Factory Thermostat Setting (°F/°C)	80/27	
SOUND LEVEL		
At 1.5 Meters	63 dB(A)	
UNIT CONSTRUCTION		
Material	Galvanized sheet metal standard Stainless steel optional	
Finish	RAL 7035 light-gray, semi-textured powder-coat paint standard	
UNIT DIMENSIONS		
Height (in./mm)	15.75/400	
Width (in./mm)	7.5/191	
Depth (in./mm)	6.3/160	
Weight (lb./kg)	27/12	

## Performance Curves for T15 Models 800 BTU/Hr. (234 Watt)



T15 Models 800 BTU/Hr. (234 Watt)

NOTE:  
 1. MOUNTING GASKET SUPPLIED (NOT SHOWN)  
 2. UNITS: in. [mm]

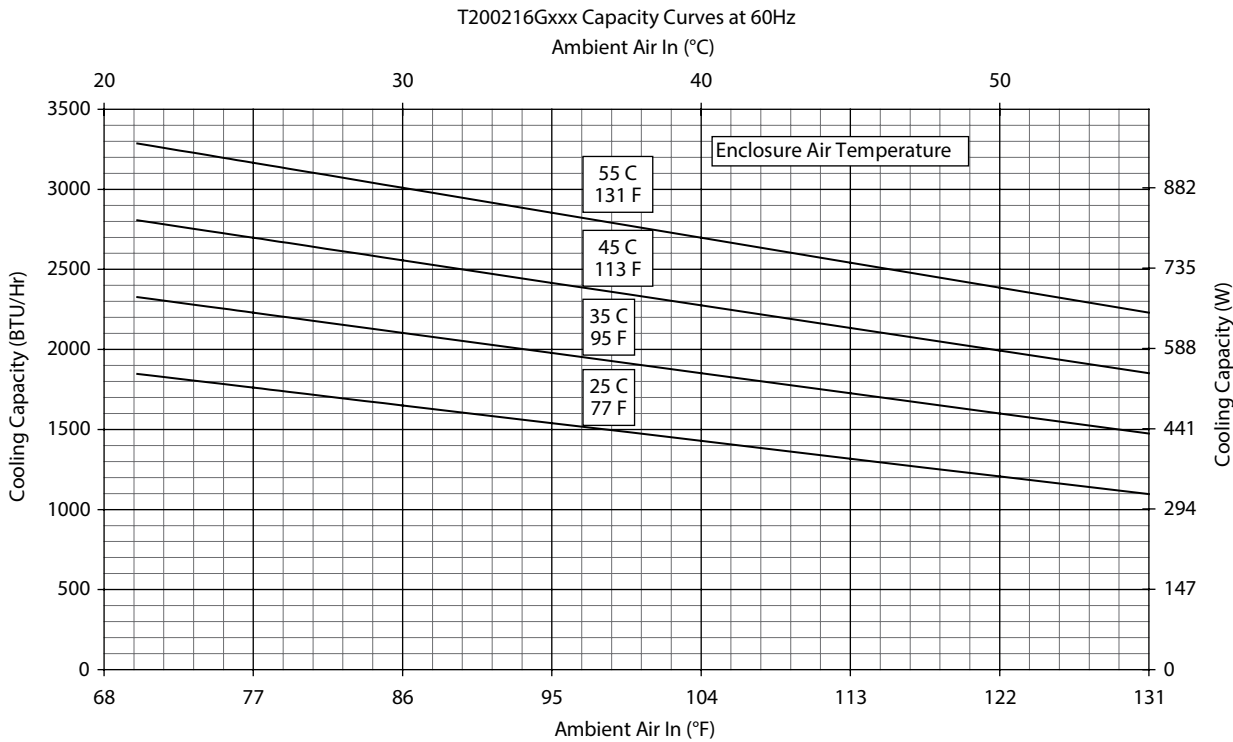
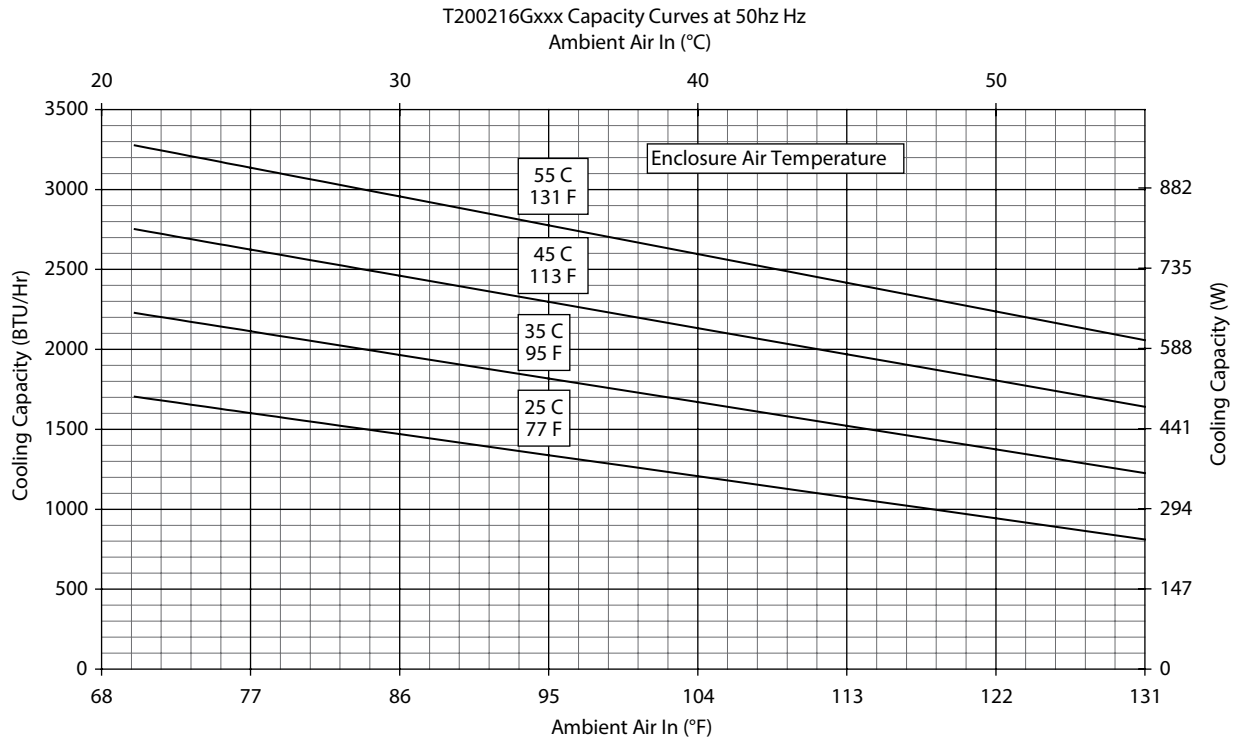


Visit [www.nVent.com/HOFFMAN](http://www.nVent.com/HOFFMAN) to download 2D and 3D CAD drawings into the overall design of your electrical system.

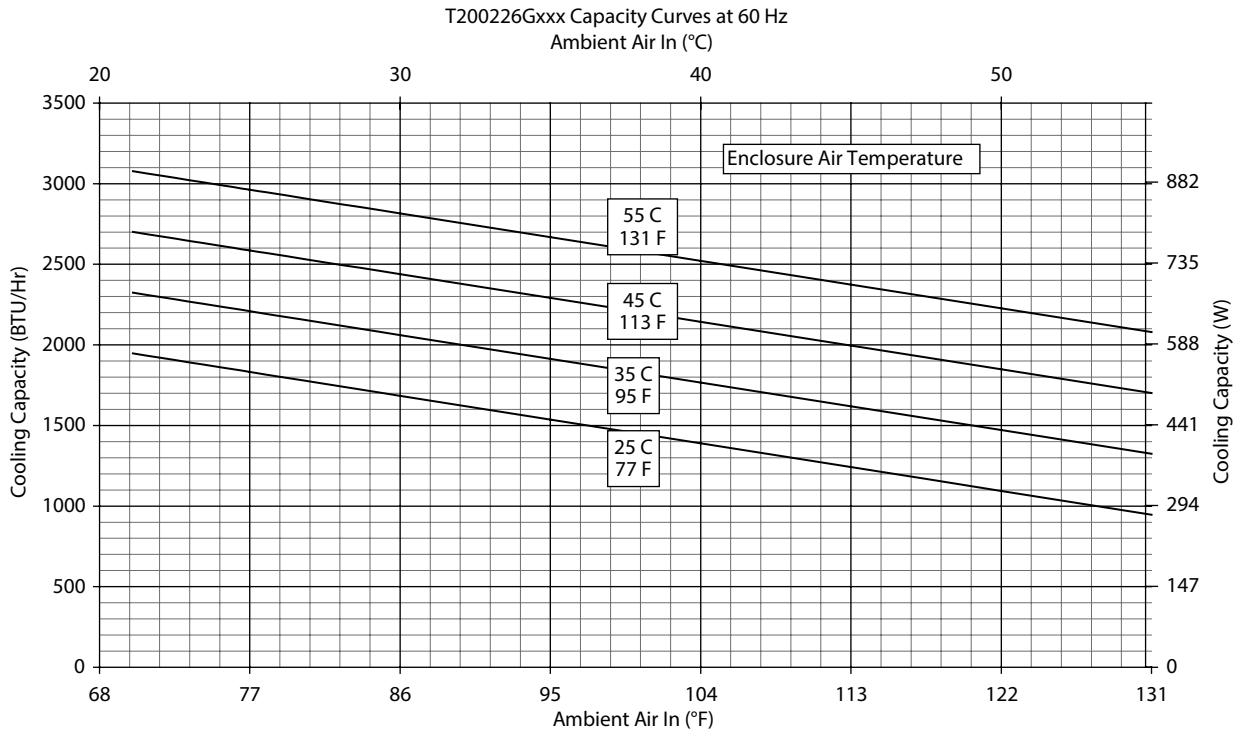
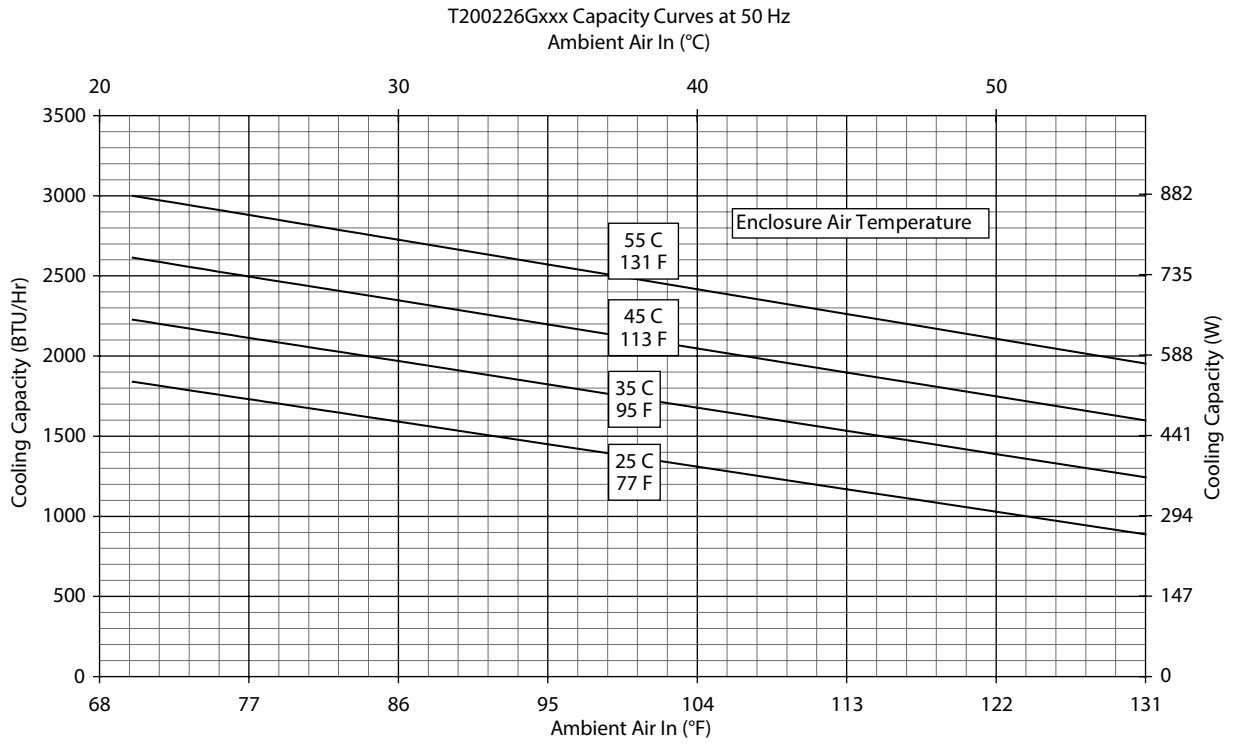
**Performance Data T20 2000 BTU/Hr. (586 Watt) Models**

<b>CATALOG NUMBER</b>			
Outdoor Model without Heat Pkg.	T200216G100	T200226G100	T200246G400
Outdoor Model with Heat Pkg.	T200216G150	T200226G150	—
Outdoor Model/SST/Corrosion/4X	T200216G155	T200226G103	T200246G401
Outdoor Model/SST/Corrosion/4X/Heater	T200216G157	T200226G158	—
<b>COOLING PERFORMANCE</b>			
<b>Nominal:</b>			
BTU/Hr.	1800/2000	1800/2000	1800/2000
Watts	528/586	528/586	528/586
At 131 F/131 F (55 C/55 C):			
BTU/Hr. (50/60 Hz)	2000/2175	2000/2175	2000/2175
W (50/60 Hz)	586/637	586/637	586/637
At 95 F/95 F (35 C/35 C):			
BTU/Hr. (50/60 Hz)	1800/1975	1800/1900	1800/1900
W (50/60 Hz)	571/645	571/645	571/645
Refrigerant	R-134A	R-134A	R-134A
Refrigerant Charge (ounces/grams)	6.5/184	6.5/184	6.5/184
<b>Operating Temperature Range:</b>			
Maximum (°F/°C)	131/55	131/55	131/55
Minimum (°F/°C)	-40/-40	-40/-40	-40/-40
<b>Airflow at 0 Static Pressure:</b>			
Internal loop 50 Hz (CFM / m <sup>3</sup> /hr.)	77/131	77/131	77/131
External loop 50 Hz (CFM / m <sup>3</sup> /hr.)	150/255	150/255	150/255
Internal loop 60 Hz (CFM / m <sup>3</sup> /hr.)	91/155	91/155	91/155
External loop 60 Hz (CFM / m <sup>3</sup> /hr.)	165/280	165/280	165/280
Max. Heater W (Outdoor Models)	500	500	500
<b>ELECTRICAL DATA</b>			
Rated Voltage	115	230	460V 1PH
Frequency (Hz)	50/60	50/60	50/60
Operating Range	+/- 10%	+/- 10%	+/- 10%
Max. Power Consumption (W at 50/60 Hz)	700/805	805	874
Max. Nominal Current (A at 50/60 Hz)	7.0/7.0	3.5/3.5	1.9
Starting Current (A)	19	7.6	7.2
Agency Approvals	UL/cUL Listed CE EAC Others available upon request		cUR Recognized CE EAC
Power Input Description	6-ft. cord with NEMA 5-15 plug	6-ft. cord with NEMA 6-15 plug	6-ft. cord with wire leads
<b>ENCLOSURE PROTECTION</b>			
UL Type	Type 12, 3R, 4 standard Type 4X Stainless steel optional		
<b>CONTROLLER</b>			
Description	Basic mechanical thermostat		
Thermostat Location	Enclosure side on all base models		
Factory Thermostat Setting (°F/°C)	80/27		
<b>SOUND LEVEL</b>			
At 1.5 Meters	66 dB(A)		
<b>UNIT CONSTRUCTION</b>			
Material	Galvanized sheet metal standard Stainless steel optional		
Finish	RAL 7035 light-gray, semi-textured powder-coat paint standard		
<b>UNIT DIMENSIONS</b>			
Height (in./mm)	20/508	20/508	24.25/615.95
Width (in./mm)	10/254	10/254	10/254
Depth (in./mm)	9.9/251	9.9/251	9.9/251
Weight (lb./kg)	56/25	56/25	66/30

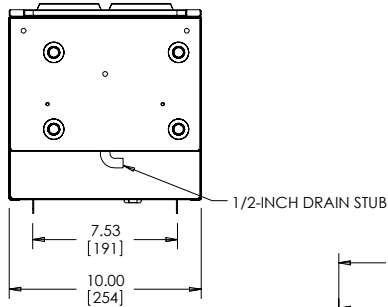
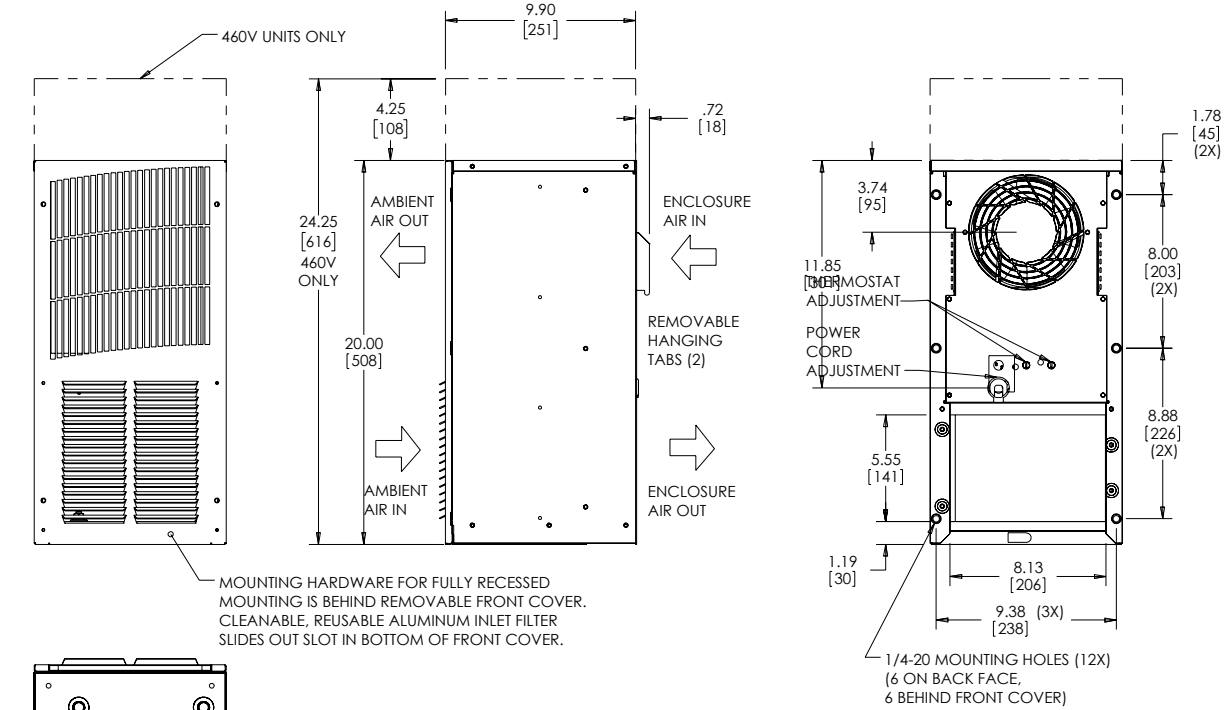
Performance Curves for T20 Models 2000 BTU/Hr. (586 Watt)



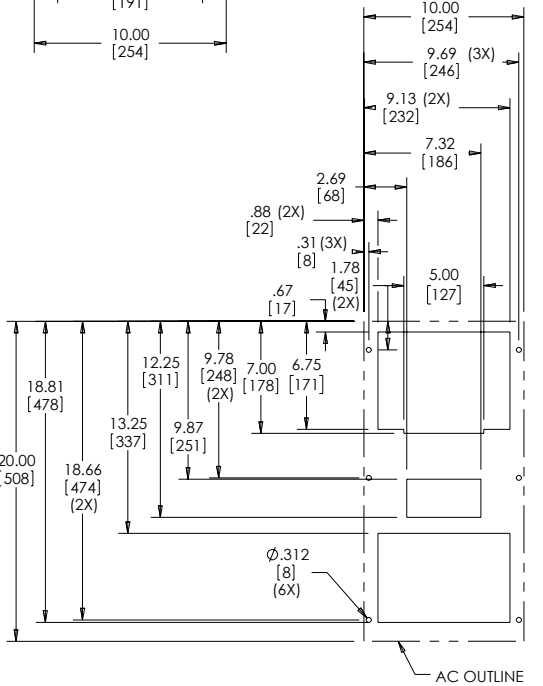
Performance Curves for T20 Models 2000 BTU/Hr. (586 Watt)



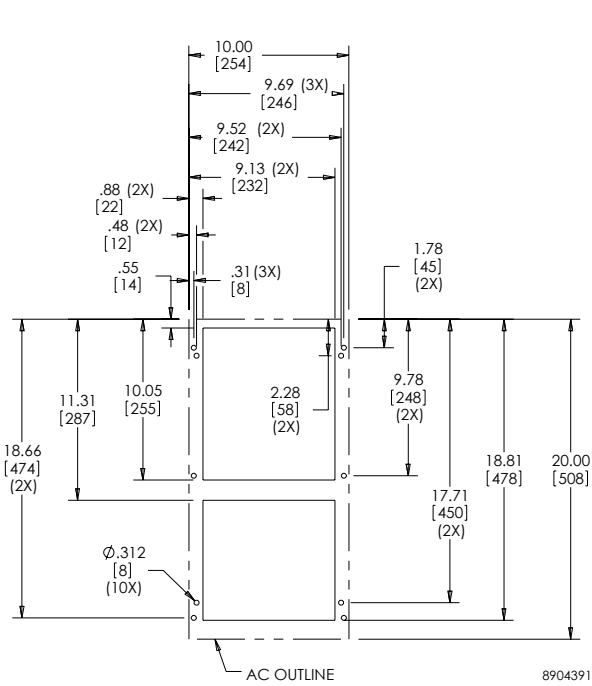
T20 Models 2000 BTU/Hr. (586 Watt)



NOTE:  
1. MOUNTING GASKET SUPPLIED (NOT SHOWN)  
2. UNITS: in. [mm]



Cutout Dimensions (Externally Mounted)



Cutout Dimensions (Internally Mounted)

89043916

Visit [www.nVent.com/HOFFMAN](http://www.nVent.com/HOFFMAN) to download 2D and 3D CAD drawings into the overall design of your electrical system.