

Mini-Com® DIN Shielded Rail Mount Adapter

specifications

Mini-Com® DIN Shielded Rail Mount Adapter shall be a single port adapter that shall mount to a 35mm DIN rail. Adapter shall include a label pocket, label and label cover. Mini-Com® DIN Shielded Rail Mount Adapter shall accept any single module space Mini-Com® Module.



technical information

Standards:	Adapter interfaces to EN 60715, EN 50022, TH 35-7.5 DIN rail
UL rating:	UL94V-0, UL1863 recognized
RoHS compliance:	Compliant
Mounting options:	Mounts to a standard 35mm DIN rail
Packaging:	One adapter per package, supplied with one label and label cover
Material:	Polycarbonate
Shield Material:	Phosphor Bronze

key features and benefits

Modular	Accepts all single Mini-Com® Modules, which snap in and out for easy moves, adds, and changes
Identification	Includes label pocket with label and cover to clearly identify the port for ease of identification, maintenance, and moves, adds, and changes
Low profile	Compact size enables high component density on valuable DIN rail real estate
Ease of Installation	No custom or specialized tools required for installation or removal
Shielded and Grounded	Shielded grounding bar component creates an electrical bond between shielded jack and ground

applications

Shielded DIN rail mount adapter allows any single module space Mini-Com® Module to securely mount to a standard 35mm DIN rail, providing an easy way to quickly move, add or change a connection, with no specialized tools required. It is ideal for any environment where

DIN rails are located. Shielded cable is routed into a zone enclosure or control panel where the cable is terminated into a shielded jack that is mounted into the shielded DIN rail adapter; patch cords then connect the active equipment.

DIN Shielded Rail Mount Adapter

Adapter: CADIN1IG*-S

Label Options

**Panther™ LS8E and
Cougar™ LS9:** UILS8BW

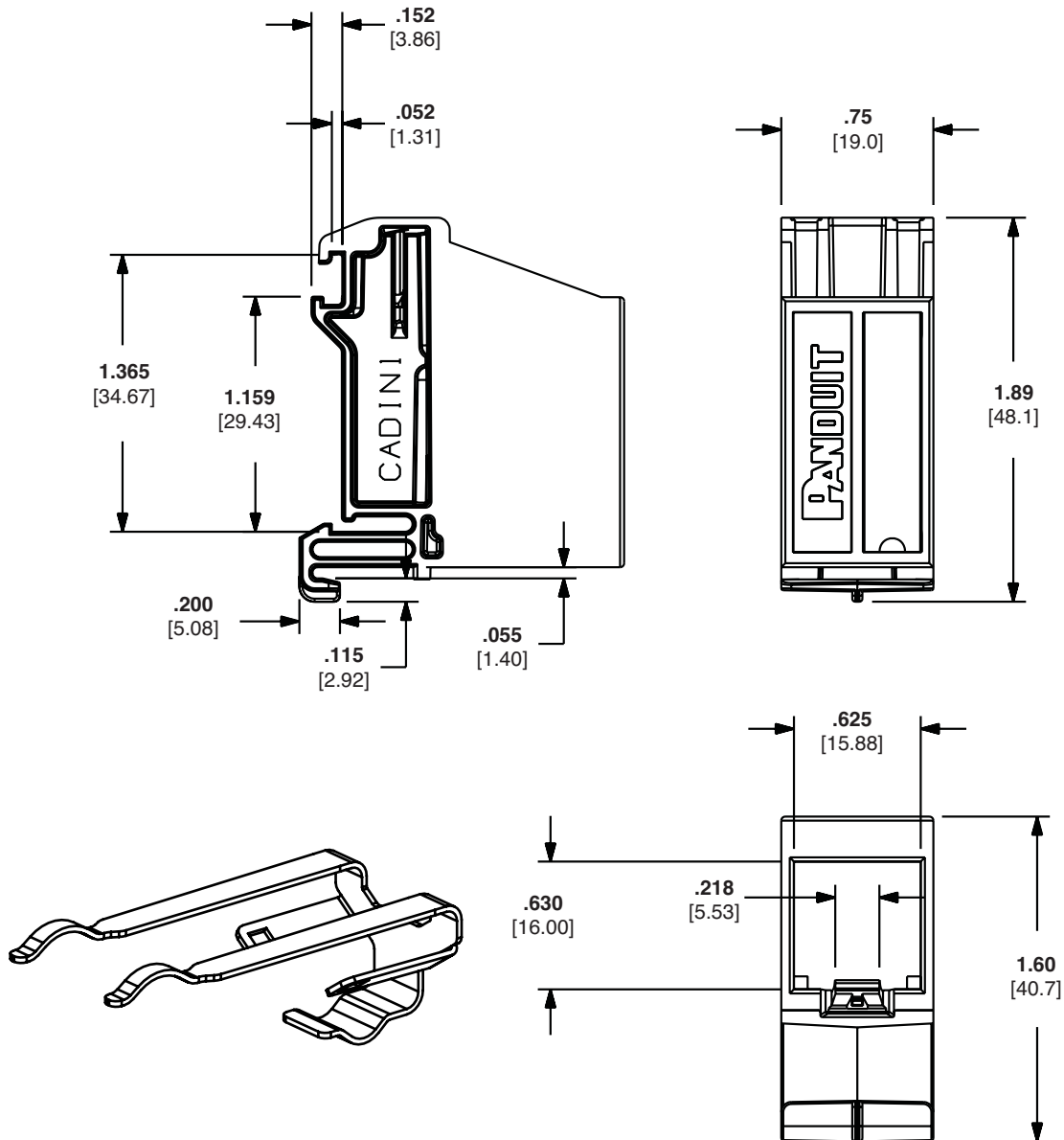
Mini-Com® Modules

Visit www.panduit.com or contact customer service for a complete line of compatible Mini-Com® Modules for copper, fiber, and audio/video applications.

*For standard colors other than IG (International Gray), replace suffix with BL (Black).

Mini-Com® DIN Shielded Rail Mount Adapter

dimensions



Dimensions are in inches. [Dimensions in brackets are metric].

WORLDWIDE SUBSIDIARIES AND SALES OFFICES

PANDUIT US/CANADA
Phone: 800.777.3300

PANDUIT EUROPE LTD.
London, UK
Phone: 44.20.8601.7200

PANDUIT SINGAPORE PTE. LTD.
Republic of Singapore
Phone: 65.6305.7575

PANDUIT JAPAN
Tokyo, Japan
Phone: 81.3.6863.6000

PANDUIT LATIN AMERICA
Guadalajara, Mexico
Phone: 52.33.3777.6000

PANDUIT AUSTRALIA PTY. LTD.
Victoria, Australia
Phone: 61.3.9794.9020

For a copy of Panduit product warranties, log on to www.panduit.com/warranty

For more information

Visit us at www.panduit.com

Contact Customer Service by email: cs@panduit.com
or by phone: 800.777.3300

PANDUIT®

© 2019 Panduit Corp.
ALL RIGHTS RESERVED.
OTSP59--WW-ENG
10/2019