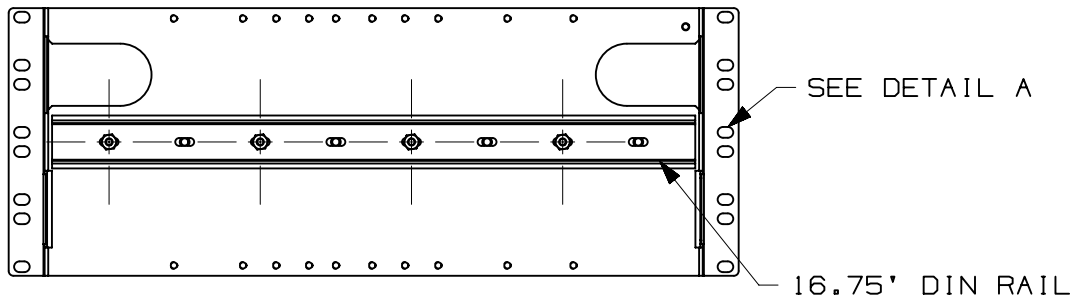
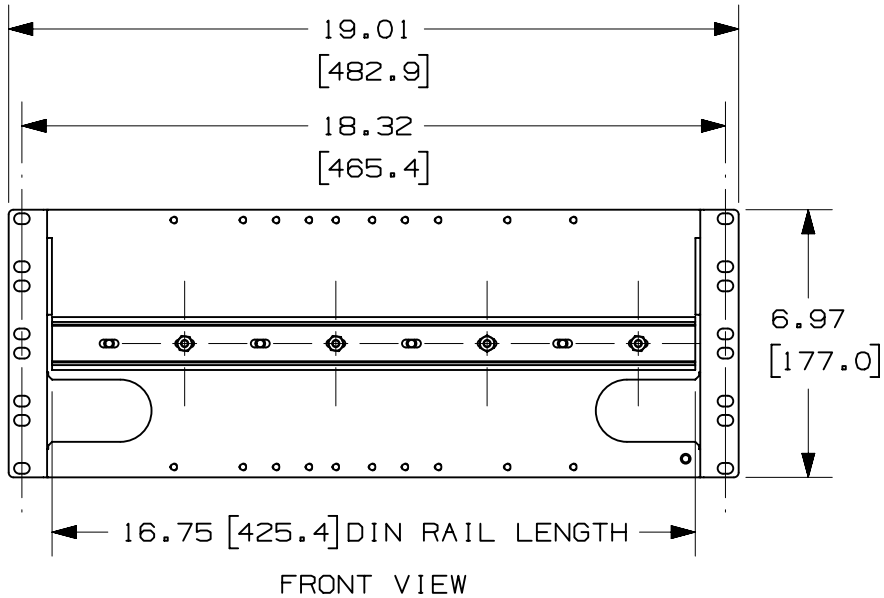


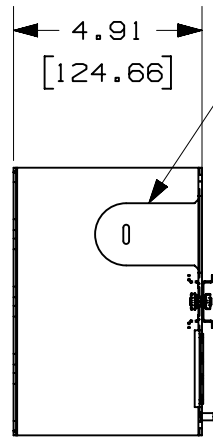
THIS COPY IS PROVIDED ON A RESTRICTED BASIS AND IS NOT TO BE USED IN ANY WAY DETRIMENTAL TO THE INTERESTS OF PANDUIT CORP.



REAR VIEW

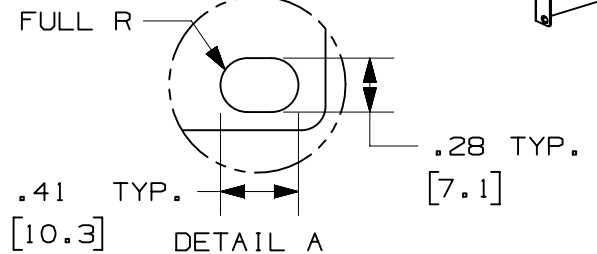


FRONT VIEW



SIDE VIEW

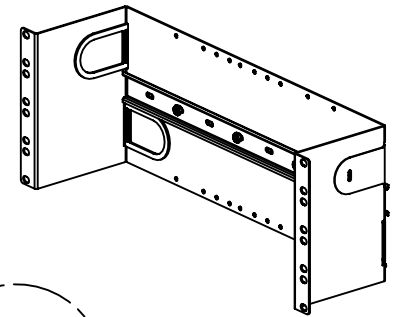
KNOCKOUTS FOR PASS THROUGH GROMMETS, 4 LOCATIONS



PANDUIT P/N	WEIGHT
IABDIN4	4.2 LBS 1.9 kg

NOTES:

- VISIT OUR ON-LINE CATALOG AT WWW.PANDUIT.COM FOR A CURRENT LIST OF PRODUCTS APPLICABLE FOR USE WITH THIS PART.
- COMPONENTS:
 1 - 19" x 4 RU EIA RACK PANEL
 2 - 35mm x 7.5mm DIN RAIL
 2 - CABLE PASS THROUGH GROMMETS
 1 - BAG OF (4) #12-24 MOUNT SCREWS
- DIMENSIONS IN PARENTHESES ARE IN METRIC.

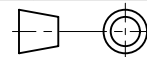


TITLE
19" x 4RU DIN RAIL PANEL IABDIN4 WITH TWO 16.75" DIN RAILS

CUSTOMER DRAWING

ITEM REVISION NAME
 00157NZZ/00

DATASET FILE NAME
 00157NZZ_DC_00B



THIRD ANGLE PROJECTION



MATERIAL

DRAWING NUMBER
00157NZZ

00B	8/26/21	JBO	EHA	JEFK	SEE ECN FOR DETAILS	00157NZZ
-----	---------	-----	-----	------	---------------------	----------

REV	DATE	BY	CHK	APR	DESCRIPTION	ECN

DRAWN BY	DATE	CHK	SCALE
MGH	1/25/18	EHA	1:5

SHEET 1 OF 1	SIZE A
--------------	-----------

A-SIZE CUSTOMER