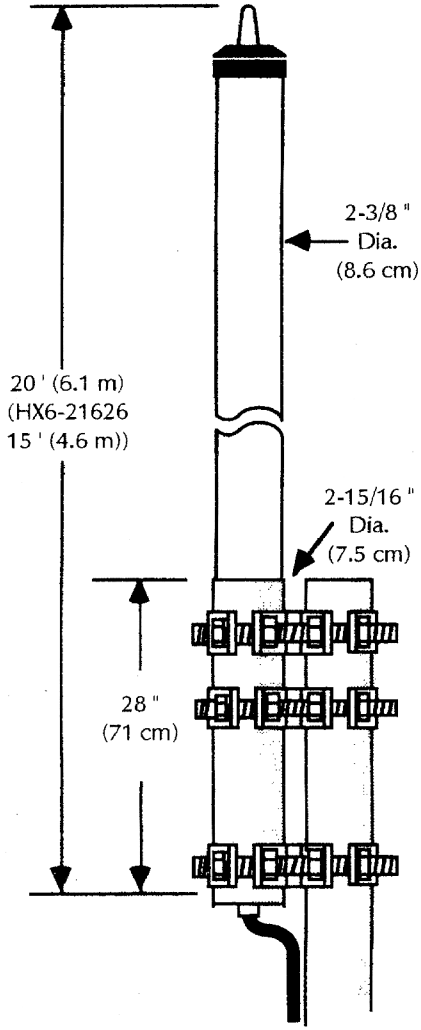




# EXTREME ENVIRONMENT 6 dBd GAIN OMNIDIRECTIONAL BROAD BANDWIDTH FIBERGLASS ANTENNA

VHF/150/226 MHz./EXTREME DUTY SERIES



MODEL NUMBER	HX6-15060 (150-160 MHz.) HX6-16070 (160-170 MHz.) HX6-21626 (216-226 MHz.)
FREQUENCY RANGE	150-170 MHz., 216-226 MHz.
GAIN	6 dBd (8.15 dBi)
BANDWIDTH	10 MHz.
V.S.W.R.	1.5:1
POLARIZATION	Vertical
POWER RATING	700 Watts Maximum
TERMINATION	Type N Female
VERTICAL APERTURE (3 dB from max)	16 Degrees
HORIZONTAL APERTURE	Omni
WEIGHT	28 lbs. (12.7 kg.)
WIND LOAD (lateral thrust @ 100 mph)	105 lbs. (466 N)
WIND AREA (flat plate equiv.)	2.2 ft. <sup>2</sup> (.20 m <sup>2</sup> )
MAXIMUM WIND SPEED	150 mph. (241 kph.)
MATERIAL	Feed lines: Copper Radiators: Brass Radome: White
COLOR	
MOUNTING (top or side mount)	Mounting Clamps: Galvanized steel (3 sets) Clamps permit mounting the antenna to a support pipe up to 3" O.D.
LIGHTNING PROTECTION	Direct Ground
ACCESSORIES	Reflector Tube (adds 3 dB directional) and Side Mount Kit optional

## Radiation Patterns (Relative Field Strength)

