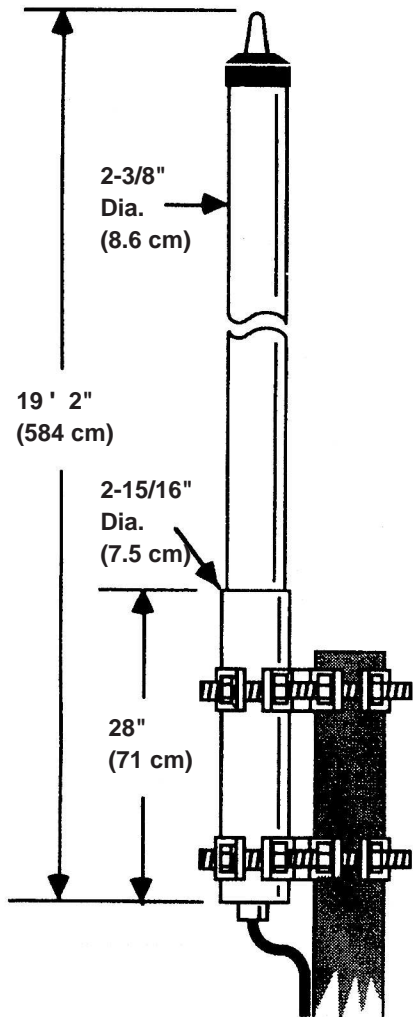




VHF OMNIDIRECTIONAL BROAD BANDWIDTH FIBERGLASS ANTENNA



MODEL NUMBER

HX6-16070es

FREQUENCY RANGE

164 - 174 MHz.

GAIN

6 dBd

BANDWIDTH

10 MHz.

V.S.W.R.

1.5:1

POLARIZATION

VERTICAL

POWER RATING

600 Watts Maximun

TERMINATION

Type N Female

VERTICAL APERTURE

16 Degress

(3 dB from max)

HORIZONTAL APERTURE

Omni

WEIGHT

29 lbs

WIND AREA (flat plate equiv.)

4.6 ft sq

MAXIMUM WIND SPEED

150 mph. (241 kph.)

MATERIAL

Feed Lines: Copper

Radiators: Copper

Radome: White

COLOR

MOUNTING

(top or side mount)

Mounting Clamps: Galvanized steel

Clamps permit mounting the antenna

to a support pipe up to 3.25" O.D.

LIGHTNING PROTECTION

Direct Ground

ACCESSORIES

Reflector Tube (adds 3 dB directional)

and Side Mount Kit optional

Radiation Patterns (Relative Field Strength)

