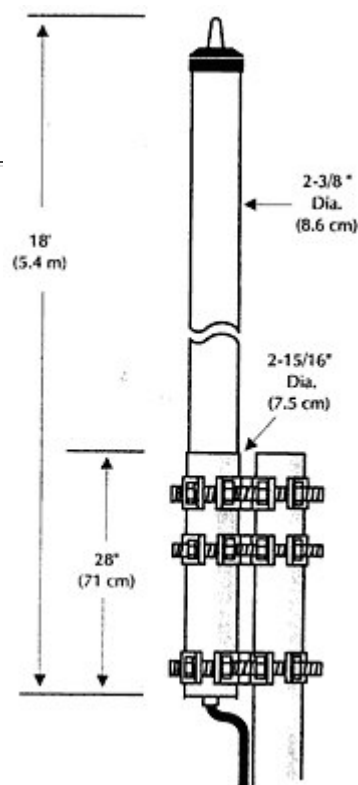


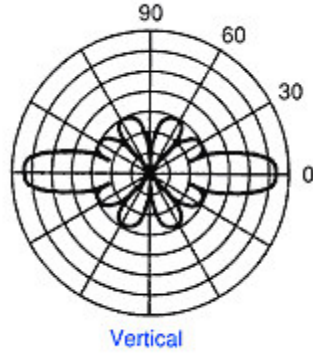
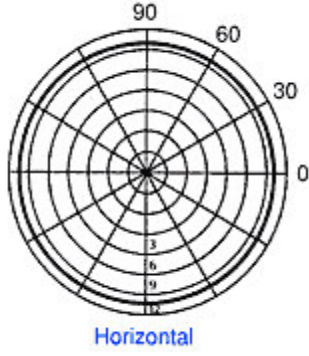
## EXTREME ENVIRONMENT UHF 10 dBd GAIN Omni Directional Fiberglass Antenna

### Model Number

- **HX10-40630** (406-430 MHz.)
- **HX10-43050** (430-450 MHz.)
- **HX10-45070** (450-470 MHz.)
- **HX10-47090** (470-490 MHz.)
- **HX10-49051** (490-512 MHz.)
  - **Frequency Range:** 406-512 MHz.
  - **Gain:** 10 dBd (12.15 dBi)
  - **Bandwidth:** 20 MHz.
  - **V.S.W.R.:** 1.5:1
  - **Polarization:** Vertical
  - **Power Rating:** 700 Watts Maximum Continuous
  - **Termination:** Type N Female or 7/16
  - **Vertical Aperture**  
(3 dB from max): 6 Degrees
  - **Weight:** 27 lb. (12.2 kg.)
  - **Wind Load**  
(Lateral thrust @ 100 mph): 100 lb. (444 N)
  - **Wind Area**  
(flat plate equivalent): 2.1 sq. ft. (0.19 sq.m.)
  - **Maximum Wind Speed:** 160 mph (257 kph.)
  - **Material:**
    - Feed Lines: Copper
    - Radiators: Copper
  - **Color:** Radome White
  - **Mounting**  
(top or side mount): Galvanized steel mounting clamps (3 sets) permit mounting the antenna to a support pipe up to 3.0" O.D.
  - **Lightning Protection:** Direct Ground
  - **Accessories:** Reflector Tube (adds 3 dBb directional) and Side Mount Kit optional.



**Radiation Patterns (Relative Field Strength)**



**Typical V.S.W.R.**

