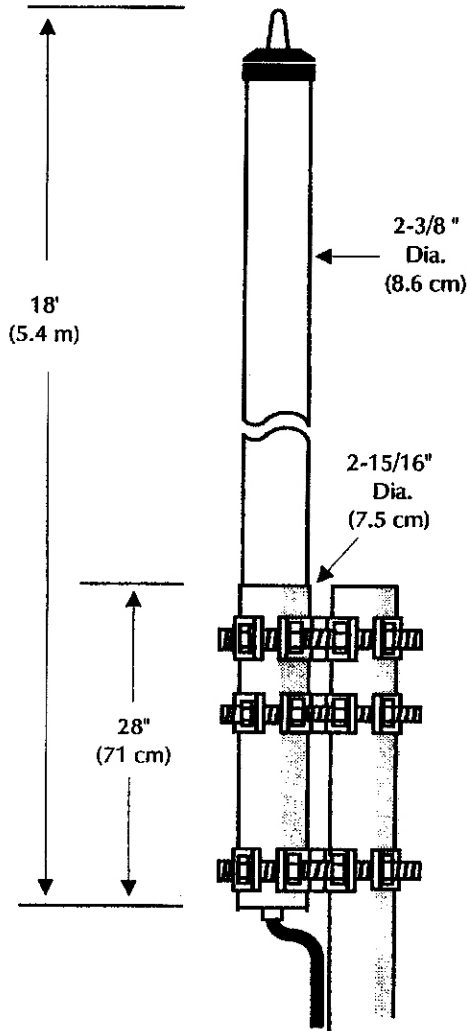


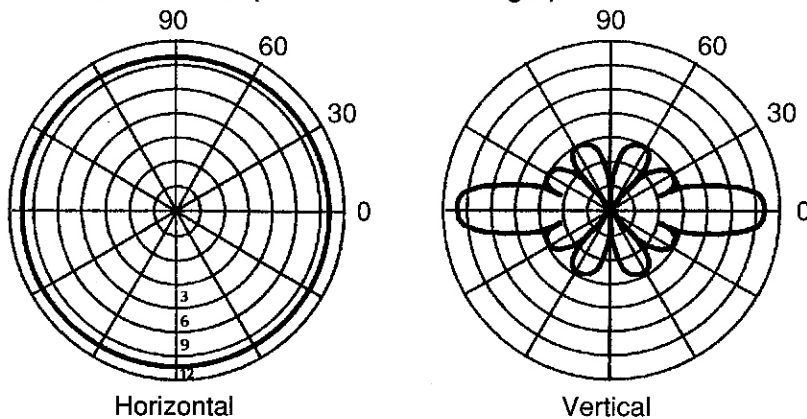


EXTREME ENVIRONMENT UHF 10 dBd GAIN OMNIDIRECTIONAL FIBERGLASS ANTENNA



MODEL NUMBER	HX10-40630 (406-430 MHz.) HX10-43050 (430-450 MHz.) HX10-45070 (450-470 MHz.) HX10-47090 (470-490 MHz.) HX10-49051 (490-512 MHz.)
FREQUENCY RANGE	406-512 MHz.
GAIN	10 dBd (12.15 dBi)
BANDWIDTH	Varies with model (see above)
V.S.W.R.	1.5:1
POLARIZATION	Vertical
POWER RATING	700 Watts Maximum
TERMINATION	Type N Female or 7/16
VERTICAL APERTURE (3 dB from max)	Vertical 6 Degrees
HORIZONTAL APERTURE	Omni
WEIGHT	27 lbs. (12.2 kg.)
WIND LOAD (lateral thrust @ 100 mph)	100 lbs. (444 N)
WIND AREA (flat plate equiv.)	2.1 ft. ² (.19 m ²)
MAXIMUM WIND SPEED	160 mph. (257 kph.)
MATERIAL	Feed lines: Copper Radiators: Copper Radome: White Fiberglass
COLOR	
MOUNTING (top or side mount)	Mounting Clamps: Galvanized steel mounting clamps permit mounting the antenna to a support pipe up to 3" O.D.
LIGHTNING PROTECTION	Direct Ground
ACCESSORIES	Reflector Tube (adds 3 dB directional) and Side Mount Kit optional

Radiation Patterns (Relative Field Strength)



Typical V.S.W.R.

