



# SERVICE MANUAL

MICROPHONE

# HM-180

---

---

---

---

---

S-14812XZ-C1  
Jan. 2012

Icom Inc.

---

---

## INTRODUCTION

---

This service manual describes the latest technical information for the **HM-180** MICROPHONE at the time of publication.

MODEL	VERSION
HM-180	EXP
	EXP-01

To upgrade quality, any electrical or mechanical parts and internal circuits are subject to change without notice or obligation.



---

## ORDERING PARTS

---

Be sure to include the following four points when ordering replacement parts:

1. 10-digit Icom part number
2. Component name
3. Equipment model name and unit name
4. Quantity required

### <ORDER EXAMPLE>

8210024340	3116 FRONT PANEL	HM-180	CHASSIS	3 pieces
8930074950	3116 T-MIC SHEET	HM-180	CHASSIS	2 pieces

Addresses are provided on the inside back cover for your convenience.

---

## REPAIR NOTES

---

1. Make sure that the problem is internal before dis-assembling the microphone.
2. **DO NOT** force any of the variable components. Turn them slowly and smoothly.
3. **DO NOT** short any circuits or electronic parts. An insulated tuning tool **MUST** be used for all adjustments.

---

## TABLE OF CONTENTS

---

SECTION	1	SPECIFICATIONS
SECTION	2	MECHANICAL PARTS
SECTION	3	BOARD LAYOUTS
SECTION	4	SCHEMATIC DIAGRAM

## ■ GENERAL

- Operating temperature range : -30°C to +60°C; -22°F to +140°F
- Dimensions (Projections not included) : 62.5(W)×92.1(H)×47.5(D) mm; 2.5(W)×3.6(H)×1.9(D) in
- Weight (approximately) : 265 g; 9.3 oz
- Microphone impedance : 600 Ω

All stated specifications are subject to change without notice or obligation.

**SECTION 2****MECHANICAL PARTS****[CHASSIS PARTS]**

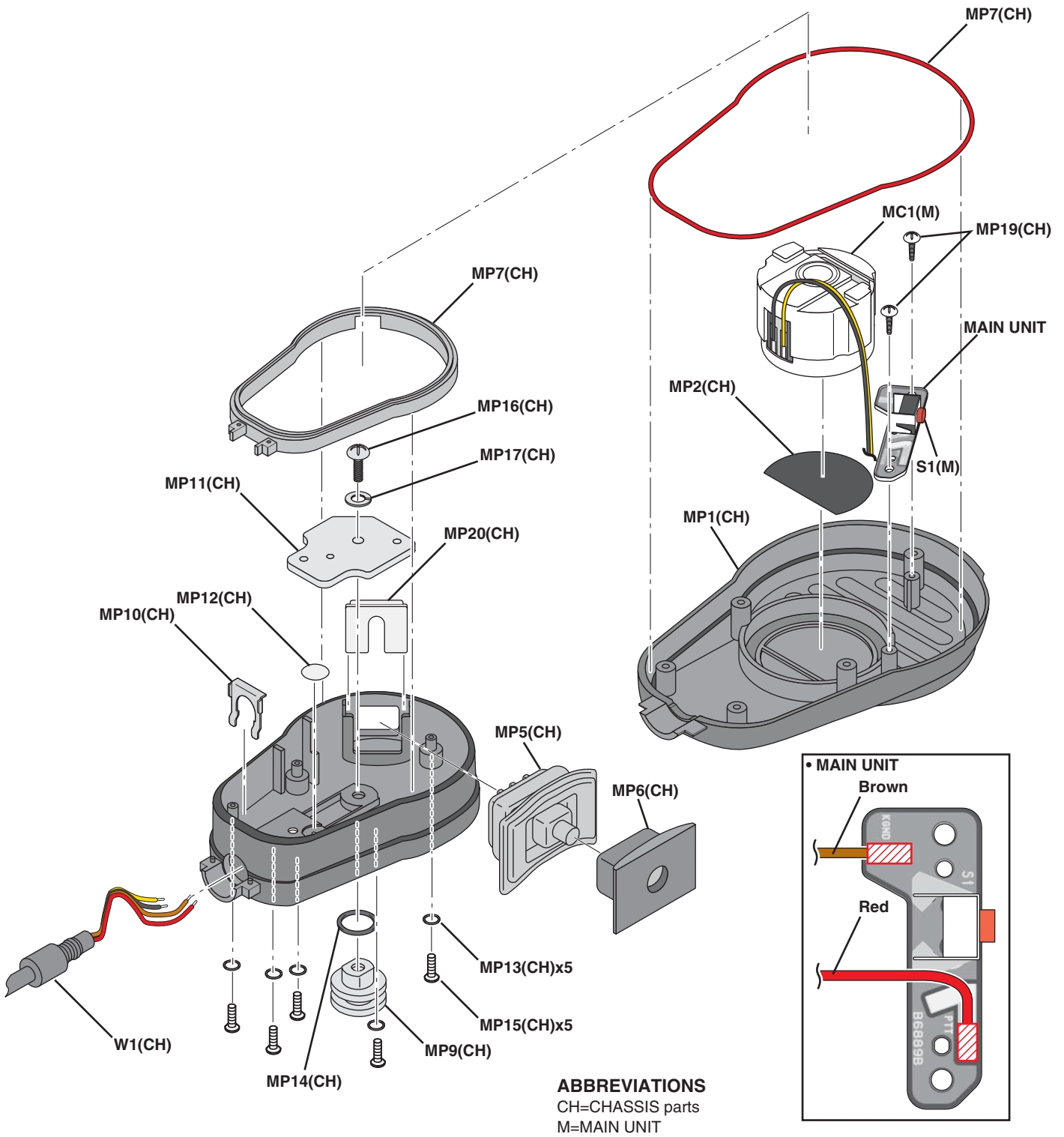
REF NO.	ORDER NO.	DESCRIPTION	QTY.
W1	8900017420	OPC-1854	1
MP1	8210024340	3116 FRONT PANEL	1
MP2	8930074950	3116 T-MIC SHEET	1
MP3	8930074480	3116 MIC RUBBER	1
MP4	8210020120	2715 REAR PANEL BLACK	1
MP5	8930060920	2715 PTT RUBBER	1
MP6	8930061970	2715 A-PTT HOLDER	1
MP7	8930060940	2715 RUBBER	1
MP8	8930060930	2715 MAIN SEAL	1
MP9	8610011600	2715 HANGER KNOB	1
MP10	8930060951	2715 BUSH PLATE-1	1
MP11	8930064510	2352 A-R-PLATE	1
MP12	8930060990	2715 MIC SHEET	1
MP13	8930060960	O-RING (AY)	1
MP14	8930060970	O-RING (AZ)	1
MP15	8820001260	2715 SCREW 2.6X18 SUS	5
MP16	8810010310	BIND SCREW M4X10 ZK	5
MP17	8850002000	SPRING WASHER M4 SUS	1
MP19	8810010240	PH BT M2 X 6 NI	2
MP20	8930061700	2715 PTT PLATE	1
MP21	8930074890	3116 TOP SHEET	1
MP22	8930074900	3116 SIDE SHEET	1

**[MAIN UNIT]**

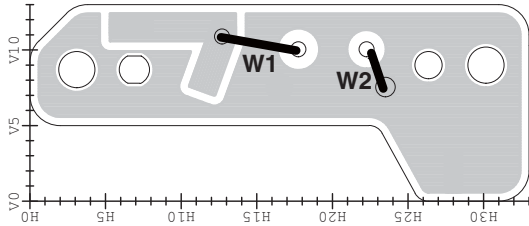
REF NO.	ORDER NO.	DESCRIPTION	QTY.
MC1	7700002650	D-06N2	1
S1	2260002780	SKHHLPA010	1
*W1	9027150010	71/98/010/X98/X98	1
*W2	9027150010	71/98/010/X98/X98	1

\*: Refer to "BOARD LAYOUTS" for the location.

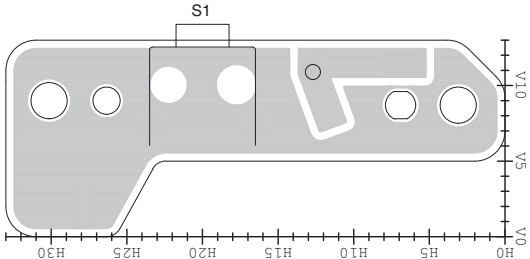
**Screw abbreviations** A, B0, BT: Self-tapping PH: Pan head ZK: Black NI-ZU: Nickel-Zinc SUS: Stainless



• MAIN UNIT  
(TOP VIEW)



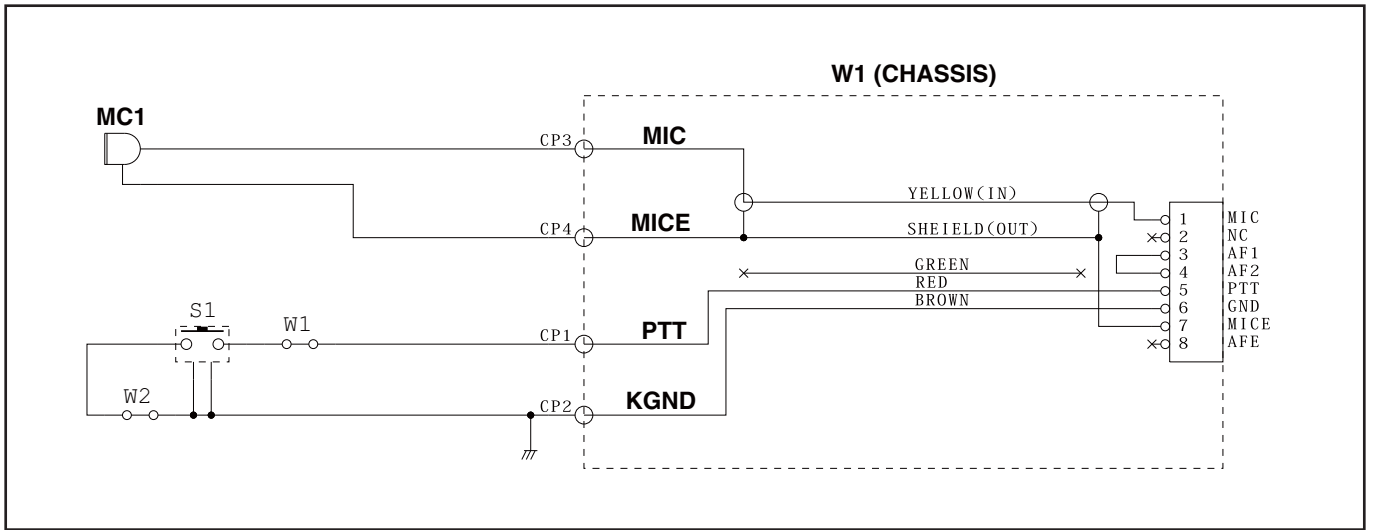
• MAIN UNIT  
(BOTTOM VIEW)



# SECTION 4

# SCHEMATIC DIAGRAM

## • MAIN UNIT



## Icom Inc.

1-1-32, Kamiminami, Hirano-ku, Osaka 547-0003, Japan  
Phone : +81 (06) 6793 5302  
Fax : +81 (06) 6793 0013  
URL : <http://www.icom.co.jp/world/index.html>

### Icom America Inc.

<Corporate Headquarters>  
2380 116th Avenue N.E., Bellevue, WA 98004, U.S.A.  
Phone : +1 (425) 454-8155 Fax : +1 (425) 454-1509  
URL : <http://www.icomamerica.com>  
E-mail : [sales@icomamerica.com](mailto:sales@icomamerica.com)  
<Customer Service>  
Phone : +1 (425) 454-7619

### Icom Canada

Glenwood Centre #150-6165  
Highway 17 Delta, B.C., V4K 5B8, Canada  
Phone : +1 (604) 952-4266 Fax : +1 (604) 952-0090  
URL : <http://www.icomcanada.com>  
E-mail : [info@icomcanada.com](mailto:info@icomcanada.com)

### Icom (Australia) Pty. Ltd.

Unit 1 / 103 Garden Road, Clayton VIC 3168 Australia  
Phone : +61 (03) 9549-7500 Fax : +61 (03) 9549-7505  
URL : <http://www.icom.net.au>  
E-mail : [sales@icom.net.au](mailto:sales@icom.net.au)

### Icom New Zealand

146A Harris Road, East Tamaki,  
Auckland, New Zealand  
Phone : +64 (09) 274 4062 Fax : +64 (09) 274 4708  
URL : <http://www.icom.co.nz>  
E-mail : [inquiries@icom.co.nz](mailto:inquiries@icom.co.nz)

### Beijing Icom Ltd.

10C07, Long silver Mansion, No.88, Yong Ding  
Road, Haidian District, Beijing, 100039, China  
Phone : +86 (010) 5889 5391/5392/5393  
Fax : +86 (010) 5889 5395  
E-mail : [bjicom@bjicom.com](mailto:bjicom@bjicom.com)  
URL : <http://www.bjicom.com>

### Icom (Europe) GmbH

Communication Equipment  
Auf der Krautweide 24  
65812 Bad Soden am Taunus, Germany  
Phone : +49 (6196) 76685-0 Fax : +49 (6196) 76685-50  
URL : <http://www.icomeurope.com>  
E-mail : [info@icomeurope.com](mailto:info@icomeurope.com)

### Icom Spain S.L

Ctra. Rubi, No. 88 Bajos A 08174, Sant Cugat del Valles, Barcelona, Spain  
Phone : +34 (93) 590 26 70 Fax : +34 (93) 589 04 46  
URL : <http://www.icomspain.com>  
E-mail : [icom@icomspain.com](mailto:icom@icomspain.com)

### Icom (UK) Ltd.

Blacksole House, The Boulevard, Altira Business Park, Herne Bay, CT6 6GZ, UK  
Phone : +44 (01227) 741741 Fax : +44 (01227) 741742  
URL : <http://www.icomuk.co.uk>  
E-mail : [info@icomuk.co.uk](mailto:info@icomuk.co.uk)

### Icom France s.a.s.

Zac de la Plaine  
1 Rue Brindejonc des Moulinais BP 5804  
31505 Toulouse Cedex, France  
Phone : +33 (5) 61 36 03 03 Fax : +33 (5) 61 36 03 00  
URL : <http://www.icom-france.com>  
E-mail : [icom@icom-france.com](mailto:icom@icom-france.com)

### Asia Icom Inc.

6F No.68, Sec. 1 Cheng-Teh Road, Taipei, Taiwan, R.O.C.  
Phone : +886 (02) 2559 1899 Fax : +886 (02) 2559 1874  
URL : <http://www.asia-icom.com>  
E-mail : [sales@asia-icom.com](mailto:sales@asia-icom.com)

### Icom Polska

81-850 Sopot, ul. 3 Maja 54, Poland  
Phone : +48 (58) 550 7135 Fax : +48 (58) 551 0484  
E-mail : [icompolska@icompolska.com.pl](mailto:icompolska@icompolska.com.pl)

**Count on us!**

**Icom Inc.**

1-1-32, Kamiminami, Hirano-ku, Osaka 547-0003, Japan

S-14812XZ-C1  
© 2012 Icom Inc.