

HF-VTR344 Thermal Fire Detection Camera



Thermal fire detection (hereinafter referred to as "the camera") is a fire detection device that uses the focal plane temperature measurement technology as the main means of fire detection, identifies the abnormal temperature, flame and other characteristics of objects in the detected area and sends out early warning and alarm, which can realize online management and visual review. It is widely used in hospitals, schools (laboratories, libraries, warehouses, archives), museums, banks, factories, substations, petroleum and petrochemical (gas stations) and other key units with fire protection and security needs.

- New fusion 3 in 1 smart camera, which can sense the flame and temperature for alarm, can be rechecked via video.
- Sensor type by optical, thermal and flame.
- High sensitivity, safety and reliability.
- Support the dual light fusion image mode, and the high resolution of visible light can reach 2560 × 1440@25 fps; Max. effective resolution of thermal imaging is 1280 × 720.
- Support micro SD/SDHC/SDXC card (128 G) local storage.
- Support flame detection, coverage area 50m (0.1m² fire pan).
- Support abnormal temperature detection.
- Equip with local alarm indicators, and support mute remotely
- Support PoE power supply, 10M/100M adaptive network port, IP66.
- Link with alarm picture and video during alarm.
- Support access to Hik-Connect, iVMS-4200.

▪ Specification

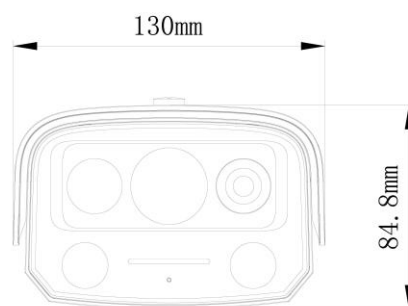
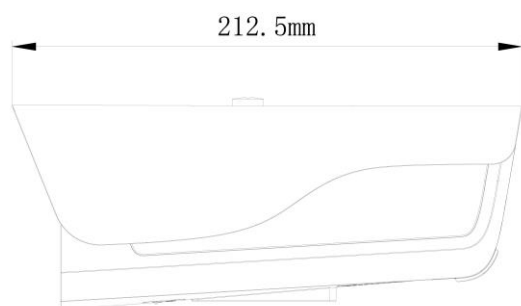
Camera	
Max. Image Size	2560 x 1440
Sensor Type	Optical: 1/2.7" Progressive Scan CMOS Thermal: VOX Flame: 4.3um (main)+5.0um (auxiliary)+3.8um (auxiliary)
Main Stream	25 fps (2560 × 1440, 1920 × 1080, 1600 × 1200, 1280 × 720)
Sub Stream	25 fps (704 × 576, 640 × 480, 352 × 288)
Min. Illumination	Color: 0.015 Lux@ (F1.6, AGC ON)
Lens	4 mm,F1.6
Image Settings	Saturation, brightness, contrast, sharpness, AGC and white balance can be adjusted through the client or browser.
WDR	120 dB
Shutter	1/25 ~ 1/100,000 s
Day/Night Switch	full color
Image Enhancement	Backlight compensation, 3D digital noise reduction, gray scale range adjustment
Main Stream Video Compression Standard	H.265,H.264
Sub Stream Compression Standard	H.265,H.264
Video Bitrate	256Kbps~8Mbps
Intelligent Alarm	Intrusion detection, boundary violation detection, smoke and fire detection
Protocol	TCP/IP, FTP, HTTP, HTTPS, DHCP, DNS, DDNS, RTP, RTSP, RTCP, NTP, UDP
Interface Protocol	PROFILE S, PROFILE G, ISAPI
General	Reset, anti flicker, heartbeat, mirror, password protection, video occlusion, IP address filtering
Storage	MicroSD/SDHC/SDXC card (256 G), disconnection local storage
Exception Detection	Motion Detection, video tampering alarm, network cable disconnection, IP conflict, invalid access, full memory, memory error
WEB Configuration	Support web preview, configuration and parameter import/export
Power Consumption	≤10 W
IR Range	30 m
Accessory Type	Wall mounted support, pendent support, universal joint
FoV	Horizontal: 84°, Vertical: 43°
Detector	
Max. Resolution	256 × 192
Pixel Size	17 μm
Response Waveband	8~14 μm
Focal Length of Thermal Imaging Lens	3 mm
Detection Range	30 m
Flame Alarm	Yes
Palette Mode	Support 15 modes including white hot, black hot, fusion 1, rainbow, fusion 2, iron red 1, iron red 2, etc.
Fire and Smoke Detection	Yes

Temperature Exception Detection	Yes
Temperature Measurement Range	0 °C~400 °C
Thermography Precision	±2 °C or ±2% of the reading (maximum) (within 0.3~3.3m from the device)
Noise Equivalent Temperature Difference (NETD)	≤50 mK(@25 °C,F#1.0)
Display Resolution	1280*720
Temperature Sensing Mode	Support non-contact temperature sensing
High Temperature Alarm	No
Alarm Indicator Light	One, Red: Alarm; Green: Normal; Yellow: Fault
Function	
Remote Silence	Yes
Interface	
Alarm Interface	2 way alarm input(Alarm in), 2 way alarm output(Alarm out, support DC 30V/2A or AC 125V/0.5A)
Audio Interface	1 way audio input(Line in), 1 way audio output(Line out), 1 built-in microphone, 1 built-in speaker
Professional Intelligence (Deep Learning Algorithm)	
Flame Detection	Yes
General	
Using Environment	Temperature: -20 °C~60 °C, humidity: less than 95%(on condensing)
Ingress Protection	IP66
Communication Interface	RJ45 10 M/100 M adaptive Ethernet port * 1, support PoE power supply; RS-485 interface * 1
Mounting Height	Indoor: higher than 2.5 m Outdoor: higher than 3.5 m
Power Interface Type	3pin industrial terminal, spacing: 3.81
Power	DC 12 V/1.5 A, PoE: 802.3at,CLASS 4
Product Implementation Standard	Q/HKD 012-2020
Weight	1.4 kg (without packing), 1.7 kg (with packing)
Dimension (L × W × H)	212.5 mm × 130.0 mm × 84.8 mm

▪ Available Model

HF-VTR344

▪ Dimension



See Far, Go Further



www.hikvision.com
support@hikvision.com

