

HF-VT343
Fire Detection Camera

It is a composite high-performance flame detector that integrates tri-band infrared pyroelectric sensors and visual AI intelligent detection. It identifies changes in infrared signals and image characteristics of flames in the monitored area, issues warnings and alarms, and supports networked management and visual verification. This product features smoke and fire alarm functions, identification of fire point locations, and video verification for the monitored area, enabling early fire warning and remote visual verification of fire scenes. It is widely used in key units with fire protection and security needs, such as hospitals, schools (laboratories, libraries, warehouses, archives), museums, Taoist monasteries, banks (ATM rooms, equipment rooms), production safety workshops, indoor substations, new energy facilities, and oil and petrochemical sites (gas stations)

- New fusion smart camera, which can sense the temperature for alarm and can be rechecked via video
- 400W Fixed Focus Intelligent Camera
- Equip with local alarm indicators
- Support flame detection, coverage: 30 meters (burning object: n-heptane, 0.1m² fire plate)
- Support high-temperature and temperature-rise exception detection
- Supports local alarm indicator light, high-decibel alarm through an internal speaker, and remote muting
- 1 internal speaker, 1 internal microphone, supports bidirectional voice intercom
- OSD alarm event overlay support
- Support access to Hik-Connect
- Supports white/IR fill light
- Support PoE power supply
- Supports DC12V (1W) external power output, providing power for sensors such as smoke detectors and gas sensors
- Supports 2 alarm input/output channels and 1 audio input/output channel
- IP67 dust and water resistant

▪ Specification

Camera	
Sensor Type	1/3" Progressive Scan CMOS
Max. Resolution	2688×1520
Main Stream	50Hz: 25 fps (2560 × 1440, 1920 × 1080, 1280 × 720) 60Hz: 30 fps (2560 × 1440, 1920 × 1080, 1280 × 720)
Sub Stream	50Hz: 25 fps (704 × 576, 640 × 480, 352 × 288) 60Hz: 30 fps (704 × 480, 640 × 480, 352 × 240)
Min. Illumination	Color : 0.01 Lux @ (F1.6, AGC ON)
Lens	Horizontal: 83°, Vertical: 43°, Diagonal: 100°
Image Settings	Saturation, brightness, contrast, sharpness, AGC and white balance can be adjusted through the client or browser.
WDR	WDR
Shutter	1/25 ~ 1/100,000 s
Image Enhancement	BLC, 3D DNR
Main Stream Video Compression Standard	H.265,H.264
Sub Stream Compression Standard	H.265,H.264
Video Bitrate	256Kbps ~ 8192Kbps
Intelligent Alarm	Intrusion detection, line crossing detection, smoke and flame detection , Fire and Smoke Detection , Indoor Access Blocked Detection , On/Off Duty Detection , Detection of Dangerous Goods in Elevator , Dangerous Behavior Detection , Fire Extinguisher Detection
Protocol	TCP/IP, HTTP, HTTPS, DHCP, DNS, RTP, RTSP, RTCP, NTP, IPv4, UDP
Interface Protocol	ONVIF(PROFILE S, PROFILE G), ISAPI , EZVIZ , ISUP
General	Anti flicker, heartbeat, image, password protection, video occlusion
Storage	Micro SD/SDHC/SDXC card (256 G) disconnection local storage
Exception Detection	Motion Detection, video tampering alarm, network cable disconnection, IP address conflict, invalid access, full memory, memory error
WEB Configuration	Support web preview, configuration and parameter import/export
IR Range	White: 10 m IR: 30m
Accessory Type	Wall mounted support, pendent support, universal joint
Detector	
Image Sensor	Vanadium Oxide (VOx) Microbolometer
Pixel Size	HF-VT343(1mm)(O-STD):17 μm HF-VT343(3mm)(O-STD):12 μm
Response Waveband	8~14 μm
Focal Length of Thermal Imaging Lens	HF-VT343(1mm)(O-STD):1.2 mm HF-VT343(3mm)(O-STD):3.2 mm

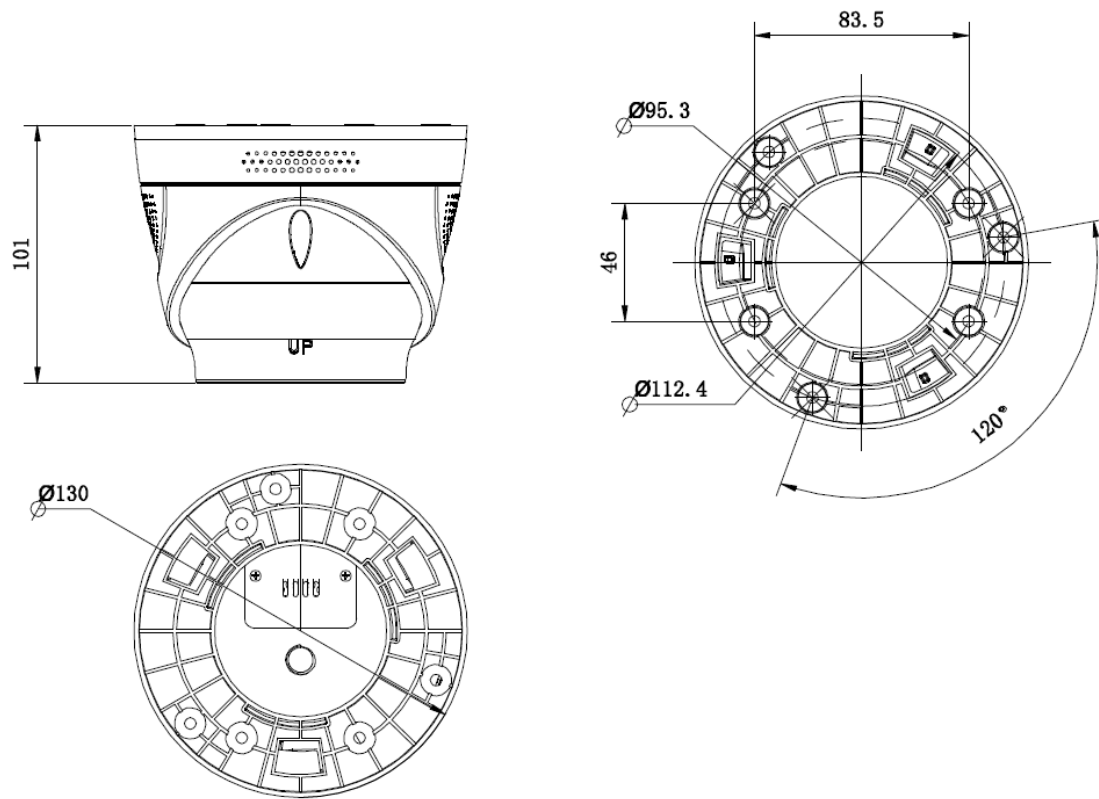
Thermal Imaging Field of View	HF-VT343(1mm)(O-STD):90° ×68° HF-VT343(3mm)(O-STD):56.2° ×42.2°
Palette Mode	Support 15 modes including white hot, black hot, fusion 1, rainbow, fusion 2, iron red 1, iron red 2, etc.
Fire and Smoke Detection	Yes
Temperature Exception Detection	Yes
Temperature Measurement Range	HF-VT343(3mm)(O-STD):-20 °C~550 °C HF-VT343(1mm)(O-STD):-20 °C ~ 400 °C
Thermography Precision	HF-VT343(3mm)(O-STD):Max (± 8 °C, ± 8 %) , within the range of 0.4 ~ 2.5 m from the device HF-VT343(1mm)(O-STD):Max (± 8 °C, ± 8 %) , within the range of 0.5 ~ 1.2 m from the device
Noise Equivalent Temperature Difference (NETD)	≤50 mK(@25 °C,F1.0)
Temperature Sensing Mode	Support non-contact temperature sensing
High Temperature Alarm	Yes
Interface	
Alarm Interface	2 way alarm input (Alarm in), 2 way alarm output (Alarm out, support DC 30 V/2 or AC 125 V/0.5 A)
Ethernet Interface	RJ45 10 M/100 M adaptive Ethernet port × 1
Audio Interface	1 way audio input (Line in), 1 way audio output (Line out), 1 way built-in microphone, 1 way built-in speaker
Professional Intelligence (Deep Learning Algorithm)	
Flame Detection	Yes coverage: 30 meters (burning object: n-heptane, 0.1m ² fire plate)
Smoke Detection	Yes
General	
Ingress Protection	IP 67
Mounting Height	Indoor: higher than 2.5 m Outdoor: higher than 3.5 m
Power Interface Type	3pin industrial terminal, spacing: 3.81
Power	DC 9V ~ DC 30V, 24W MAX; PoE: 802.3at; CLASS 4 (The power adapter is not included; you will need to configure it yourself)
Working Temperature	-20~60°C
Working Humidity	< 95% RH
Dimension (φ × H)	Φ 130 × H 101 mm
Alarm Indicator Light	Red/blue: Alarm Green: Normal Yellow: Fault
Product Implementation Standard	Q/HKD 054-2024
Power Consumption	< 10W
Weight	677g (without packaging)

▪ Available Model

HF-VT343(3mm)

HF-VT343(1mm)

▪ Dimension



See Far, Go Further



www.hikvision.com
support@hikvision.com

