

## HF-VR343 Fire Detection Camera



It is a composite flame detector that integrates dual-band infrared pyroelectric sensors, AI visual fire hazard recognition, and local audio-visual alarms. It identifies changes in infrared signals and image characteristics of flames in the monitored area, achieving early fire warning and alarm, as well as remote visual verification of fire scenes. It is widely used in key units with fire and security needs, such as hospitals, schools (laboratories, libraries, warehouses, archives), museums, temples, banks (ATM rooms, equipment rooms), production safety workshops, indoor substations, new energy facilities, and oil and petrochemical sites (gas stations).

- New intelligent fusion camera, supporting flame detection by sensing changes in infrared signals around the flame, and capable of video verification.
- Built-in infrared pyroelectric flame detector, further enhancing the accuracy of flame alarms.
- Support AI intelligent detection: Smoke and flame detection, Indoor access blocked alarm, On/off duty alarm, Dangerous goods detection, Dangerous behavior detection, Fire Extinguisher Detection, Area Invasion Detection.
- Equip with local alarm indicators
- The maximum resolution can reach 2560 × 1440@25 fps
- Supports 30m infrared illumination
- Support 3D digital noise reduction and wide dynamic range
- Supports backlight compensation and automatic electronic shutter function, adaptable to various usage environments.
- Supports linkage local alarm indicator lights.
- 1 built-in speaker, 1 built-in microphone, supports two-way voice intercom
- Supports OSD alarm event overlay
- Support access to Hik-Connect
- Support PoE power supply
- Supports DC12V (1W) external power output, for powering smoke, gas, and other sensors
- Supports 2 alarm input/output channels, 1 audio input/output channel
- IP67 dust and water resistant

## ▪ Specification

Camera	
Sensor Type	Infrared pyroelectric: 4.3 um + 3.8 um
Max. Resolution	2688×1520
Main Stream	25 fps (2560 × 1440, 1920 × 1080, 1280 × 720)
Sub Stream	25 fps (704 × 576, 640 × 480, 352 × 288)
Min. Illumination	Color: 0.01 Lux @ (F1.6, AGC ON)
Lens	Horizontal: 78.96°, Vertical: 43.17°, Diagonal: 93.31°
Image Settings	Saturation, brightness, contrast, sharpness, AGC and white balance can be adjusted through the client or browser
Adjusted Angle	Horizontal: 0° ~ 360°; Vertical: 0° ~ 70°; Rotated: 0° ~ 360°
WDR	120 dB
Shutter	1/25 ~ 1/100,000 s
Day/Night Switch	IR cut filter
Image Enhancement	BLC, 3D DNR
SVC Encoding	H.264, H.265
H.265	Main Profile
H.264	Main Profile/High Profile
Main Stream Video Compression Standard	H.265,H.264
Sub Stream Compression Standard	H.265,H.264
Video Bitrate	256Kbps ~ 8192Kbps
General	Anti flicker, Heartbeat, Mirror, Password protection, Video occlusion
Intelligent Alarm	Smoke and flame detection, Indoor access blocked alarm, On/off duty alarm, Dangerous goods detection, Dangerous behavior detection, Fire Extinguisher Detection, Area Invasion Detection
Exception Detection	Motion detection, Video tampering alarm, Network cable disconnection, IP address conflict, Invalid access, Full memory, Memory error
WEB Configuration	Support web preview, configuration and parameter import/export
Protocol	TCP/IP, HTTP, HTTPS, DHCP, DNS, RTP, RTSP, RTCP, NTP, IPv4, UDP
Storage	Support Micro SD/ Micro SDHC/ Micro SDXC card(max. 256 G), disconnection local storage, NAS
Interface Protocol	ONVIF(PROFILE S, PROFILE G), ISAPI, EZVIZ
Power Consumption	≤10 W
IR Range	30 m
Accessory Type	Wall mounted support, pendent support, universal joint
Detector	
Thermography Alarm Shielded Area	Configure four rectangular areas
Image Sensor	1/2.7" Progressive Scan CMOS
Alarm Indicator Light	One, Red: Alarm; Yellow: Fault; Green: Normal
Detection Range	within 30 meters(0.1 square meter fire pan)
Fire and Smoke Detection	Yes

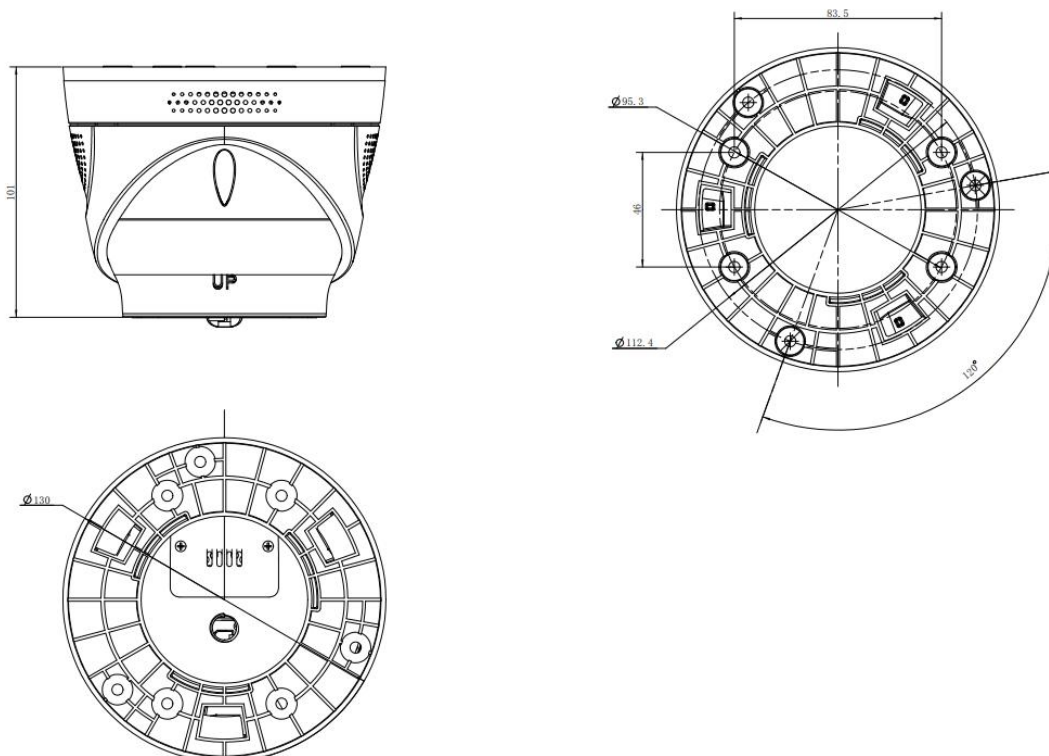
**Headquarters**  
 Address: Building 2, No.399,  
 Danjiong Road, Binjiang District, Hangzhou City,  
 Zhejiang Province, China  
 Tel: 0086 410-899-0999  
[www.hikvision.com](http://www.hikvision.com)

Function	
Remote Silence	Yes
Interface	
Alarm Interface	2 way alarm input ( Alarm in), 2 way alarm out ( Alarm out)
Audio Interface	1 built-in microphone, 1 built-in speaker, Supports voice intercom
Auxiliary Power Interface	Supports DC 12V output, power 1W
Ethernet Interface	1 RJ45 10 M/100 M adaptive Ethernet port
General	
Power	DC 9 ~ 30V, 18W Max
Using Environment	-30 °C~ 60 °C Humidity 95% or less (non-condensing)
Dimension (φ × H)	Φ 130 × H 101 mm
Weight	407g
Execution Standard	Q/HKD 006-2019
Mounting Height	Wall mounted: 2.4 m~2.8 m, Pendent: 3.3 m~6 m
Ingress Protection	IP67
Communication Mode	HF-VR343:LAN

## ▪ Available Model

HF-VR343(4mm)

## ▪ Dimension



### Headquarters

Address: Room 311, Unit B, Building 2, No.399,  
Danfeng Road, Binjiang District, Hangzhou City,  
Zhejiang Province, China  
Tel: 0086 400-800-5998  
www.hikvision.com