

HF-VH243 Fire Detection Camera



- High quality imaging with 4 MP resolution
- Support On/Off Duty Detection
- Support local alarm indicator
- Support 30m-infrared / 10m-white light supplemental lighting
- Water and dust resistant (IP66)
- Supports overlay of OSD alarm events
- Supports PoE power supply and simple cabling

▪ Specification

| Camera | |
|--|--|
| Max. Image Size | 2560 × 1440 |
| Sensor Type | 1/2.7" Progressive Scan CMOS |
| Main Stream | 25 fps (2560 × 1440, 1920 × 1080, 1280 × 720) |
| Sub Stream | 25 fps (704 × 576, 640 × 480, 352 × 288) |
| Min. Illumination | Color: 0.015 Lux@(F1.6, AGC ON) |
| Lens | 2.8mm: horizontal FOV113.31°, vertical 59.85°, diagonal FOV 136.26° 4mm: horizontal FOV 92.59°, vertical 49.67°, diagonal FOV 111.14° |
| Image Settings | Saturation, brightness, contrast, sharpness, AGC and white balance can be adjusted through the client or browser. |
| Adjusted Angle | Horizontal: 0° ~ 360°; Vertical: 0° ~ 70°; rotated: 0° ~ 360° |
| WDR | Digital WDR |
| Shutter | 1/25 ~ 1/100,000 s |
| Day/Night Switch | IR cut filter |
| Image Enhancement | BLC, 3D DNR |
| SVC Encoding | H.264, H.265 |
| H.265 | Main Profile |
| H.264 | Main Profile/High Profile |
| Main Stream Video Compression Standard | H.265, H.264 |
| Sub Stream Compression Standard | H.265, H.264 |
| Video Bitrate | 256Kbps ~ 8 Mbps |
| General | Reset, anti flicker, heartbeat, image, password protection, video occlusion, IP address filtering |
| Intelligent Alarm | on/off duty alarm |
| WEB Configuration | Support web preview, configuration |
| Protocol | TCP/IP, HTTP, HTTPS, DHCP, DNS, RTP, RTSP, RTCP, NTP, IPv4, UDP |
| Storage | Support microSD /microSDHC /microSDXC card, up to 256 G |
| Interface Protocol | ONVIF(PROFILE S, PROFILE G), ISAPI |
| Power Consumption | ≤ 6.5 W |
| IR Range | 30 m |
| Accessory Type | Wall mount、 pendant mount、 junction box |
| Detector | |
| Temperature Sensing Mode | Non-contact temperature sensing |
| Thermography Alarm Shielded Area | Customized 4 rectangular regions |
| High Temperature Alarm | Yes |
| Alarm Indicator Light | Red/Blue: Alarm (Red/Blue light mode optional) Green: Normal Yellow: Fault |

Headquarters
 Alarm Indicator Light
 No.399, Danfeng Road, Binjiang District, Hangzhou City, Zhejiang Province, China
 Tel: 0086 400-800-5998
 www.hikvision.com

| | |
|-------------------------------|---|
| Temperature Measurement Range | -20 °C~ 120 °C |
| Thermography Precision | ±3° |
| Function | |
| Remote Silence | Yes |
| Interface | |
| Alarm Interface | HF-VH243:1 way alarm in , 2 way alarm out HF-VH243(2.8mm)(B)(O-STD),HF-VH243(4mm)(B)(O-STD):NA HF-VH243(4mm)(O-STD)(<small>样机</small>),HF-VH243(2.8mm)(O-STD)(<small>样机</small>):1 way alarm in , 2 way alarm out |
| Audio Interface | HF-VH243:1 built-in microphone, 1 built-in speaker HF-VH243(2.8mm)(B)(O-STD),HF-VH243(4mm)(B)(O-STD):NA HF-VH243(4mm)(O-STD)(<small>样机</small>),HF-VH243(2.8mm)(O-STD)(<small>样机</small>):1 built-in microphone, 1 built-in speaker |
| Auxiliary Power Interface | DC 12V |
| Ethernet Interface | 1 RJ45 10 M/100 M self-adaptive Ethernet port |
| General | |
| Power | DC 12V POE:IEEE802.3af,CLASS 2 |
| Using Environment | Temperature: -30 °C~ 60 °C Humidity: Less than 95% (no condensing) |
| Dimension (Φ × H) | Φ 130 × H 101 mm |
| Weight | 450g |
| Execution Standard | Q/HKD 006-2019 |
| Mounting Height | Wall mounted: 2.4 m~2.8 m; Pendent: 3.3 m~6 m |
| Ingress Protection | IP66 |

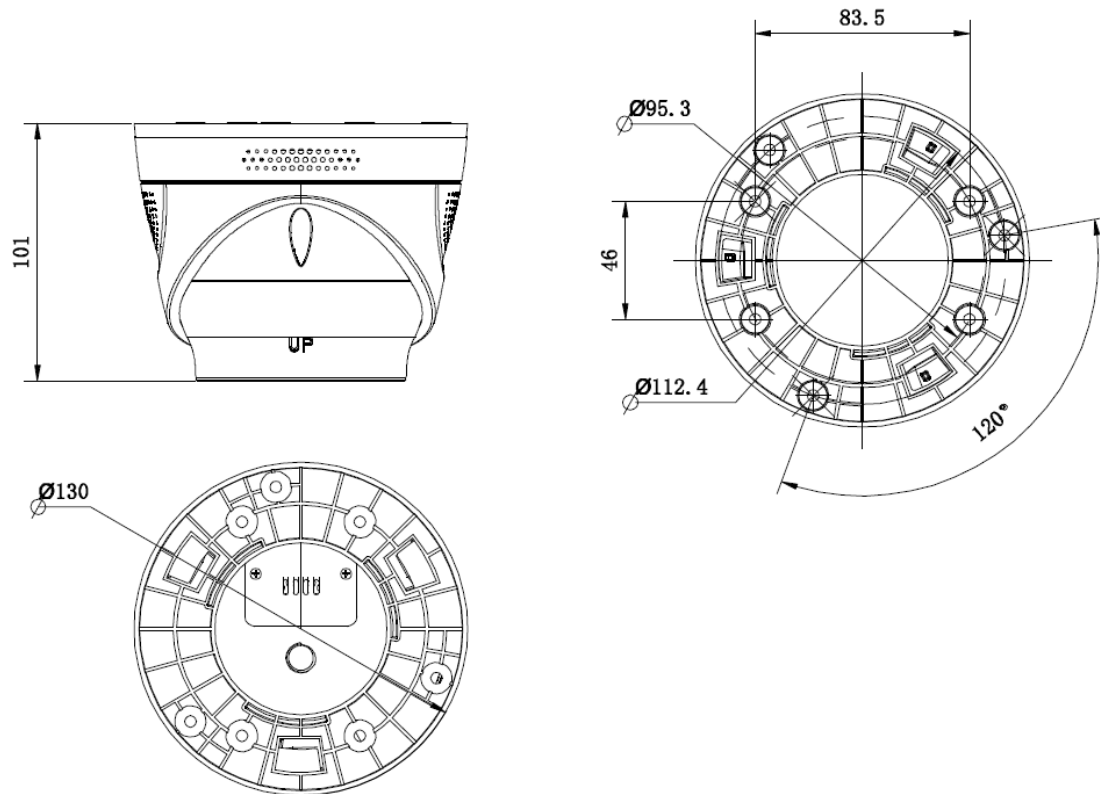
▪ Available Model

HF-VH243(4mm)
 HF-VH243(2.8mm)
 HF-VH243(2.8mm)(B)
 HF-VH223(2.8mm)(B)
 HF-VH243(4mm)(B)
 HF-VH223(4mm)(B)

▪ Dimension

Headquarters

Address: Room 311, Unit B, Building 2, No.399,
 Danfeng Road, Binjiang District, Hangzhou City,
 Zhejiang Province, China
 Tel: 0086 400-800-5998
 www.hikvision.com



Safer Place Better Life

Headquarters

Address: Room 311, Unit B, Building 2, No.399,
Danfeng Road, Binjiang District, Hangzhou City,
Zhejiang Province, China
Tel: 0086 400-800-5998
www.hikvision.com