

5000 | 5300 Series Electric Strikes



ASSA ABLOY

Experience a safer
and more open world

Installation & Operating Instructions

Product Contents

- A 5000/5300 Electric Strike Body
- B Trim Enhancer (with screws)
- C 12 & 24 Volt Pigtails

Electrical Specifications

Electrical Ratings For Solenoid

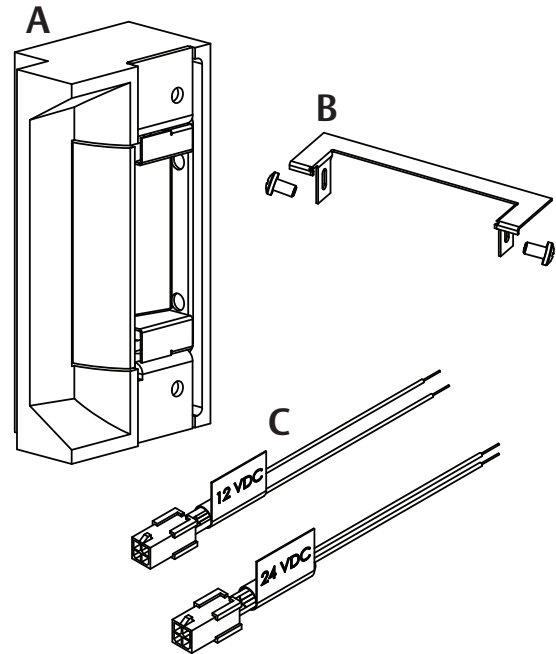
	CONTINUOUS DUTY		INTERMITTENT DUTY*	
	12 VDC	24 VDC	12-16 VAC	24 VDC
Resistance in Ohms	50	200	50	200
Amps	.24	.12	.24-.32	.12

Solenoids are rated at +/- 10% indicated value.
*10% max duty cycle (2 min. max on time) Indoor use only

Minimum Wire Gauge Requirements

	SOLENOID VOLTAGE	
	12 VDC	24 VDC
200 feet or less	18 gauge	20 gauge
200 – 300 feet	16 gauge	18 gauge
300 – 400 feet	14 gauge	16 gauge

Diagram 1: Product Components



CAUTION! Before connecting any device at the installation site, verify input voltage using a multimeter. Many power supplies and low voltage transformers operate at higher levels than listed. Any input voltage exceeding 10% of the solenoid rating may cause severe damage to the unit and will void the warranty.

Installation Directions

Prepare Strike

1. SELECT the appropriate Plug In Connector that matches system power and electrically connect as illustrated in **Diagram 2**.
FOR 12 V AC/DC OR 16 V AC, the pigtail marked "12 VDC" should be used.
FOR 24 V AC/DC, the pigtail marked "24 VDC" should be used.
2. VERIFY that the strike is in the correct mode of operation. This unit ships in Fail Secure mode. If you need to convert to Fail Safe see **Diagram 4**.
3. If using LATCHBOLT MONITOR (LBM) see **Diagram 3** to complete wiring.

Prepare Frame

1. PREPARE frame using appropriate template for your faceplate.
2. ATTACH faceplate to strike body.

Finish Installing

1. CONNECT wires from the power source to the strike.
2. INSTALL the electric strike unit in jamb cutout using the screws provided with the faceplate option kit.

LBM WIRING	
White	Common
Orange	Normally Open
Green	Normally Closed

Diagram 2 12 V to 24 V Conversion

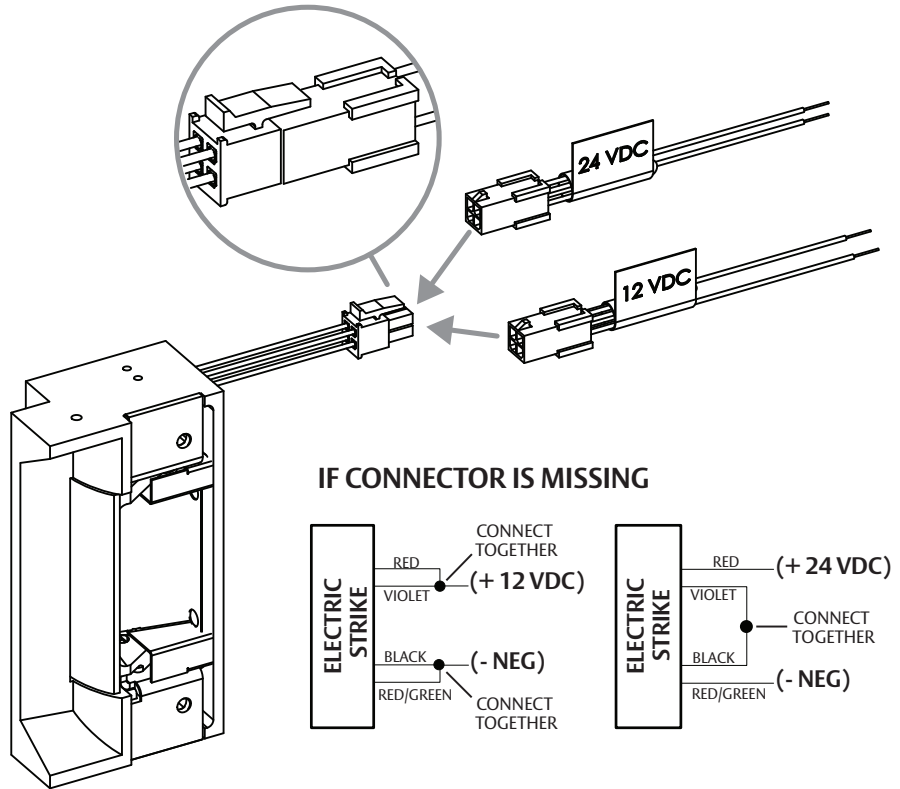
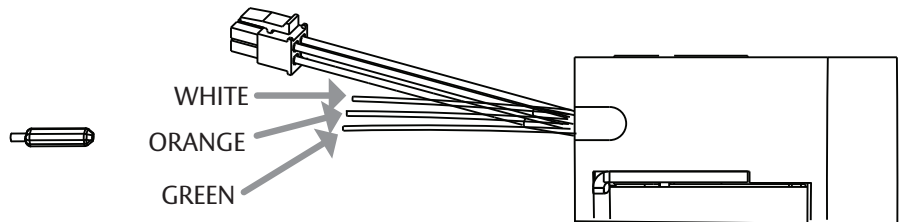


Diagram 3 Latchbolt Monitor



Fail Safe Conversion

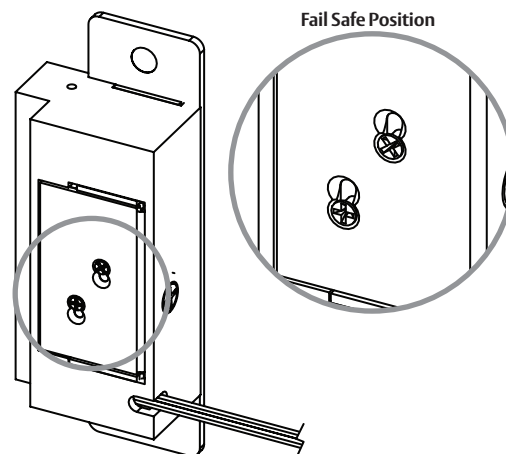
Convert Mode

1. LOOSEN the two #2-56 screws located on the back of the strike as shown, but do not remove them.
2. MOVE screws from the top of the hole (Fail Secure position) to the bottom hole (Fail Safe position) as shown above.
3. TIGHTEN screws.

Verify

4. VERIFY the strike is now in the Fail Safe operation mode. If the strike still operates as Fail Secure, be sure screws are fully seated in the bottom position.

Diagram 4 Fail Safe Conversion

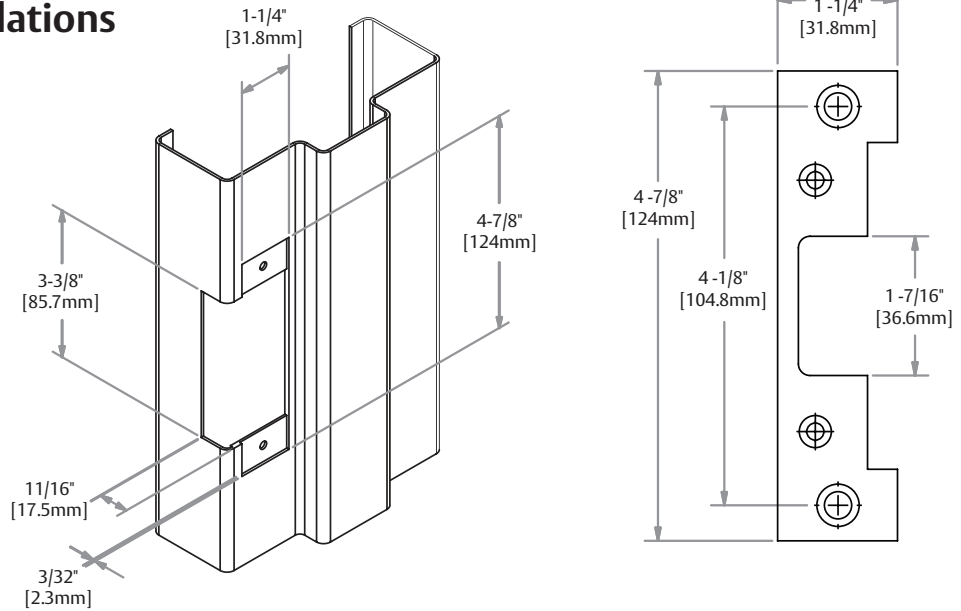


! Fire rating only applies to Fail Secure Units. Conversion to Fail Safe negates fire rating on 5300.

ANSI Metal Jamb Installations

501 Faceplate

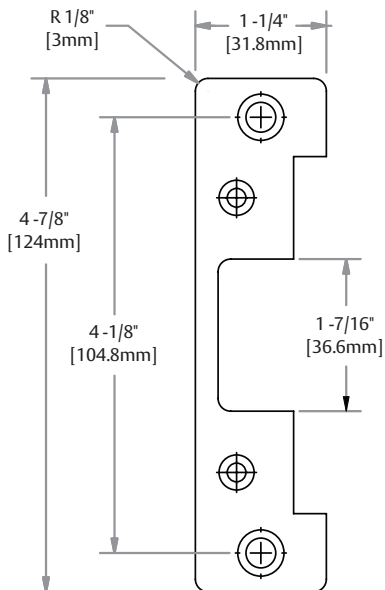
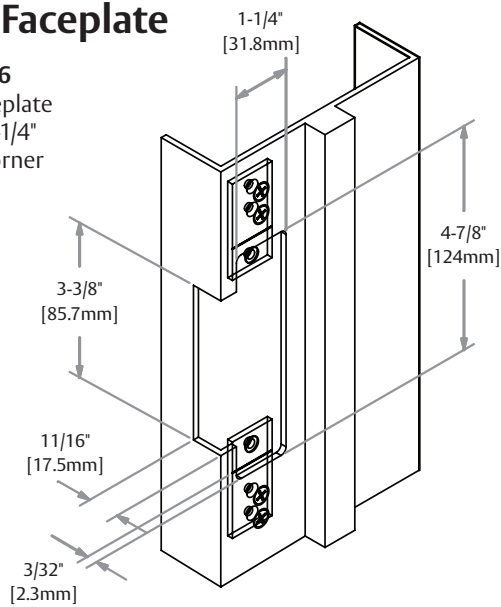
Diagram 5 501 Faceplate
4-7/8" x 1-1/4" Square Corner



Aluminum Jamb Installations

501A Faceplate

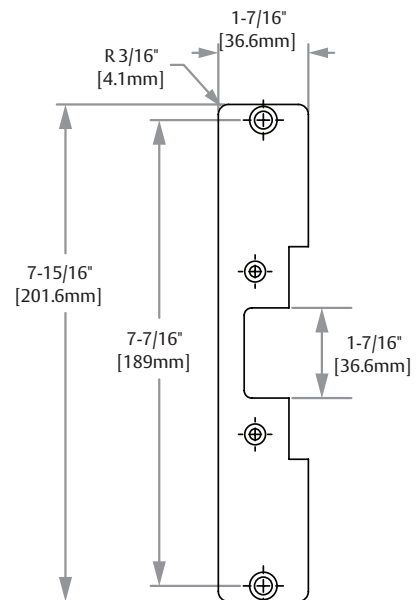
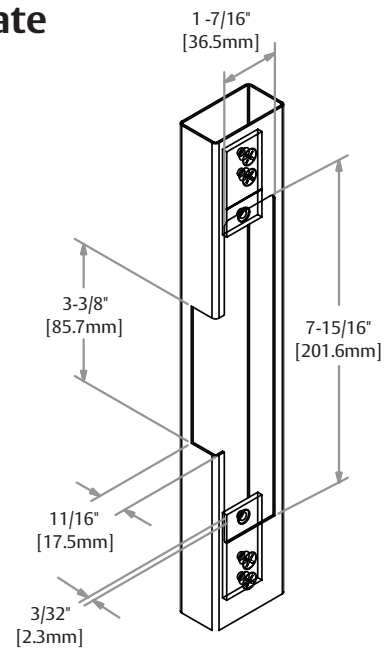
Diagram 6 501A Faceplate
4-7/8" x 1-1/4" Radius Corner



Aluminum Frame Installations

502 Faceplate

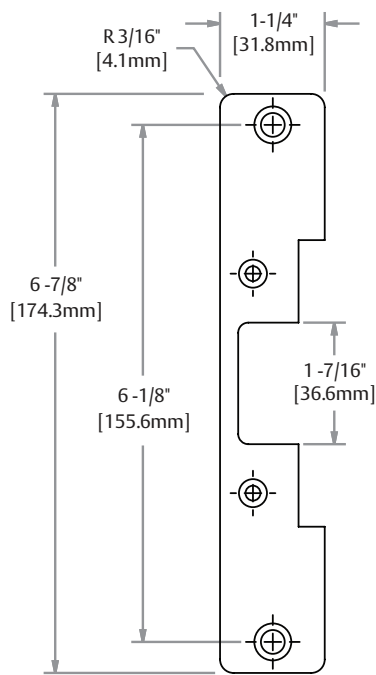
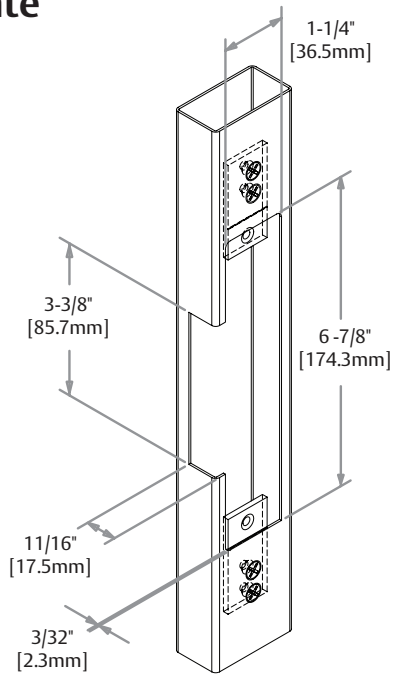
Diagram 7 502 Faceplate
7-15/16" x 1-7/16" Radius Corner



Aluminum Frame Installations

503 Faceplate

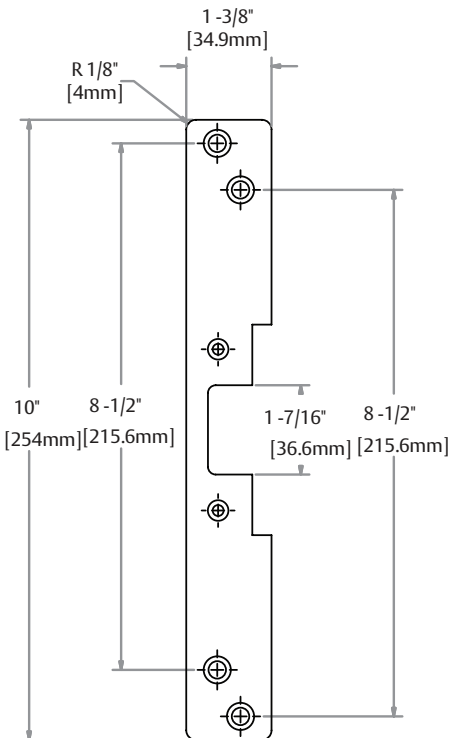
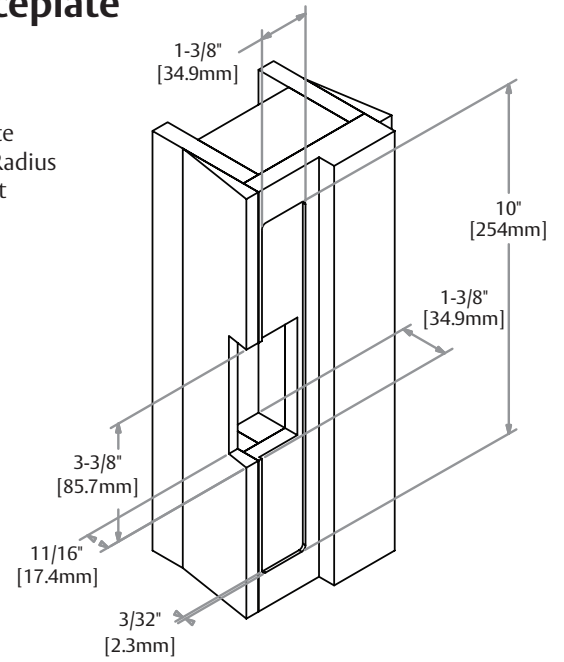
Diagram 8
503 Faceplate
6-7/8" x 1-1/4"
Radius Corner



Wood Frame Installations

504 Faceplate

Diagram 9
504 Faceplate
10" x 1-3/8"
Radius Corner & Flat



Scan QR code to find additional info, certifications and listings.



Warranty

For information on warranty coverage and replacement options, please visit hesinnovations.com/warranty



techsupport.hes@assaabloy.com
800 626 7590 | hesinnovations.com

Printed in the U.S.A.

Patent pending and/or patent www.assaabloydss.com/patents

Copyright © 2023, Hanchett Entry Systems, Inc., an ASSA ABLOY Group company. All rights reserved. Reproduction in whole or in part without the express written permission of Hanchett Entry Systems, Inc. is prohibited. 3019006.003_5