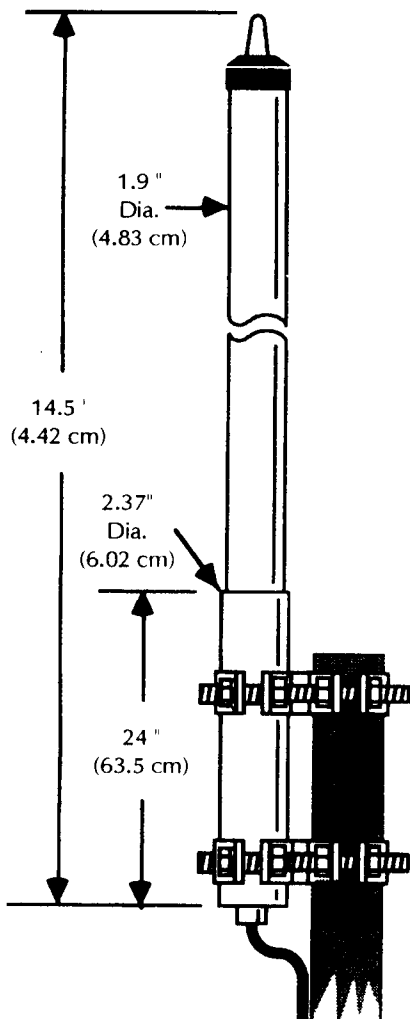




HEAVY DUTY SERIES 9 dBd UHF OMNIDIRECTIONAL BROAD BANDWIDTH FIBERGLASS ANTENNA



MODEL NUMBER

- HD9-40630 (406-430 MHz.)
- HD9-43050 (430-450 MHz.)
- HD9-45070 (450-470 MHz.)
- HD9-47090 (470-490 MHz.)
- HD9-49051 (490-512 MHz.)

FREQUENCY RANGE

406 - 512 MHz.

GAIN

9 dBd (11.15 dBi)

BANDWIDTH

20 MHz.

V.S.W.R.

1.5:1

POLARIZATION

Vertical

POWER RATING

600 Watts Maximum

TERMINATION

Type N Female

VERTICAL APERTURE

7 Degrees

(3 dB from max)

HORIZONTAL APERTURE

Omni

WEIGHT

21 lbs. (9.5 kg.)

WIND LOAD (lateral thrust @ 100 mph)

68 lbs. (302 N)

WIND AREA (flat plate equiv.)

1.3 ft.² (.12 m²)

MAXIMUM WIND SPEED

150 mph. (241 kph.)

MATERIAL

Feed Lines: Copper
Radiators: Copper

COLOR

Radome: White

MOUNTING

(top or side mount)

Mounting Clamps: Galvanized steel
Clamps permit mounting the antenna to a support pipe up to 3-1/4" O.D.

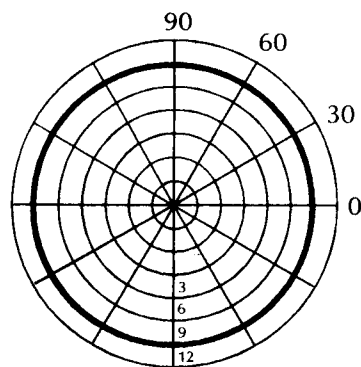
LIGHTNING PROTECTION

Direct Ground

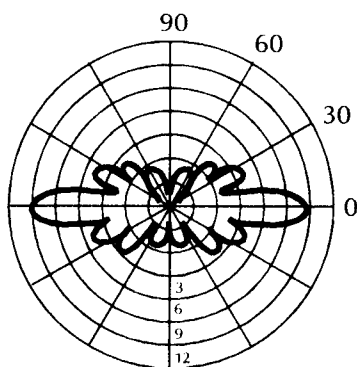
ACCESSORIES

Reflector Tube (adds 3 dB directional) and Side Mount Kit optional

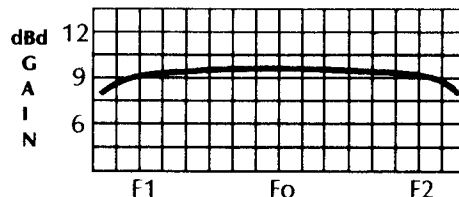
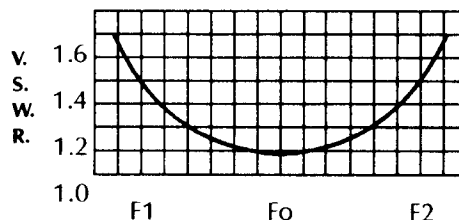
Radiation Patterns (Relative Field Strength)



Horizontal



Vertical



Printed in U.S.A.