

# HUSTLER SPIRIT SERIES FIXED STATION ANTENNAS MOUNTING MANUAL

Remove antenna from shipping tube, check parts list to be sure all parts are contained. Inspect antenna "N" type female connector making sure the feedline is using mating "N" type male connector. Install mounting clamps kit #8514 as specified in fig. 1. The clamps require 1-1/2" to 3-1/4" dia. mounting pipe or tower leg.

## Note:

Do not remove the brass stub located at the top of the antenna, this is an integral part of the lightning protection system. In special applications the antenna can be mounted upside down. To do this remove the 10 x 32 screw and o-ring from the top of the antenna and install in the drain hole located in the bottom of the antenna.

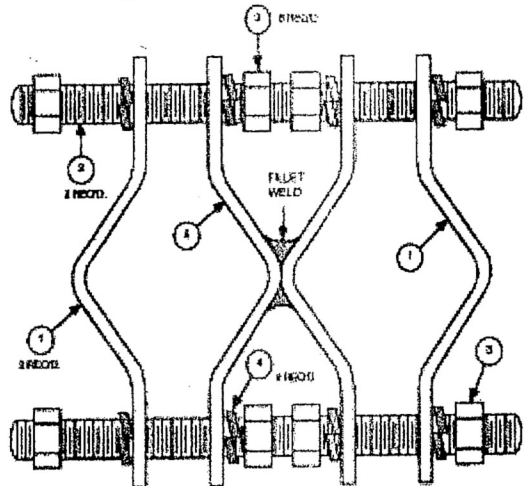
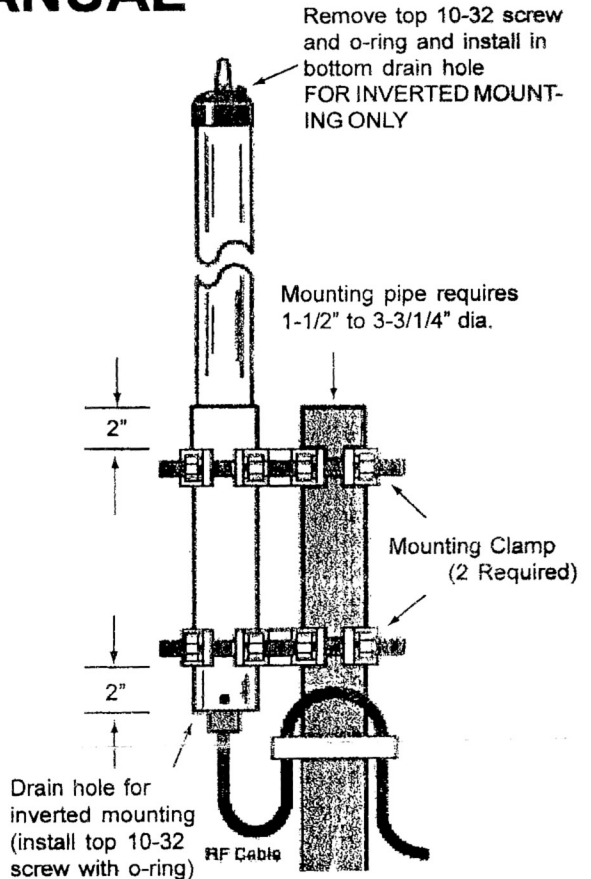
## LIMITED WARRANTY

Newtronics Antenna LTD. Warrants its products to be free of defects in material and workmanship and extends this warranty under intended use and normal service conditions to the original owner of a period of one year from the date of purchase. This warranty does not apply to any product that has been repaired or altered in any manner and is void for any damage due to accident, neglect, unreasonable use, improper installation or any other cause not arising out of defects in material or workmanship. The obligations of Newtronics Antenna LTD. are limited to repairing or replacing, at its option, any product or part that is returned to the factory all transportation charges prepaid, accompanied by proof of purchase and which examination reveals to have been defective within the warranty period stated above. Newtronics Antenna LTD. does not assume, nor is any person authorized to assume for it, any obligation other than that herein stated. Any implied warranties, including but not limited to fitness for a particular purpose, are limited in duration for the above one year period. Newtronics Antenna LTD. shall not be liable under this warranty, or any implied warranty, for loss of the product or for other consequential loss or damage incurred by the purchaser. Some states do not allow the exclusion of limitation of implied warranties of consequential damages and so the above exclusions of limitations may not apply. This warranty gives you special legal rights and you may have other rights that vary from state to state.



225 Van Story Road  
Mineral Wells, TX 76067

P/N 8815



ITEM	PART NO.	QTY	DESCRIPTION
1	8519	2	Ant. Bracket
2	8535	2	1/2" - 13 x 8" Bolt (all thread)
3	8536	8	1/2" - 13 Nut
4	8537	8	1/2" Lockwasher
5	8519W	1	Welded Bracket