

Guide Rail Installation

Accessories List:

M4×8 Sunk Screw	4
M4 Nut	4
M4×10 Fixing Screws for Connecting Columns and Base	12
M4×22 Screw for Fastening the Front Panel Screw Hole	2
M4 Equipment Cabinet Combination Nut	2
Guide Rail Installation	2 (Double-Side Printed Manual, Chinese x 1, English x 1)

1. The guide rails are applicable to equipment cabinet of which the front and back column distance ranges from 515 to 900 mm (20.3 to 35.4 inch). Connect the two components of the guide rail by inserting one into the other, as shown in Figure 1.

For the equipment cabinet of which the front and back column distance is larger than 825 mm (32.5 inch), to ensure the two components can be pushed and pulled normally, you need to slightly fix the two components with an M4 × 8 sunk screw and an M4 nut, as shown in Figure 2.

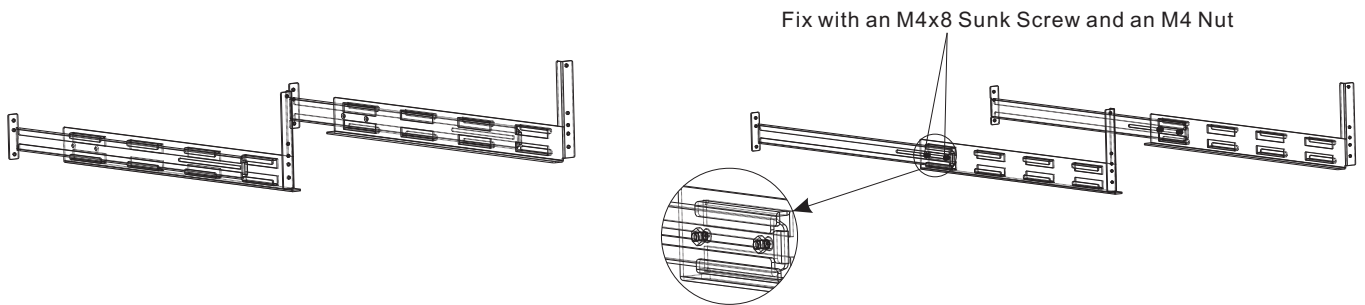


Figure 1 Connect Two Components of Guide Rail

Figure 2 For Columns Distance Larger than 825 mm (32.5 inch)

2. Respectively connect the two guide rails and the four columns via three M4 × 10 screws for connecting columns and base for each column. If the columns distance is larger than 825mm (32.5 inch), fasten the M4 × 8 sunk screws and the M4 nut installed in step 1, as shown in Figure 3.

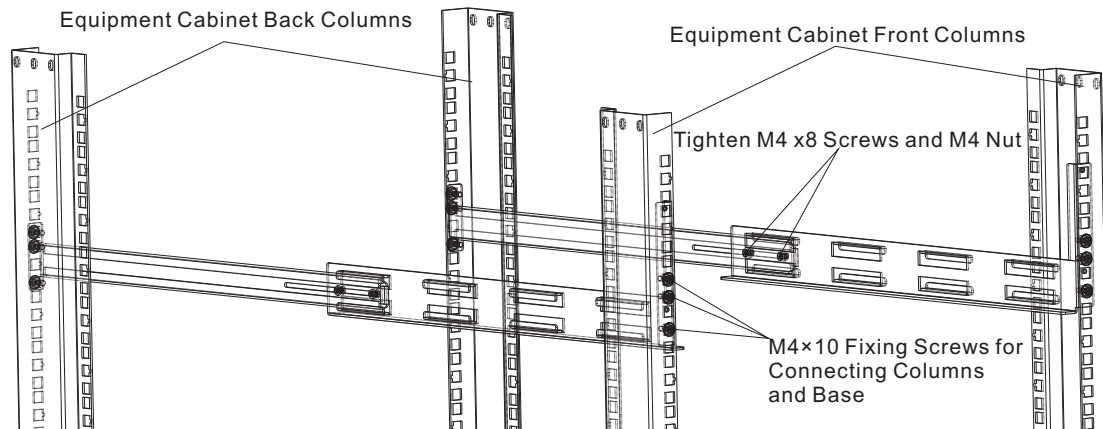


Figure 3 Guide Rail and Equipment Cabinet Columns Connection

3. The guide rail is applicable to 3U and 4U chassis devices.

(1) Device of 3U chassis and with brackets: place the device at the guide rail and push it to bottom. Use an M4 × 22 screw to fasten the front panel screw hole in each device bracket, as shown in Figure 4.

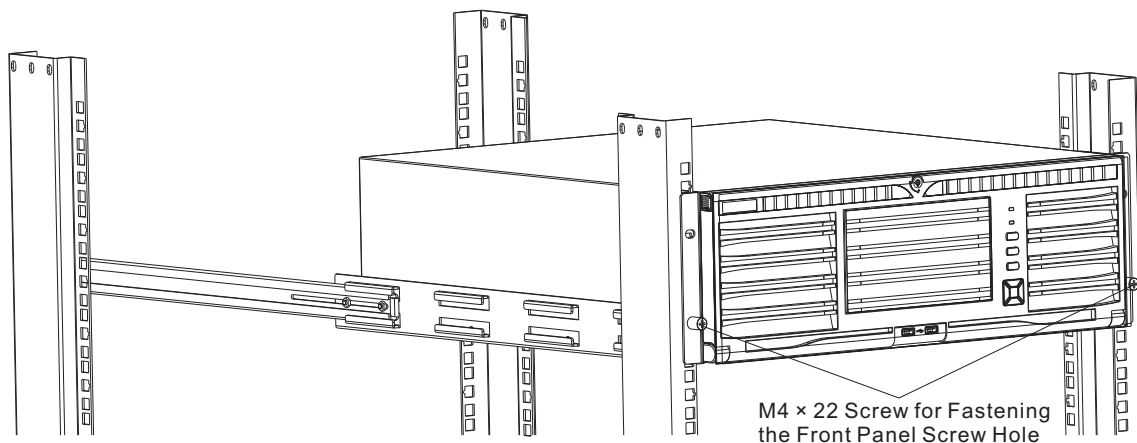


Figure 4 Fix the 3U Chassis Device with Brackets in Equipment Cabinet

(2) Device of 3U chassis and with mounting ears: Place the device at the guide rail and push it to bottom. Use an M4 × 22 screw to fasten the screw hole in the top of each mounting ear, as shown in Figure 5.

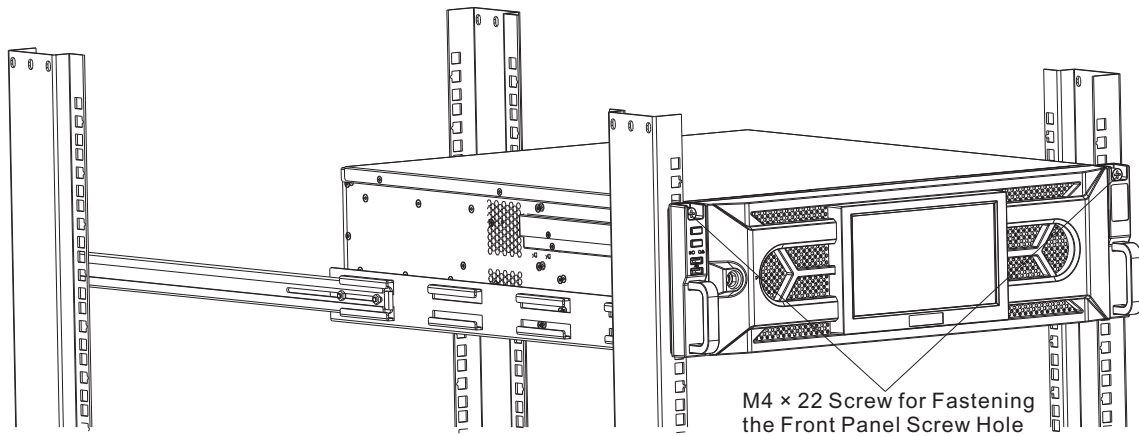


Figure 5 Fix the 3U Chassis Device with Mounting Ears in Equipment Cabinet

(3) 4U chassis device: Fix an equipment cabinet combination nut on the third hole counting from up to down of each guide rail, as shown in Figure 6.

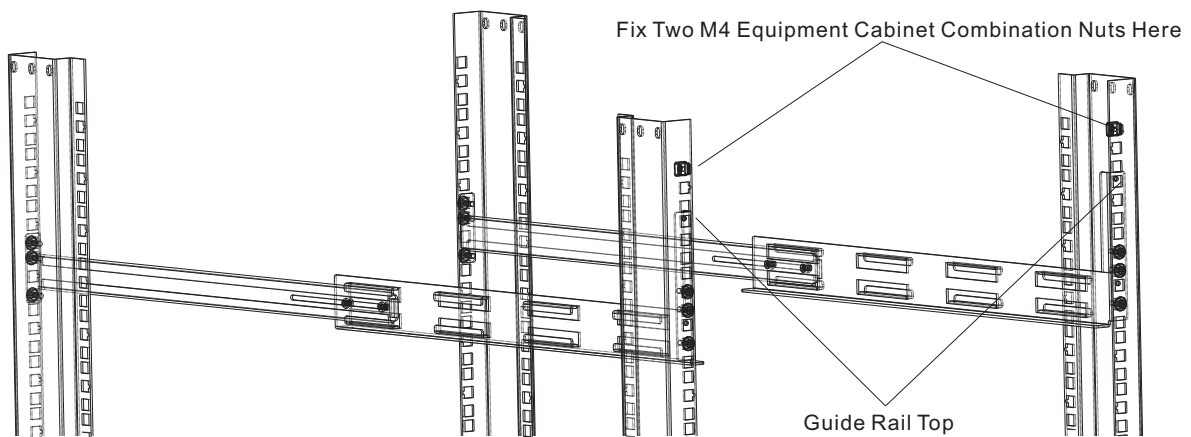


Figure 6 Fix Nuts for 4U Chassis Device

Place the device at the guide rail and push it to bottom. Use an M4 × 22 screw to fasten the screw hole in the top of each mounting ear, as shown in Figure 7.

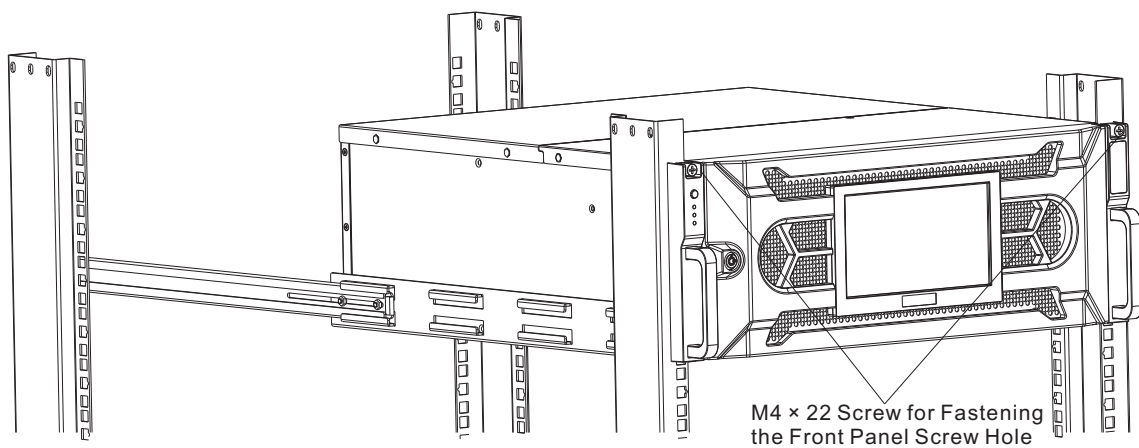


Figure 7 Fix the 4U Chassis Device in Equipment Cabinet