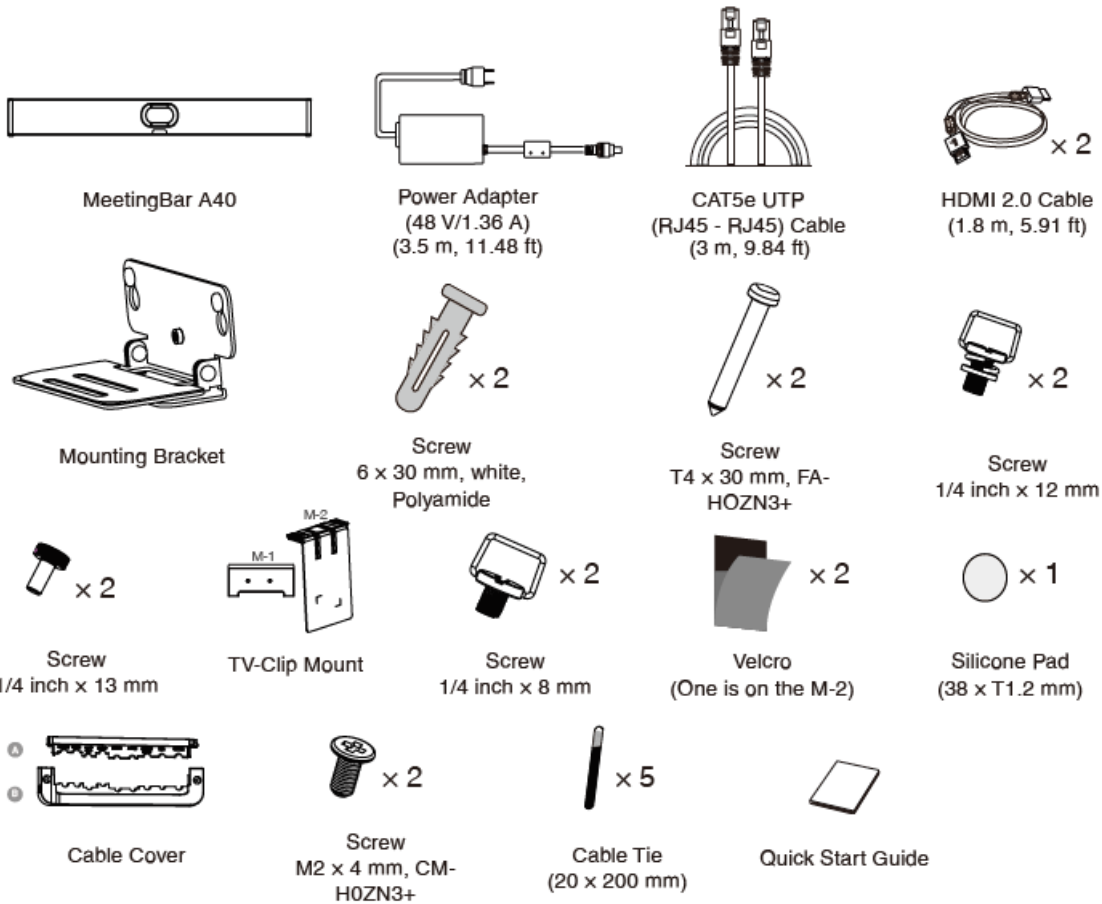


# MeetingBar A40 Deployment & Connection

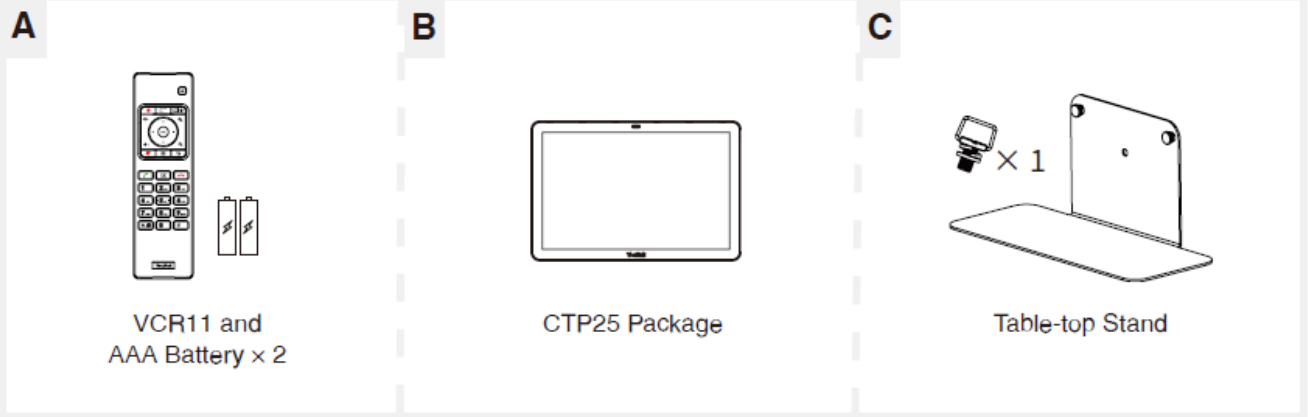
## Package Contents

**TIP**

For the MeetingBar A40 unboxing video, please refer to [Video: MeetingBar A40 Unboxing](#).



**Optional Packages**

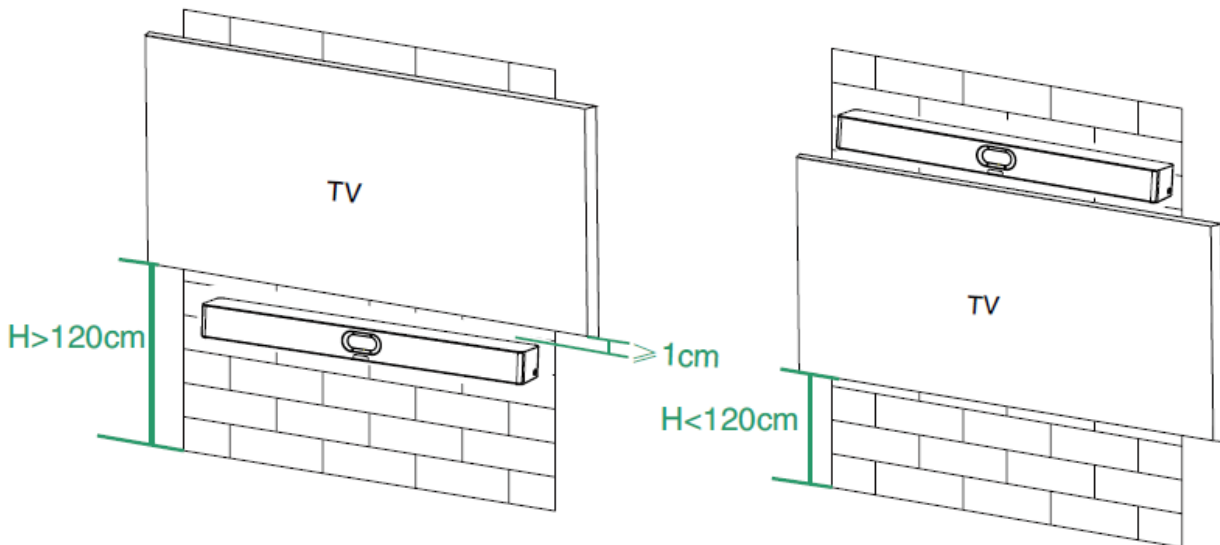


**Install MeetingBar A40**

**Mount on a Wall**

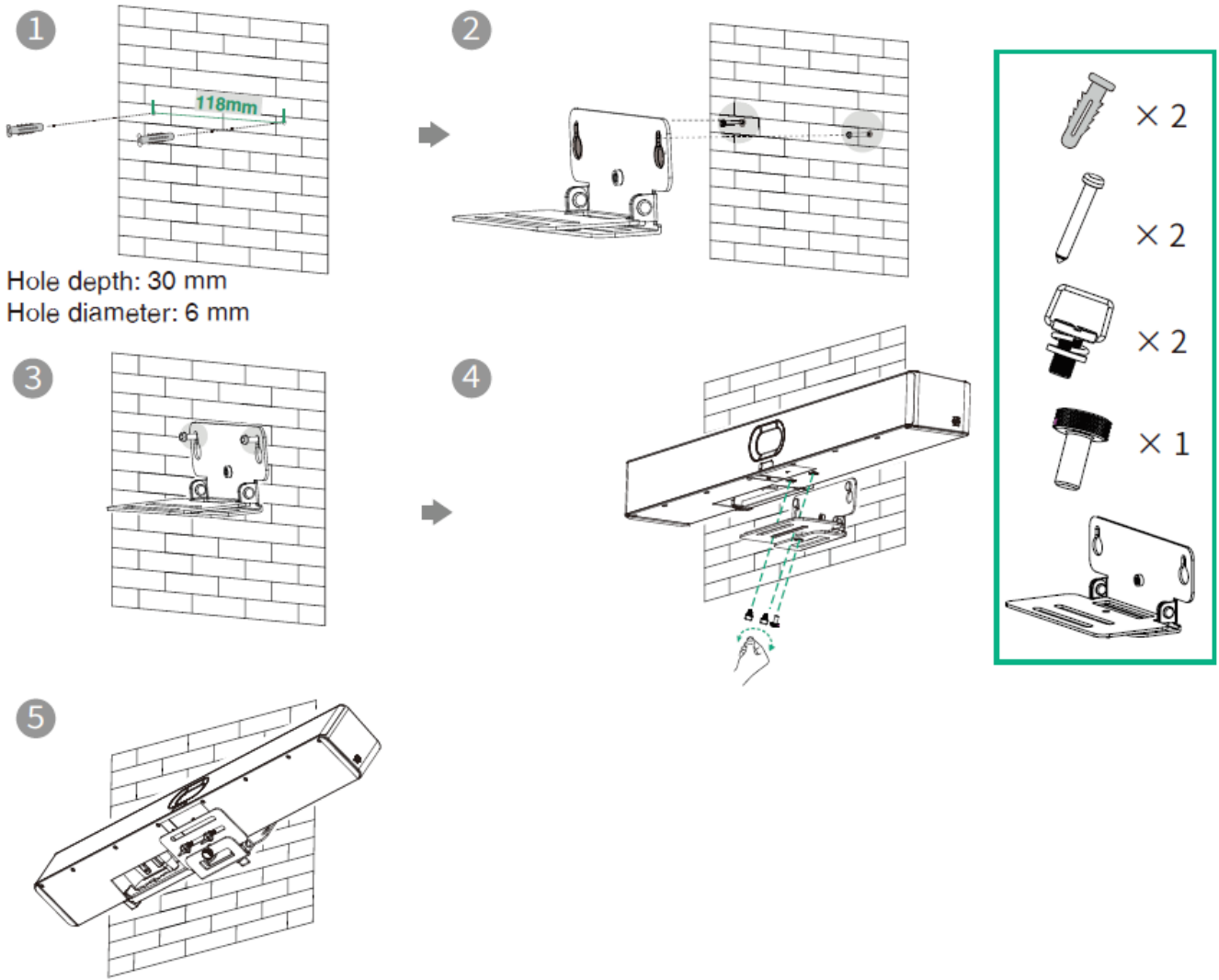
**1. Determine A40 Position**

The mounting height affects your camera view. The recommended installation height is 110 cm above the ground, and the distance between the A40 and the TV should be greater than 1 cm.



**2. Mount the A40 to the Wall**

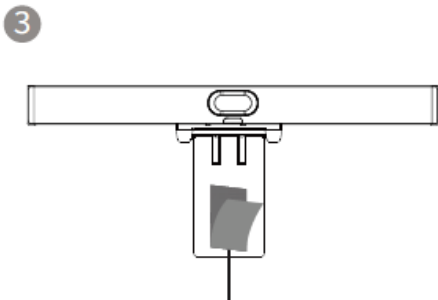
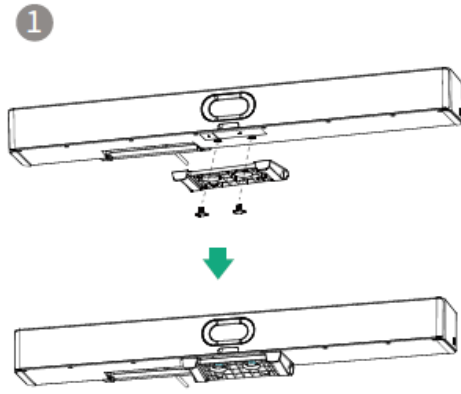
- Hole depth: 6 mm, hole diameter: 30 mm.



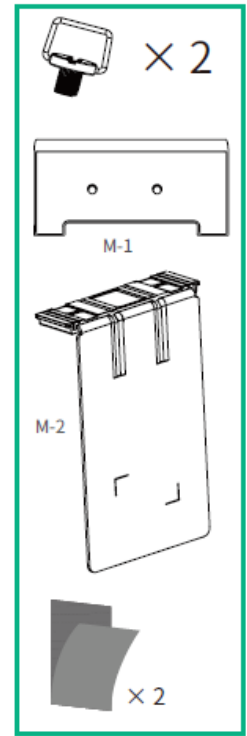
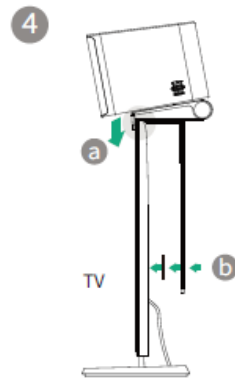
**Mount above a TV or Display**

**NOTE**

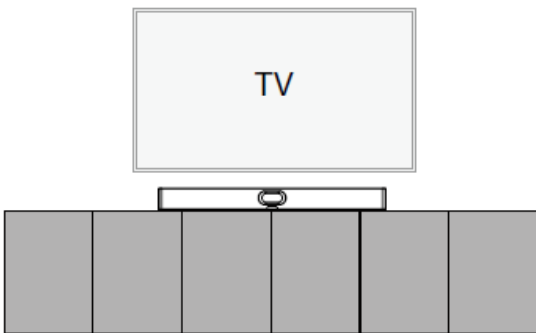
- The M-2 bracket can be inserted into the M-1 bracket in two directions. This illustration focuses on one direction.
- Due to the device's weight, avoid mounting on slim TVs to prevent potential falls or screen damage.



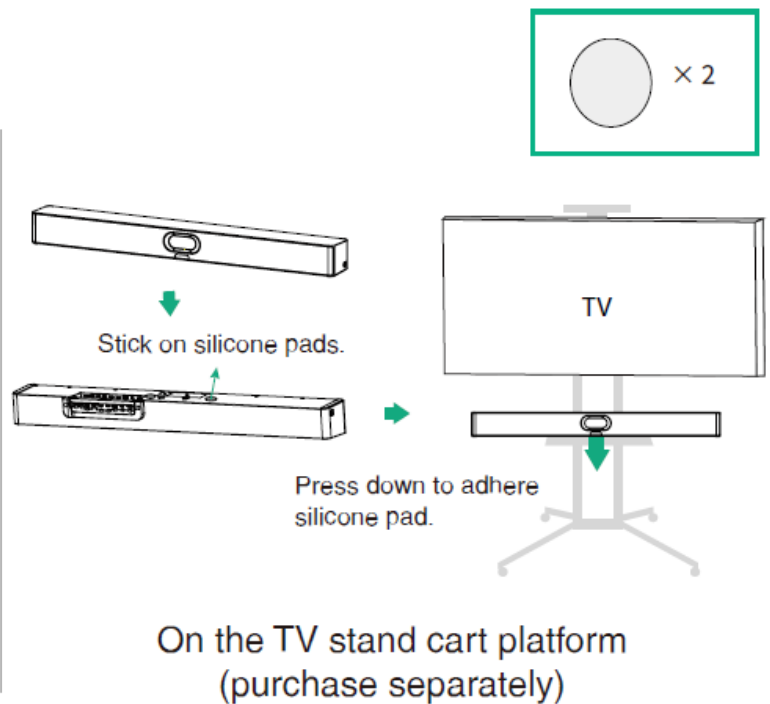
Velcro A is posted on the inside of M-2 by default



Place on a Flat Surface



On the desk



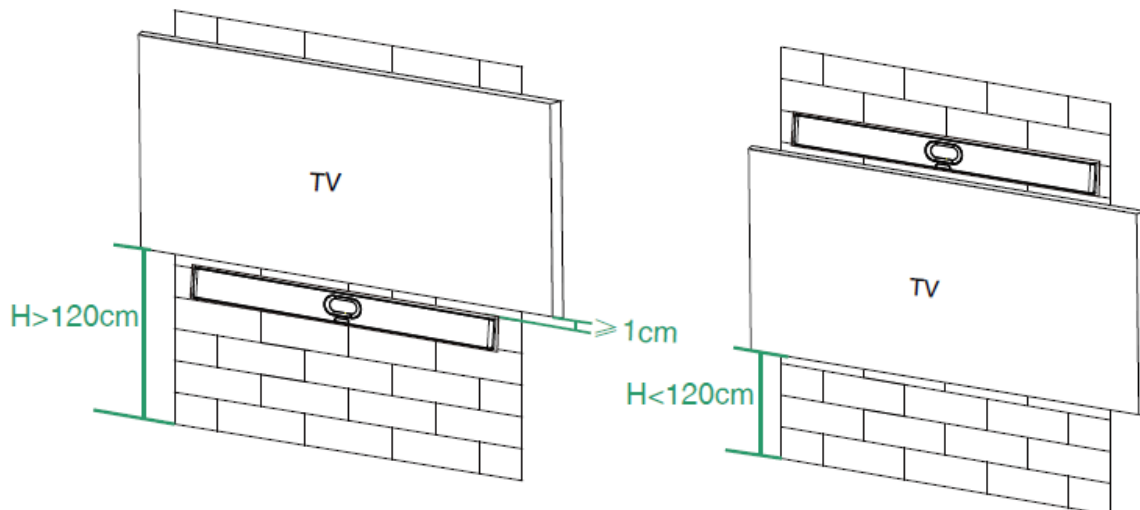
On the TV stand cart platform (purchase separately)

## Embed in the Wall

### NOTE

- Mounting height affects your camera view. The recommended installation height is 110 cm above the ground.
- Keep the front of the A40 flush with the wall surface.
- Recommended clearance on the left, right, and top sides of the A40 is less than 0.5 cm.
- Leave a  $5 \pm 0.5$  cm distance between the back of the A40 and the wall surface for cable connections.

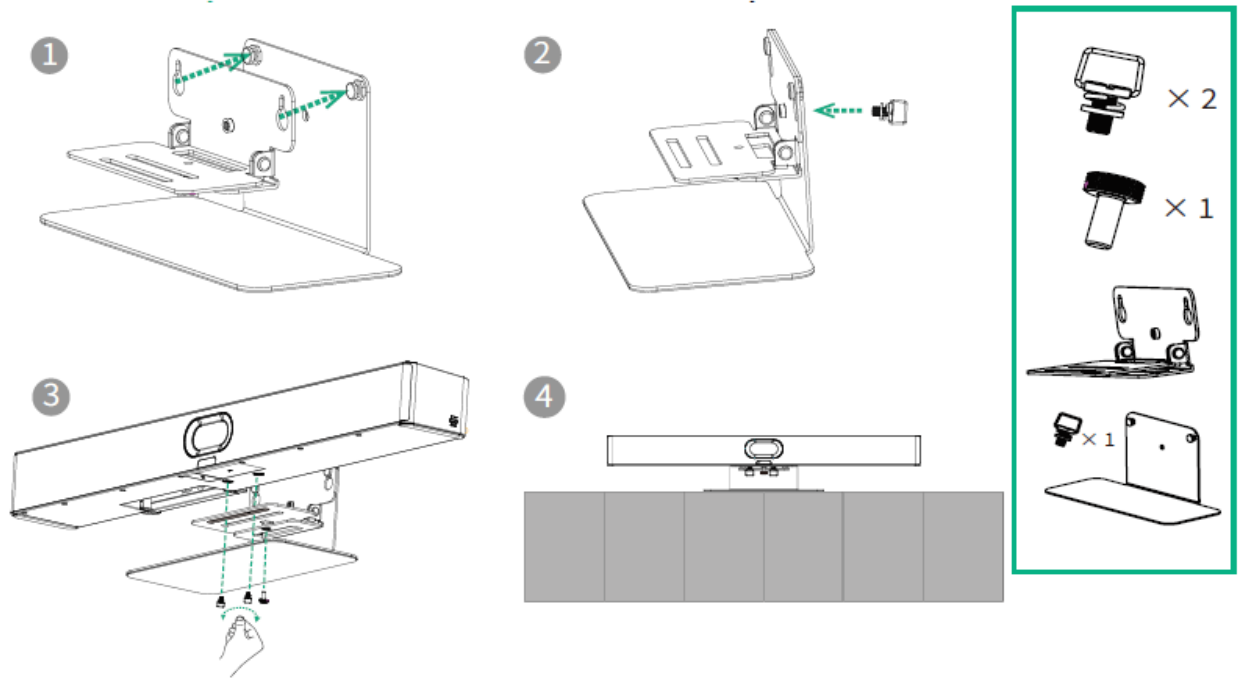
- The mounting height affects your camera view. The recommended installation height is 110 cm above the ground.
- Keep the front of the A40 flush with the wall surface.
- The recommended on the the left, right, and top sides of the A40 is less than 0.5 cm.
- Leave a  $5 \pm 0.5$  cm distance between the back of the A40 and the wall surface for cable connections.



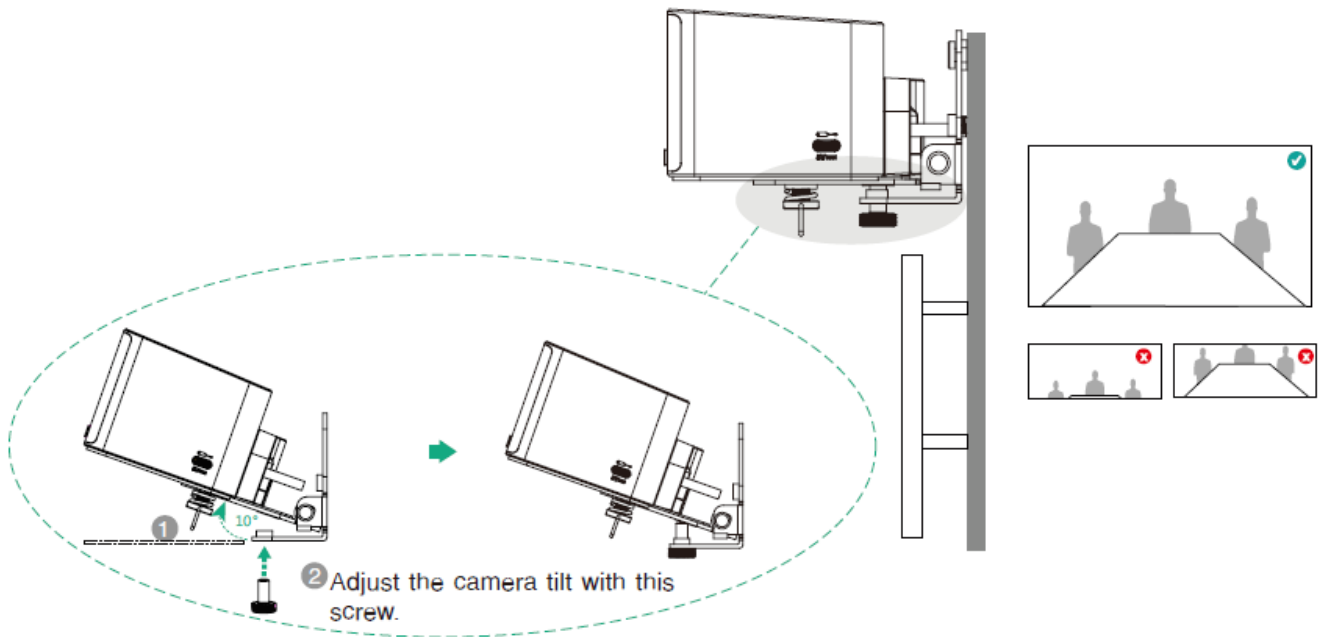
## Mount on Table-Top Stand

### NOTE

Refer to [Adjust Camera Tilt](#) section for bracket adjustment.



### Adjust Camera Tilt



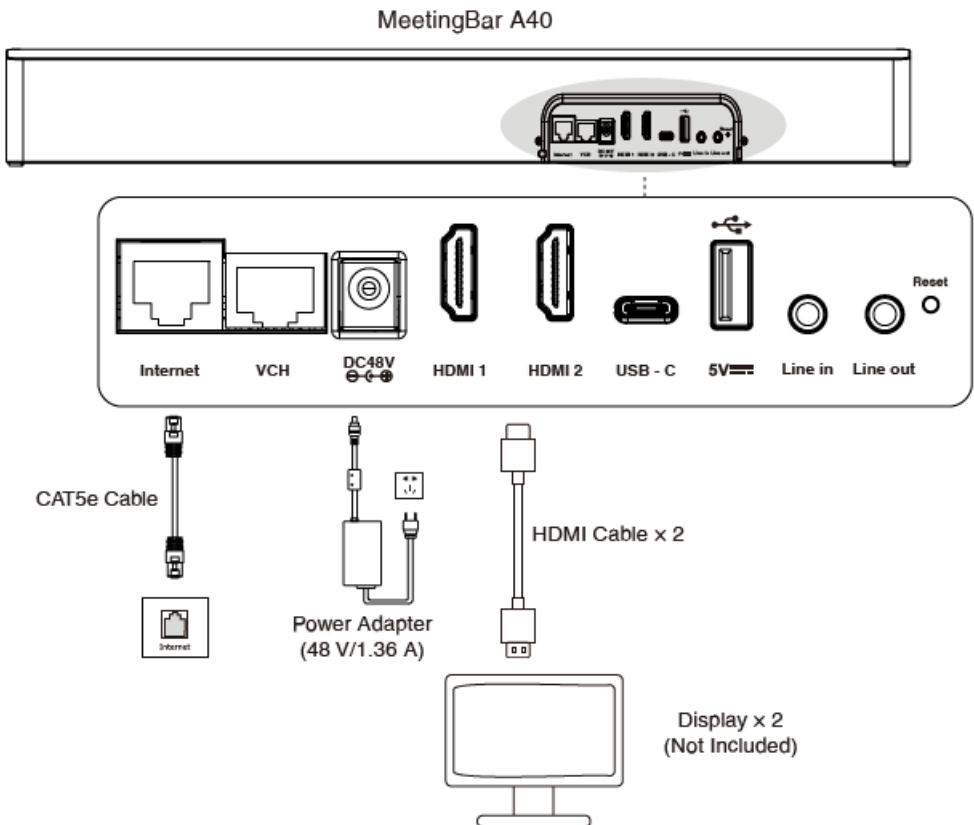
### Understand Each Port

Refer to [Hardware Introduction](#) for details.

### Connect/Pair MeetingBar A40

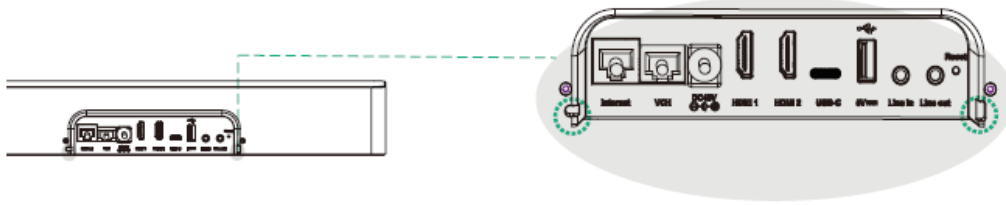
**NOTE**

- For connecting Yealink CTP Touch Panel:
  - For optimal pairing, connect Yealink MeetingBar and then Yealink CTP Touch Panel.
  - The Yealink CTP Touch Panel can be powered via PoE.
  - Yealink MeetingBar and Yealink CTP Touch Panel must be on the same LAN or connected to the same Wi-Fi.
- If you only use one display, please connect to the HDMI 1 port.



**Assemble Cable Cover**

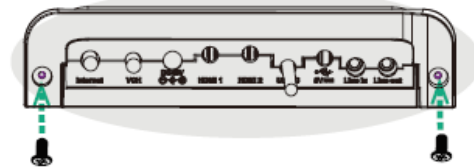
1 Find the two slots on the back of A40.



2 Fit part A of the cable cover into the slots.



3 Assemble part B and fix the screws.



### Understand the LED Status

MeetingBar LED Status	Description
Off	The device is not powered on.
Solid green	<ul style="list-style-type: none"> <li>The device is initializing.</li> <li>The device is working (calling/sharing content).</li> </ul>
Flash green	The device has incoming calls.
Solid red	The device is muted.
Solid orange	The device is idle.
Flash orange	The device is upgrading firmware.

### Next Step

When deployment and connection is complete, refer to [Quick Setup](#) to complete the setup wizard.