

GV-CS1320 2MP H.264 Camera Access Controller with a built-in Reader



Introduction

GV-CS1320 is an access controller with a built-in 2 MP camera and 13.56 MHz reader.

GV-CS1320 recognizes identification cards and grants access to up to 40,000 users accordingly. With the integration of the wide angle camera, the Card and Face Mode enables GV-CS1320 to perform face detection together with card verification before access can be granted.

Visitors requesting entry permits can use the touch pad to be granted access. There are 3 types of notifications the operators can receive to grant access.

1. GV-ASNotify Program:

When GV-CS1320 is connected to GV-ASManager over the network, GV-ASNotify generates a notification message and snapshot whenever the touch pad is activated. The operator can use GV-ASNotify to watch live view and communicate with the surveillance site via the microphone and speaker functions.

2. GV-Access Mobile App:

Similarly, the operator can launch mobile app GV-Access to enable live view and voice communication with visitors at the door before permitting entry. After adding GV-ASManager to GV-Access, the operator will get an alert notification upon the trigger of the touch pad.

For details on iOS, see: <http://www.geovision.com.tw/product/GV-Access%20for%20iOS>

For details on Android, see: <http://www.geovision.com.tw/product/GV-Access%20for%20Android>

3. VoIP Calls:

When the touch pad is activated, GV-CS1320 will place a call to the operator through the Internet using VoIP. The operator can then communicate with the visitor and enter the access code to open the door.

The all-in-one solution eliminates the need of installing and maintaining a separate camera in addition to the card reader and a door entry system.

For the face to be detected by GV-CS1320, the cardholders must present their face without covering by accessories.



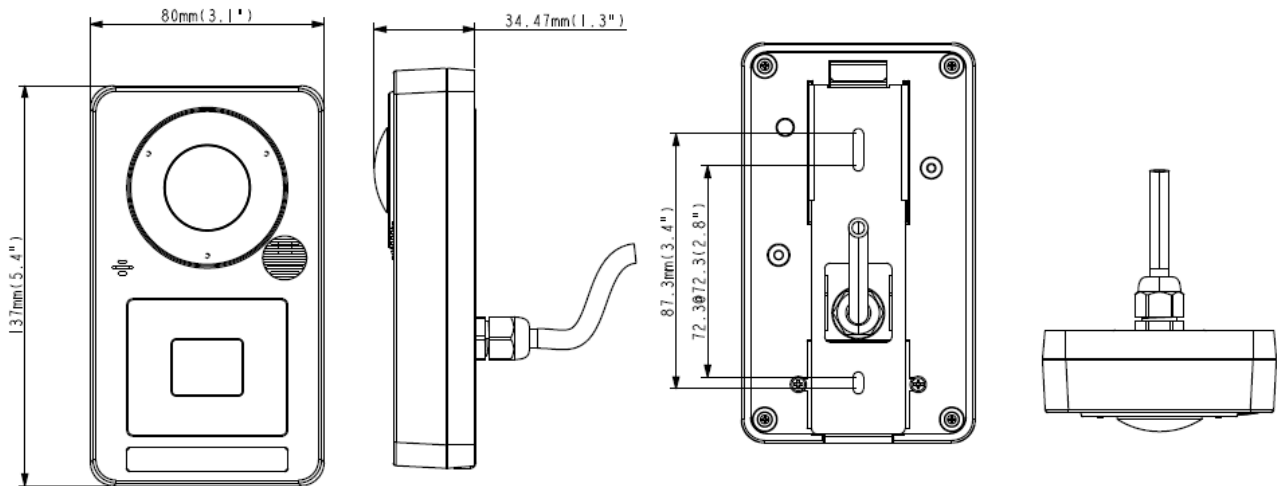
No Face, No Access

3 types of notifications (SIP/VoIP Calling, GV-ASNotify PC program, GV-Access Mobile App) are available for the operator to communicate with the visitors and grant access.

Manage Visitors



Dimensions



Key Features

Camera

- 2 MP progressive scan super low lux CMOS
- Minimum illumination at 0.02 lux
- Dual streams from H.264 and MJPEG
- Up to 15 fps at 1920 x 1080
- Day and night function (with removable IR-cut filter)
- Built-in IR with effective distance up to 3 m (9.84 ft)
- Ingress protection (IP66)
- 12V DC, 2.5A / PoE+ (IEEE 802.3at)
- Built-in microphone and speaker
- Wide Dynamic Range (WDR)
- Built-in micro SD card slot
- Provides 180° panorama view
- ONVIF (Profile S, C) conformant

Reader

- Built-in 13.56 MHz Reader (Mifare DESFire, MIFARE Plus and MIFARE Classic)
- Support for GV-Proximity Cards with GID (GeoVision Identifier) to enhance security
- Access by card plus face detection
- RS-485 and network interface for connecting up to 2 readers

Access Control

- Enabling different access control modes according to the Authentication Schedule: Card only mode (default), Card and Face Mode
- 1 door (one-way and two-way control)
- Bell button (touch pad) for talk mode
- Receiving live view and capturing snapshots when card is presented
- GV-Access for iOS or Android mobile devices
- Anti-passback (APB) support
- 2 inputs, dry contact (Door Sensor / Exit Button)
- 1 relay outputs (30V DC, 0.5A)
- Support for GV-I/O Box 4 Ports for sensor, alarm application and door bell activation

Specifications

Camera		
Image Sensor		1/2.8" progressive scan super low lux CMOS
Picture Elements		1920 (H) x 1080 (V)
Minimum Illumination	B/W	0.02 Lux

Shutter Speed	Automatic, Manual (1/5 ~ 1/8000 sec)	
White Balance	Automatic, Manual (2800K ~ 8500K)	
S/N Ratio	52 db	
Lens		
Megapixel	Yes	
Day / Night function	Yes (with removable IR-cut filter)	
Lens Type	Fixed	
Focal Length	1.7 mm	
Maximum Aperture	F/2.5	
Mount	M12	
Image Format	1/2.8"	
Horizontal FOV	180°	
IR LED Quantity	2	
Max. IR Distance	3 m (9.84 ft.)	
Operation		
Video Compression	H.264, MJPEG	
Video Streaming	Dual streams from H.264 and MJPEG	
Video Resolution	Stream 1	1920 x 1080 (16:9)
	Stream 2	640 x 360 (16:9)
Frame Rate	15 fps at 1920 x 1080 * The frame rate and the performance may vary depending on the number of connections and data bitrates (different scenes).	
Image Setting	Brightness, Contrast, Saturation, Sharpness, Gamma, White Balance, Image Orientation, Shutter Speed	
Audio Compression	G.711, AAC (Optional)	
Network		
Interface	10/100 Ethernet	
Protocol	HTTP, HTTPS, TCP, UDP, SMTP, FTP, DHCP, NTP, UPnP, DynDNS, 3GPP/ISMA RTSP, PSIA, SNMP, QoS (DSCP) , ONVIF (Profile S) and (Profile C)	
Mechanical		
Local Storage	Micro SD card	
Connectors	Power	2-pin terminal block
	Ethernet	Ethernet (10/100 Base-T), RJ-45 Connector
	Audio	Built-in microphone and speaker
	RS-485	RS-485 +, RS-485 -
General		
Operating Temperature	-20°C ~ 50 °C (-4 °F ~ 122 °F)	
Humidity	10% to 90% (no condensation)	
Power Source	12V DC, 2.5A / PoE+ (IEEE 802.3at)	
Maximum Power Consumption	25.5 W	
Regulatory	CE, FCC, RCM, RoHS compliant	
Dimensions	137 x 80 x 34.5 mm (5.4 x 3.15 x 1.36 in)	
Weight	315 g (0.69 lb)	
Ingress Protection	IP66	
Web Interface		
Installation Management	Web-based configuration	
Maintenance	Firmware upgrade through Web Browser or Utility	
Access from Web Browser	Camera live view, change video quality, bandwidth control, image snapshot, audio, picture in picture, picture and picture	
Language	English / French / Portuguese / Russian / Spanish / Traditional Chinese	
Applications		
Network Storage	GV-DVR / NVR / VMS	
Mobile Phone support	embedded 3GPP/ISMA browser	
Live Viewing	Browser (IE, Edge, Chrome, Firefox)	

Access Control / LPR Management	GV-ASManager
Controller	
CPU	32-bit RISC microprocessor
Number of User Cards	40,000 cards (networked mode)
Frequency	13.56 MHz for ISO14443A (Mifare DESFire, Mifare Plus and Mifare Classic)
Event Buffer	50,000 events and log data
RS-485 Interface	1 RS-485 interface for GV-Readers (max. 2 readers)
TCP/IP Interface	1 TCP/IP interface for GV-CR420, GV-GF1921 / 1922 and GV-FR2020 (max. 2 readers)
Communication Protocol	TCP/IP
Digital I/O	2 inputs, dry contact NO/NC 1 relay outputs (30V DC, 0.5A)
Supported ID Formats	Built-in GID and UID reader

Note:

1. To support face detection function, avoid placing the camera reader where the light source is directly behind the subject.
2. All specifications are subject to change without notice.

Packing List

- GV-CS1320
- Mounting Plate
- Standard Screw x 2
- Plastic Screw Anchor x 2
- Security Screw
- Torx Wrench
- Silica Gel Bag
- Micro SD Card 2 GB
- Software DVD
- Warranty Card

Options

Optional devices can expand the capabilities and versatilities of your GV-AS Controllers. Consult your sales representative for more information.

GV-Reader 1352 V2	GV-Reader 1352 V2 is a card reader that uses a 13.56 MHz frequency. It has both Wiegand and RS-485 outputs that can be connected to any standard access control panel.
GV-RK1352	GV-RK1352 is a card reader with keypad that uses a 13.56 MHz frequency. The reader has both Wiegand and RS-485 outputs that can be connected to any standard access control panel.
GV-R1352	GV-R1352 is a card reader that uses a 13.56 MHz frequency. The reader has both Wiegand and RS-485 outputs that can be connected to any standard access control panel.
GV-DFR1352	GV-DFR1352 is a card reader that uses a 13.56 MHz frequency. The reader has both Wiegand and RS-485 outputs that can be connected to any standard access control panel.
GV-GF Fingerprint Readers	GV-CS1320 is compatible with GV-GF1921 / 1922. The reader supports three operation modes: Fingerprint Only, Fingerprint + Card and Card Only. In Fingerprint Only mode, the fingerprints are enrolled through GV-ASManager. In Fingerprint + Card mode, the fingerprint templates are stored on the user card. In Card Only mode, the users only need to swipe the card to be granted access. Readers with optical and capacitance sensors are available.
GV-FR2020	GV-FR2020 is a face recognition reader that uses a 13.56 MHz frequency. The reader supports two operation modes: Face Recognition and Card. In Face Recognition mode, the user data are distributed through GV-ASManager to the assigned reader where the face templates are stored. In Card mode, the users must first have an ID number enrolled using GV-ASManager connected with the reader.
GV-CR420	GV-CR420 is a card reader with a built-in 4MP wide angle IP camera. The card reader recognizes identification cards and transmits live view through network connection.
Push Button Switch	The push button switch can be integrated with access control system, allowing door exit by momentarily activating or deactivating the electric locking device. Both American standard and European standard push buttons are available.
GV-IB25 / 65 / 85 Infrared Button	The GV-IB25 / 65 / 85 Infrared Button detects infrared movement within 3 to 12 cm and allows you to open the door with a wave of hand.

Electric Lock	Three types of electric locks are available: electromagnetic lock, electric bolt and electric strike.
GV-AS ID Card & GV-AS ID Key Fob	GV-AS ID Cards and GV-AS ID Key Fobs are ideal for business and residential environment, where access control is important for security reasons. 13.56 MHz cards and key fobs are available.
GV-WTR	GV-WTR is a converter designed to support Wiegand interface to RS-485 interface, thereby enabling 3rd party readers to be connected to RS-485 GV-Controllers. Through the GV-WTR, Wiegand-interface readers can be easily combined to access control systems for improved versatility.
Power Adapter	Contact our sales representatives for the countries and areas supported.
GV-I/O Box 4 Ports V1.2	A small but capable device, the GV-I/O Box 4 Ports V1.2 provides 4 inputs and 4 relay outputs. It supports both DC and AC output voltages, and provides a USB port for PC connection.