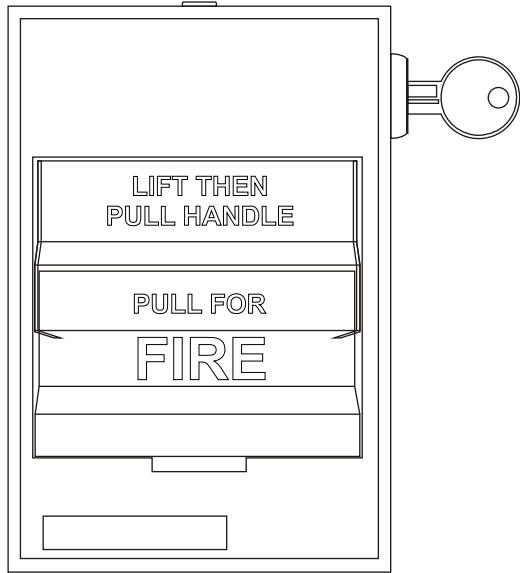


# GSA-M278 Double Action Fire Alarm Station Installation Sheet



## Description

The GSA-M278 Double Action Fire Alarm Station is an addressable, normally-open, dry contact signal initiating device that requires two user actions to initiate an alarm. First, the upper door marked LIFT THEN PULL HANDLE must be raised to access the alarm handle. Second, the alarm handle must be pulled to initiate an alarm. The single input module mounted on the back of the unit supervises the station and sends an alarm signal to the Signature controller when the switch is closed (i.e., when the handle is pulled).

The device requires one address on the signaling line circuit (SLC). Addresses are assigned electronically. There are no address switches.

Diagnostic LEDs provide a visible indication of the status of the module when the unit is removed from the electrical box.

- Normal: green LED flashes
- Alarm/active: red LED flashes

## Personality codes

The module requires the loop controller to download a personality code that determines how the module operates. Table 1 shows the personality codes available for the GSA-M278.

**Table 1: Personality codes**

Code	Description
1	Alarm - NO latching (Class B)
4	Active - NO latching (Class B)

## Installation

Install and wire this device in accordance with applicable national and local codes, ordinances, and regulations.

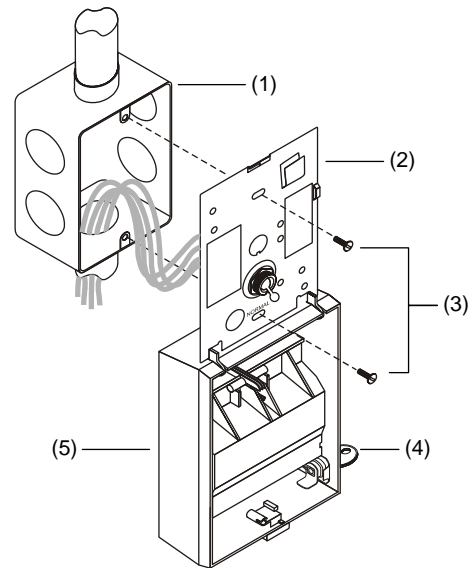
### Notes

- The device is shipped from the factory as an assembled unit; it contains no user-serviceable parts and should not be disassembled.
- This device will not operate without electrical power. As fires frequently cause power interruption, we suggest that you discuss further safeguards with your local fire protection specialist.
- Electrical supervision requires that the wire run be broken at each terminal. Do not loop the field wires around the terminals.

### To install the GSA-M278:

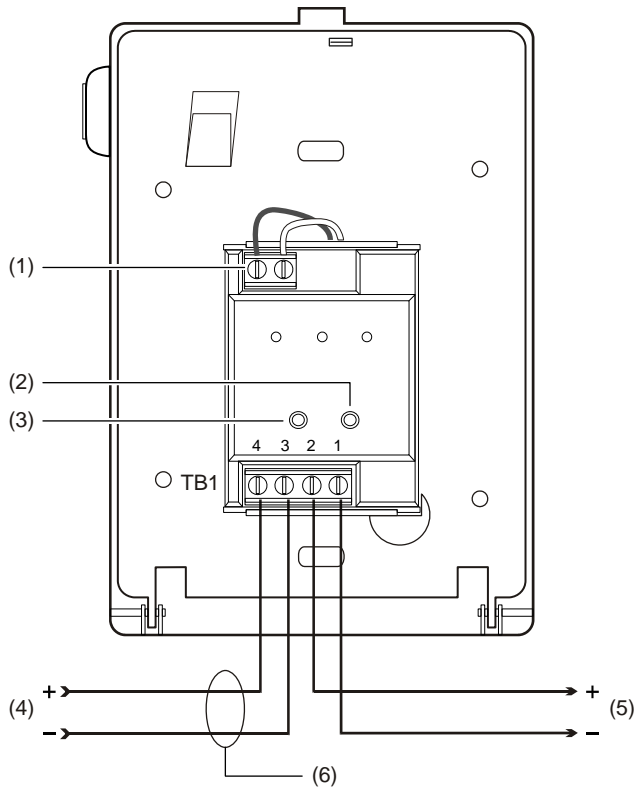
1. Insert the key into the cover lock and turn the key to open the station, rotating the cover away from the backplate.
2. Verify that all field wiring is free of opens, shorts, and ground faults.
3. Wire the module as shown in Figure 2.
4. Write the address assigned to the module on the label provided, and apply the label to the module. Remove the serial number label from the module, and then attach it to the project documentation.
5. Using the two #6-32 x 1/2 machine screws provided, mount the pull station on the electrical box.
6. Install the glass rod into the mounting brackets inside the cover.
7. Set the toggle switch on the backplate to the NORMAL position.
8. Rotate the cover back into position on the backplate, turn the key to secure the cover, and then remove the key.

**Figure 1: Mounting the GSA-M278**



- (1) Compatible electrical box
- (2) Backplate
- (3) #6-32 x 1/2 screw (2X)
- (4) Cover lock and key
- (5) Front cover

**Figure 2: Wiring diagram (rear view)**



- (1) Factory connections — do not alter
- (2) Green LED (normal)
- (3) Red LED (alarm/active)
- (4) Signaling line circuit (SLC) from previous device
- (5) Signaling line circuit (SLC) to next device
- (6) All wiring is power-limited and supervised. Refer to the Signature Controller Module installation sheet for wiring specifications.

## Specifications

Voltage	15.20 to 19.95 VDC
Current	
Standby	250 $\mu$ A
Activated	400 $\mu$ A
Wire size	12 to 18 AWG (1.0 to 4.0 mm <sup>2</sup> ). 16 and 18 AWG (1.0 and 1.5 mm <sup>2</sup> ) are preferred
Operating mechanism	Double action, pull lever
Construction	High impact plastic with steel backplate
Compatible electrical boxes	North American 2-1/2 in. (64 mm) deep single-gang box  Standard 4 in. square box 1-1/2 in. (38 mm) deep box with single-gang cover  276B-RSB red surface mount box
Operating environment	
Temperature	32 to 120°F (0 to 49°C)
Relative humidity	0 to 93% noncondensing
Replacement glass rods	P/N 276-GLR (pkg. 20 rods)

## Regulatory information

ADA	This device meets the ADA requirements for manual pull stations.
ULC requirements	To meet CAN/ULC-S527 ESD requirements, the device must be mounted in a grounded metal backbox.
FCC compliance	This device complies with part 15 of the FCC Rules. Operation is subject to the following two conditions: (1) This device may not cause harmful interference, and (2) this device must accept any interference received, including interference that may cause undesired operation.

## Contact information

For contact information, see [www.kiddelifesafety.com](http://www.kiddelifesafety.com)