

# FitDP-470D-R

Version 1.0

## 96F splicing, 4×1:2 micro-type splitter

FitDP-470D outdoor pre-connectorized fiber distribution box provides a protected access point between the distribution cable and the drop cable. Supporting two kinds of cable routing. FiberHome FitDP provides an ideal connection point to simplify the network installation and maintenance. In addition, 900 $\mu$ m pigtail type splitter could be equipped. With the protection grade of IP68, FitDP-470D outdoor pre-connectorized fiber distribution box is adaptable to any harsh environments.



\*Only for reference, refer to physical objects for more details

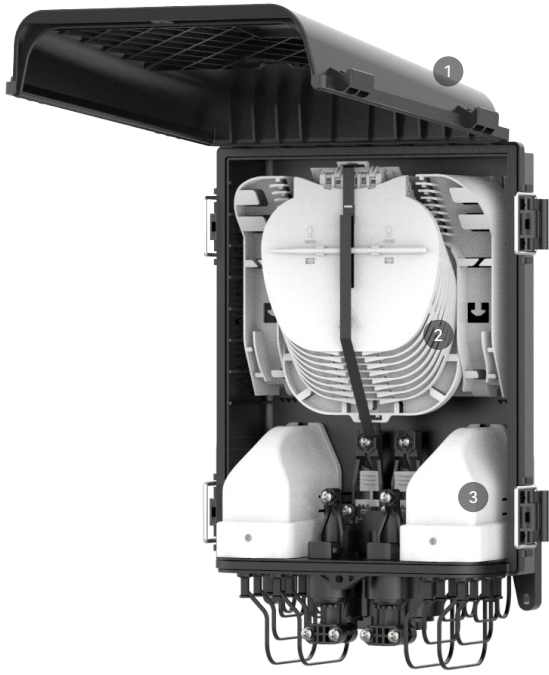
## Features

- Neat fiber management and good protection;
- Ultraviolet radiation resistance for high strength material with good weather adaptability;
- Quick and easy pluggable design at pre-connectorized port;
- Quick-plug cable installation provides convenience for product construction;
- High strength material with good environmental adaptability;
- Excellent sealing performance, waterproof, dustproof.
- Wall mounting, pole mounting and cable messenger mounting installation;
- Suitable for underground installation as ditches.

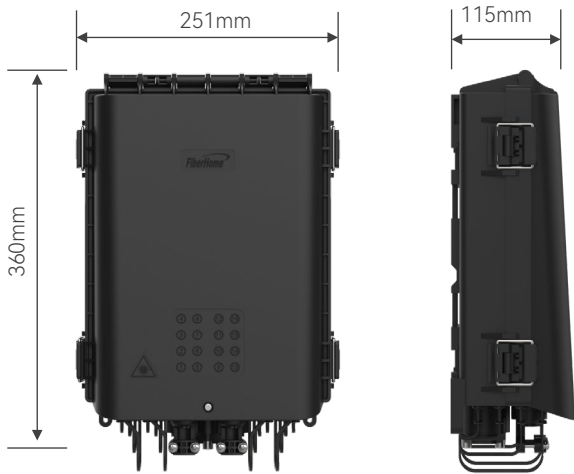
## Specifications

Item	Specification
Dimension (H × W × D)	360mm × 251mm × 115mm (±5mm)
Cable capacity	1 pair of mid-span cable + 2 pcs branch cable
Splitter	4×1:2 micro-type splitter
Color	Black
Splice capacity	Max. 96F
Fiber termination capacity	Max. 8 pcs (outdoor pre-connectorized)
Cable diameter	Φ10~18mm (mid-span) / Φ8~14mm (branch cable)
Ingress protection grade	IP68
IK resistance	IK09

## Product Details



No.	Name
1	Box cover
2	Splicing tray
3	Protective cover



No.	Name
1	Mid-span cable port
2	Branch cable port
3	Pre-connectorized port

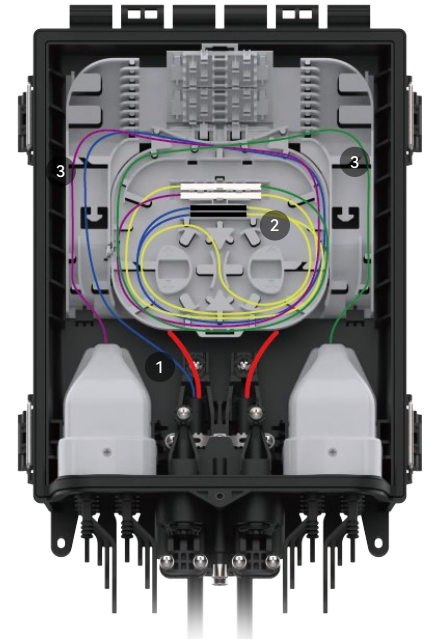
# Fiber Route

## Direct splicing



No.	Name
1	Mid-span cable
2	Mid-span cable (stripped)
3	Branch cable

## With 900µm pigtail type splitter



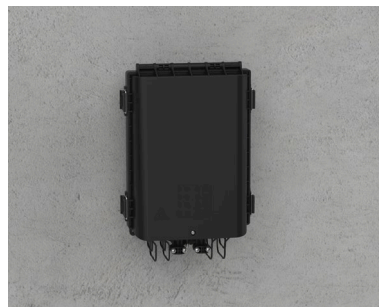
No.	Name
1	Mid-span cable (stripped)
2	Splitter (in)
3	Splitter (out)

# Installation Types

## Pole mounting



## Wall mounting



## Cable messenger mounting



## Pole mounting with bracket

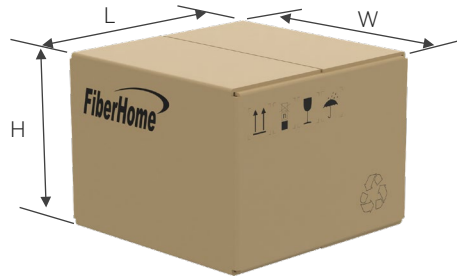


## Wall mounting with bracket



## Packaging

Item	Specification
Packaging type	Carton
Capacity	1 pc
L	520mm (±3mm)
W	255mm (±3mm)
H	125mm (±3mm)




\*The above information is for reference only, the actual packaging subject to customer needs

# Thank You for Choosing Our Products!

We appreciate your business. Your satisfaction is our goal. We will provide you with comprehensive technical support and after-sales service. Please contact your local sales representative, service representative or distributor for any help needed at the contact information shown below.

 [en.fiberhome.com](http://en.fiberhome.com)

 [marketing@fiberhome.com](mailto:marketing@fiberhome.com)

 800-880-0787 / 400-889-0787

 No.6, Gaoxin 4th Road, East Lake High-tech Development Zone, Wuhan, Hubei

All rights reserved © FiberHome Telecommunication Technologies Co., Ltd.

Without the written consent of FiberHome Telecommunication Technologies Co., Ltd no unit or individual is allowed to extract or copy any or all of the content of this datasheet without authorization, and shall not disseminate it in any form.

 **FiberHome**