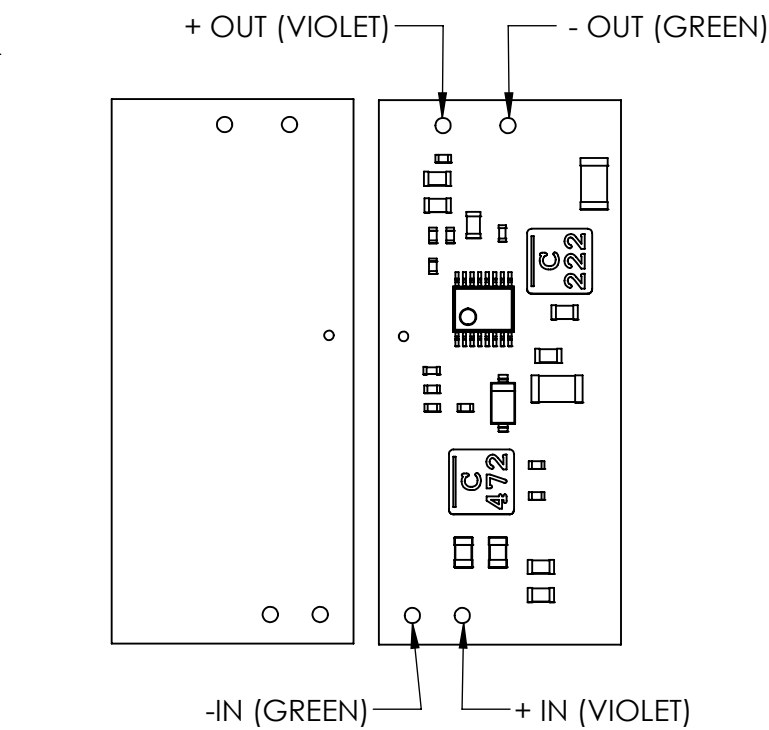
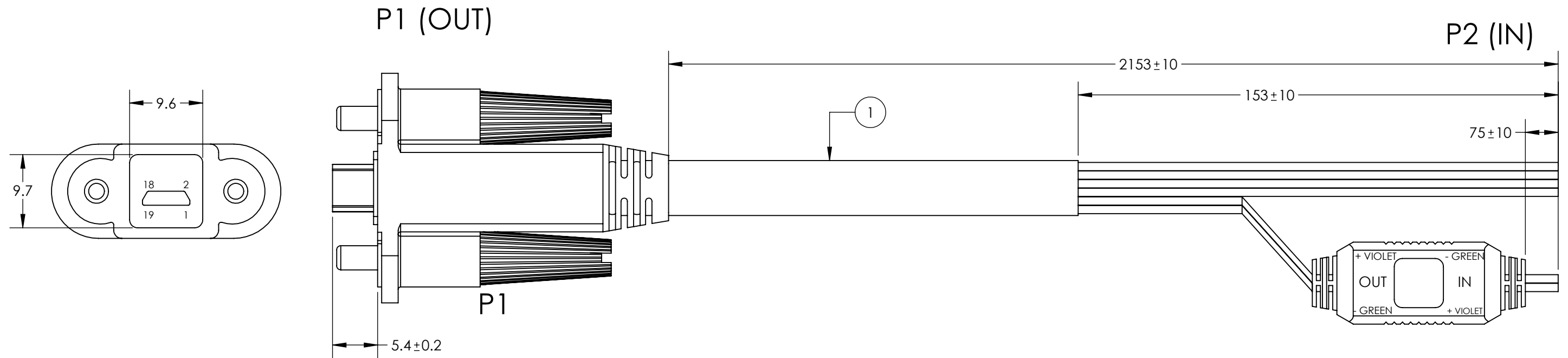
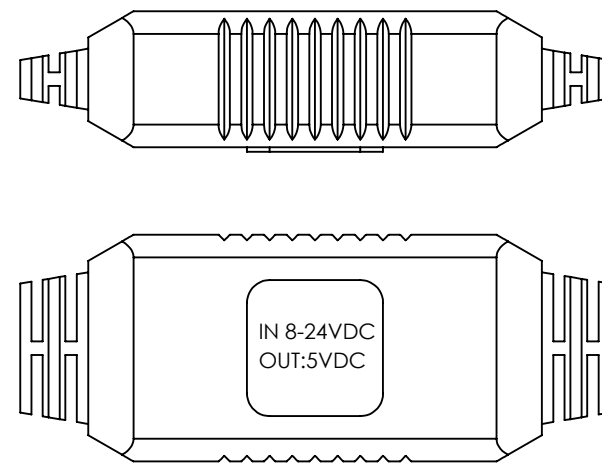


REVISIONS					
ZONE	REV.	ECO	DESCRIPTION	DATE	APPROVED
	A	1462	INITIAL RELEASE	11/25/2019	



PCBA 2350-0396-01



P1 (OUT)	COLOR	FUNCTION	P2 (IN)
1	BROWN	SETUP (HANDSHAKE FROM SERIAL DEVICE)	
2			
3	RED	RX	
4			
5	ORANGE	TX (TO SERIAL DEVICE BOX)	
6			
7	LT BLUE	DRY CONTACT 2	
8			
9	WHITE	DRY CONTACT 1	
10			
11	YELLOW	SOFT POWER DOWN (NORMALLY OPEN)	
12			
13	GREEN	GROUND (POWER -)	GREEN
14			
15	BLUE	GROUND	
16			
17			
18	VIOLET	LINE (POWER +)	VIOLET
19	VIOLET	LINE (POWER +)	VIOLET

CONFIDENTIAL:

THE INFORMATION CONTAINED IN THIS DRAWING IS THE SOLE PROPERTY OF GLOBALSTAR. ANY REPRODUCTION IN PART OR AS A WHOLE WITHOUT THE WRITTEN PERMISSION OF GLOBALSTAR IS PROHIBITED.

SCALE	2-D DRAWINGS ARE FOR REFERENCE ONLY. USE 3-D CAD DATA FOR PRODUCTION.	Proj Engr:	Date:	Drawn By: JOSE RODRIGUEZ	Date: 11/25/2019	<p>1351 HOLIDAY SQUARE BLVD COVINGTON, LA 70433 985-355-1514</p>	
MATERIAL	DIMENSIONS ARE IN MM. EXCEPT WHERE STATED, TOLERANCES ARE AS FOLLOWS:	Engr 1:	Date:	Prod Ctrl:	Date:		TITLE: SIC 8V-24V BARE WIRE CABLE
FINISH	ANGULAR: ±1/2° LINEAR: ±0.1 MM	Engr 2:	Date:	Doc Ctrl:	Date:		SIZE B DWG. NO. 2030-0310-01
						Sheet 1 of 1	