

AI Road Traffic Supplement Light Pro Bullet Plus Camera



[DATASHEET](#)



KEY FEATURES

- ▶ Superior Image Quality (Starlight Sensor, Smart IR II Technology, 4K Video Viewing Experience and high frame rate are supported for an excellent image quality.)
- ▶ Evidence Camera Linkage (Link with any regular cameras to capture the overview snapshots as evidence.)
- ▶ LPR Smart Search (Relevant videos can be found quickly by searching for only a portion of the target suspect vehicle's features, such as vehicle type & color, plate color, plate number and etc.)
- ▶ Traffic Flow Statistics (The vehicle counting result based on vehicle type, vehicle make and various vehicle features can be shown intuitively in camera's live view and the camera can also generate useful report insights to aid in improved decision-making.)

Traffic Violation Detection

AI-based road traffic cameras accurately detect and alert violation events such as No-plate Vehicle Detection, Specific Lane Detection, Speeding Detection, Reverse Driving Detection, Black/White List Detection and Vehicle Event Detection based on recognized vehicle features.



Intelligent AI-powered LPR Algorithm

The AI Road Traffic Supplement Light Pro Bullet Plus Camera can not only recognize vehicle plates in real time, but also identify more vehicle features, like vehicle type, color, etc., generating reliable traffic insights to improve safety and mobility.



Traffic Flow Statistics

Traffic flow statistics greatly enhance traffic management capabilities. The vehicle counting result based on vehicle type, vehicle make and various vehicle features can be shown intuitively in camera's live view and the camera can also generate useful report insights to aid in improved decision-making.



Integrated Supplement Light

Integrated with supplement light of IR LED Light or White LED Light, AI Road Traffic Supplement Light Pro Bullet Plus Camera could turn on and off the supplement light, and change the luminance of the supplement lighting automatically, achieving a flexible way for the monitoring control.



AI Road Traffic Supplement Light Pro Bullet Plus Camera



	Name	TS4466-X4RWE /W (4MP)	TS4466-X4RWE /R (4MP)	TS8266-X4WE /W (4K)	TS8266-X4WE /R (4K)
Camera	Image Sensor	1/1.8" Progressive Scan CMOS		1/1.8" Progressive Scan CMOS	
	Min. Illumination	Color: 0.002Lux@F1.6 B/W: 0Lux with IR on		Color: 0.009Lux@F1.6 B/W: 0Lux with IR on	
	WDR	140dB Super WDR		120dB Super WDR	
	Shutter Time	1/100000s~1s			
	Day/Night Mode	Day/Night/Auto/Customize/Schedule			
	S/N	>55dB			
Lens	Lens	8~32mm, 4X Optical Zoom			
	Field of View	H44°~H13°/D51°~D15°/V25°~V7°			
	Mount	Φ14			
	Focus Control	Auto/Manual			
	Aperture	F1.6-F1.7			
	Iris Control	Auto			
Road Traffic Management	Max. Vehicle Speed	100km/h			
	Recognition Accuracy	>95%			
	Coverage	2 lanes			
	Country Region Supported	More than 80 countries and regions			
	ANPR Distance	Up to 95m during the day; Up to 50m during the night with illumination		Up to 130m during the day; Up to 65m during the night with illumination	
	Attributes Identification	Plate Color, Vehicle Type, Vehicle Color, Vehicle Brand, No-plate Vehicle Capture, Vehicle Direction Detection			
	Smart Traffic Function	Evidence Camera Linkage, Specific Lane Management			
	White/Black List	Up to 20,000 records inside the camera			
	LPR Smart Search	Support			
Illuminator	Supplement Light	White LED Light	IR LED Light	White LED Light	IR LED Light
	Light Bead	6 (For White LED Light)	9 (For IR LED Light)	6 (For White LED Light)	9 (For IR LED Light)
	Illumination Distance	Up to 180m			
	IR Wave Length	-	850nm (Default); 740nm (Optional)	-	850nm (Default); 740nm (Optional)
	Light Control	Auto/Always On/Off/Customize			
Interface	Ethernet	1*RJ45 10M/100M Ethernet Port			
	Audio I/O	1/1			
	Alarm I/O	2/2			

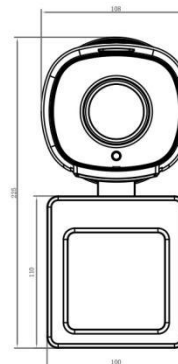
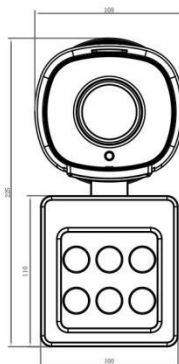
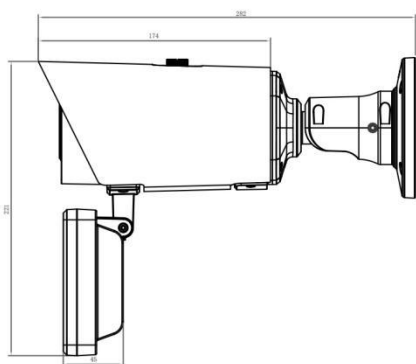
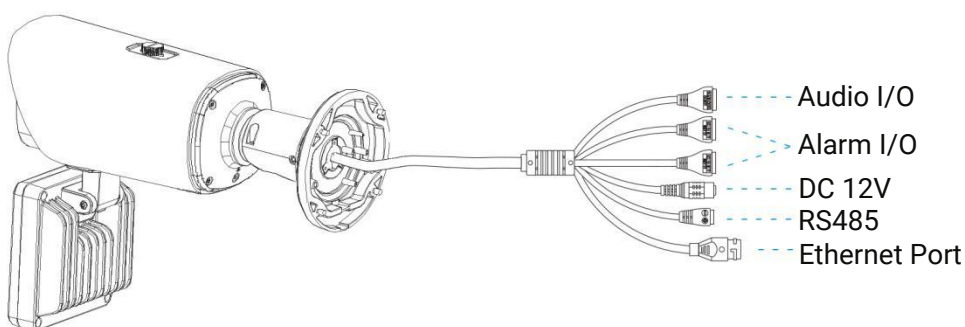
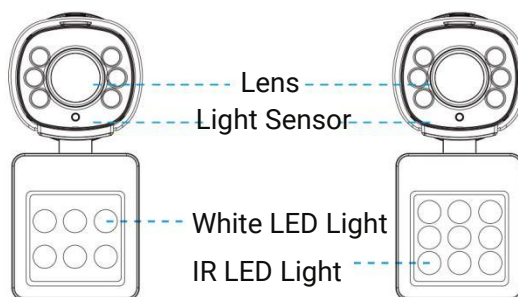
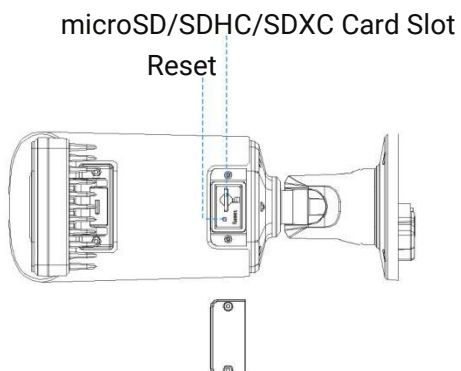
AI Road Traffic Supplement Light Pro Bullet Plus Camera



Video	Max. Image Resolution	2688x1520		3840x2160	
	Primary Stream	60Hz: 60fps@(2688x1520, 2304x1296, 1920x1080, 1280x720) 50Hz: 50fps@(2688x1520, 2304x1296, 1920x1080, 1280x720)		60Hz: 30fps@(3840x2160, 3072x2048, 2592x1944, 2592x1520, 2048x1536, 1920x1080, 1280x960, 1280x720, 704x576) 50Hz: 25fps@(3840x2160, 3072x2048, 2592x1944, 2592x1520, 2048x1536, 1920x1080, 1280x960, 1280x720, 704x576)	
Video	Secondary Stream	60Hz: 60fps@(704x576, 640x480, 640x360, 352x288, 320x240) 50Hz: 50fps@(704x576, 640x480, 640x360, 352x288, 320x240)			
	Tertiary Stream	60Hz: 30fps@(1280x720, 704x576, 640x480, 640x360, 320x240) 50Hz: 25fps@(1280x720, 704x576, 640x480, 640x360, 320x240)		60Hz: 30fps@(1920x1080, 1280x720, 704x576, 640x480, 640x360, 320x240) 50Hz: 25fps@(1920x1080, 1280x720, 704x576, 640x480, 640x360, 320x240)	
	Video Compression	H.265+/H.265(HEVC)/H.264+/H.264/MJPEG			
	Video Bit Rate	16Kbps~16Mbps(CBR/VBR Adjustable)			
	Privacy Masking	Up to 8 Areas (Mask Area and Mosaic Area are optional)			
	ROI	Up to 8 areas			
	Image Setting	Brightness/Contrast/Saturation/Sharpness			
Network	Network Storage	NAS(Support NFS, SMB/CIFS), ANR			
	Protocol	IPv4/IPv6, ARP, TCP, UDP, RTCP, RTP, RTSP, RTMP, HTTP, HTTPS, DNS, DDNS, DHCP, FTP, NTP, SMTP, SNMP, UPnP, Bonjour, SIP, PPPoE, VLAN, 802.1x, QoS, IGMP, ICMP, SSL			
Audio	Audio Compression	G.711/AAC/G.722/G.726			
	Audio Sampling Rate	8/16/32/44.1/48KHz			
	Audio Bit Rate	16~256kbps			
	Two-way Audio	Support			
System	System Compatibility	API, HTTP, TCP, Wiegand Protocol, ONVIF Profile G & M & S & T			
	Storage	Support microSD/SDHC/SDXC Card Local Storage, up to 1TB			
	Advanced Function	BLC, HLC, 2D DNR, 3D DNR, Defog, AWB, IP Address Filtering, AGC, Anti-flicker, Corridor Mode, Deblur, Watermark			
	SIP/VoIP Support	Yes, Voice & Video-over-IP			
	Event Trigger	Black/White List, Attributes Event, Motion Detection, Network Disconnection, External Input, Audio Alarm, etc.			
	Event Action	FTP Upload, SMTP Upload, SD Card Record, External Output, SIP Phone, HTTP Notification, etc			
General	Working Temperature	-40°C~60°C			
	Working Humidity	5~90%(Non-condensing)			
	Power Supply	DC 12V / 3A ± 10% (Non-PoE)			
	Power Consumption	4W MAX 28W MAX (For White LED Light)	4W MAX 28W MAX (For IR LED Light)	5W MAX 31W MAX (For White LED Light)	5W MAX 31W MAX (For IR LED Light)
	Surge Protection	4KV			
	Weather Proof	Up to IP67-rated for Weather-resistant Performance			
	Housing	Vandal-proof IK10-rated Metal Housing (Without Supplement Light)			
	Surge Protection	4KV			
	Weight	1445.8g 2100g (With Supplement Light)			
	Dimensions	282mmX108mmX120mm 282mmX108mmX225mm (With Supplement Light)			
	Warranty	3/5 Years			



Structure Diagrams



Units: mm

Accessories Support

A62 Junction Box

Weight: 510g

Dimensions: 134*126*40mm



A01 Pole Mount

Weight: 720g

Dimensions: 170*51.5*152.6mm



A03 External Corner Bracket

Weight: 900g

Dimensions: 170*152.5*76.3mm

