

# Weather-Resistant Mushroom-Cap Request-to-Exit Plate

Please read the manual carefully before beginning installation.

### SD-7201GCPE1Q

Green button, "EXIT" and "SALIDA", SPDT

### SD-7201GC-PEQ

Green button, "PUSH TO EXIT", SPDT

### SD-7201GFPE1Q

Green button, "EXIT" and "SALIDA", DPDT

### SD-7201GAPT1Q

Green button, "EXIT" and "SALIDA", SPDT, Timer

### SD-7217GWQ

Green button, SPDT, with white plate

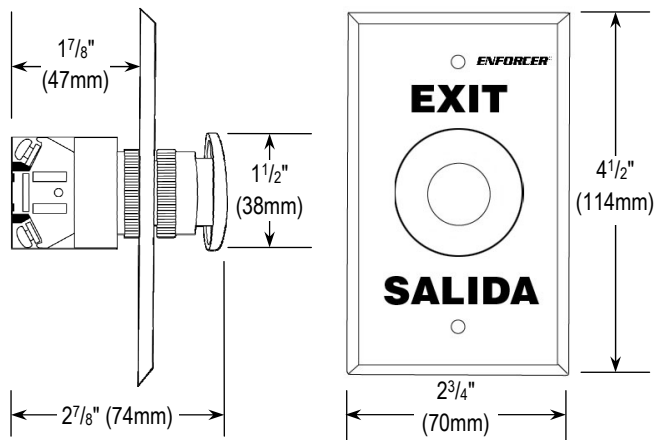
### SD-7201RCPE1Q

Red button, "EXIT" and "SALIDA", SPDT

### Features:

- Weather-resistant mushroom-cap push-button is ideal for a number of outdoor access situations
- 1½" (38mm) diameter mushroom-cap (green or red)
- Single-gang plate
- Contact rating: 50A@24VAC, 3A@24VDC\*

### Dimensions:



\*SD-7201GAPT1Q only

### SECO-LARM® U.S.A., Inc.

16842 Millikan Avenue, Irvine, CA 92606

Phone: (949) 261-2999 | (800) 662-0800 Fax: (949) 261-7326

Website: [www.seco-larm.com](http://www.seco-larm.com) Email: [sales@seco-larm.com](mailto:sales@seco-larm.com)



SD-7201GC-PEQ



SD-7201GCPE1Q  
SD-7201GF-PE1Q  
SD-7201GAPT1Q



SD-7217GWQ



SD-7201RCPE1Q

## Placas tipo Hongo Resistente a la Intemperie

Por favor lea el manual antes de usar el equipo.

**SD-7201GCPE1Q**

Botón verde, "EXIT" y "SALIDA", SPDT

**SD-7201GC-PEQ**

Botón verde, "PUSH TO EXIT", SPDT

**SD-7201GFPE1Q**

Botón verde, "EXIT" y "SALIDA", DPDT

**SD-7201GAPT1Q**

Botón verde, "EXIT" y "SALIDA", SPDT, Temporizador

**SD-7217GWQ**

Botón verde, SPDT, con placa Blanco

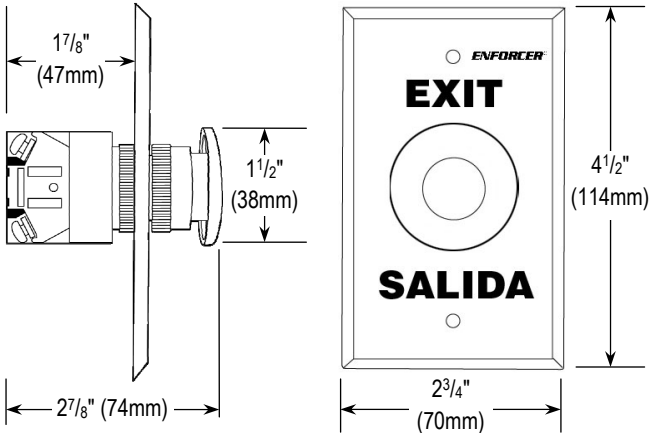
**SD-7201RCPE1Q**

Botón rojo, "EXIT" and "SALIDA", SPDT

**Características:**

- Placa tipo hongo resistente a la intemperie es idea para arias situaciones de acceso exterior
- Botón en forma de hongo (verde o rojo) de diámetro 1 1/2" (38mm)
- La cara de la placa es de acero inoxidable
- Ambas palabras "EXIT" y "SALIDA" están escritas en la placa
- Consumo de corriente: 50A@24VCA,3A@24V C.C.\*

**Dimensiones:**



\*SD-7201GAPT1Q solamente



SD-7201GC-PEQ



SD-7201GCPE1Q  
SD-7201GF-PE1Q  
SD-7201GAPT1Q



SD-7217GWQ



SD-7201RCPE1Q